



## Features

Frequency range :

External dimensions (mm)

L : 2.55 x W : 2.05 x H : 0.6

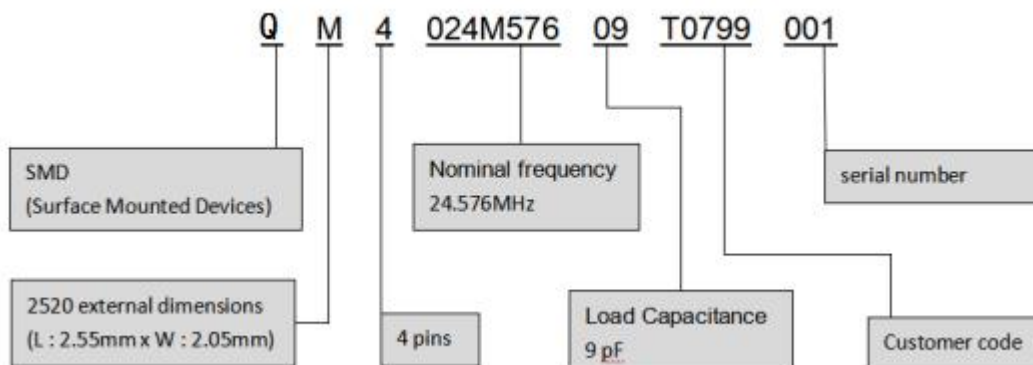


## Electrical Characteristics

NO.	Parameters		Specifications	Notes
1	Nominal frequency	F0	19.200~26.000MHz	Or customizable
2	Mode of Oscillation	-	Fundamental	AT-CUT
3	Load Capacitance	CL	4~25pF	Or customizable
4	Frequency Tolerance	FL	$\pm 10$ ppm	Or customizable
5	Frequency Stability	TC	$\pm 30$ ppm	Or customizable
6	Operating Temperature	-	-40℃~+85℃	Or customizable
7	Drive Level	DL	100uW	Or customizable
8	Effective Resistance	RR	40Ω	Or customizable
9	Shunt Capacitance	C0	$\leq 3.0$ pF	
10	Insulation Resistance	IR	$\geq 500$ M Ω	at DC 100V
11	Spurious Ratio	SPDB	$\leq -3$ dB	F0 $\pm 500$ KHz
12	Aging	-	$\pm 2$ ppm	Or customizable
13	Storage Temperature Range	-	-55~+125℃	

★Note: If you need customization, please communicate with us.

## Ordering Information



地址：安徽省合肥市经开区云谷路 2569 号

ADD: No. 2569 YunGu Road, HeFei Economy &amp; Technology Development District

Mail: [chehangyuan@hf.jwt.cn](mailto:chehangyuan@hf.jwt.cn)

http: //www. hf. jwt. cn



# SPECIFICATION FOR APPROVAL

CRYSTAL UNIT

### Curve Fitting Parameters

The FT curve of an AT-cut crystal can be modeled as a third-order polynomial.

$$F(T)=C3(T-T0)3 +C2(T-T0)2+C1(T-T0)+C0$$

C0 : ±10 ppm

C1 : -0.4 ~ -0.1 ppm/°C

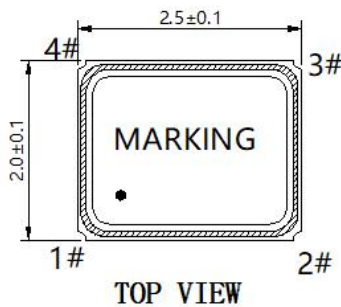
C2 : -4.5 x 10-4 ~ 4.5 x 10-4 ppm/°C<sup>2</sup>

C3 : 8.5 x 10-5 ~ 11.5 x 10-5 ppm/°C<sup>3</sup>

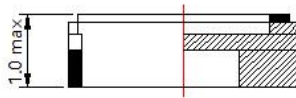
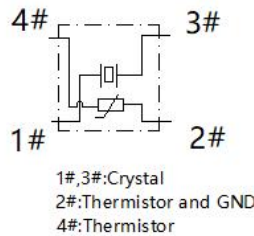
### Crystal perturbation specification 2 (small orbit hysteresis 2)

Item	Condition	Specification	Unit
5 °C small orbit hysteresis 2*	Ta = -30°C to +85°C	100 (magnitude)	ppb pk-pk

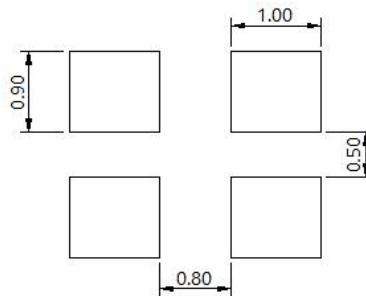
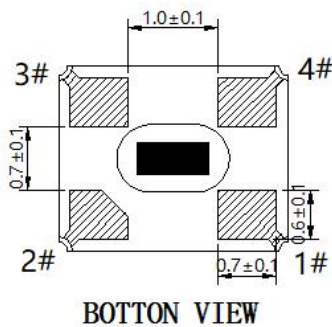
### Dimensions



### Terminal land connections



### Land pattern (Recommended)



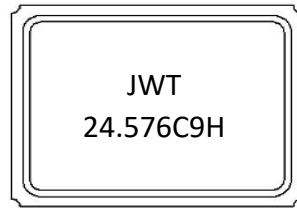
地址：安徽省合肥市经开区云谷路 2569 号

ADD: No. 2569 YunGu Road, HeFei Economy & Technology Development District

Mail: [chehangyuan@hf.jwt.cn](mailto:chehangyuan@hf.jwt.cn)

http: //www. hfjwt. cn

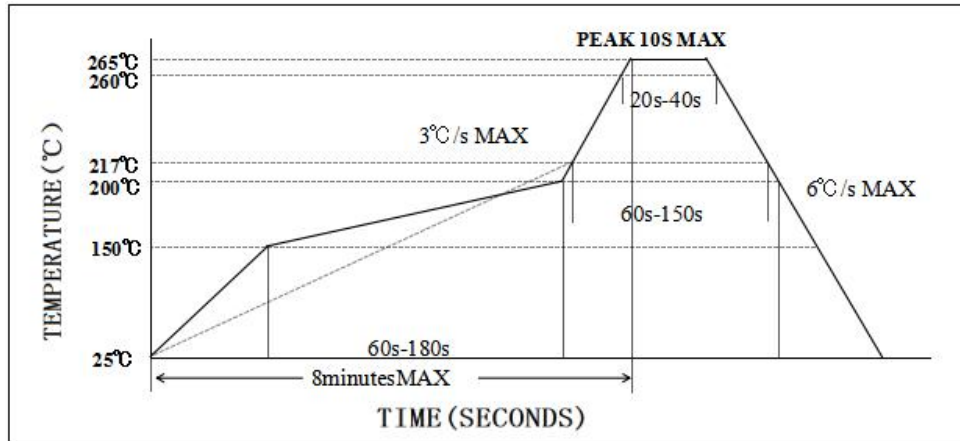
## Marking



JWT -----	Logo
24.576 -----	Frequency
C9 -----	Load Capacitance
H -----	High Temperature

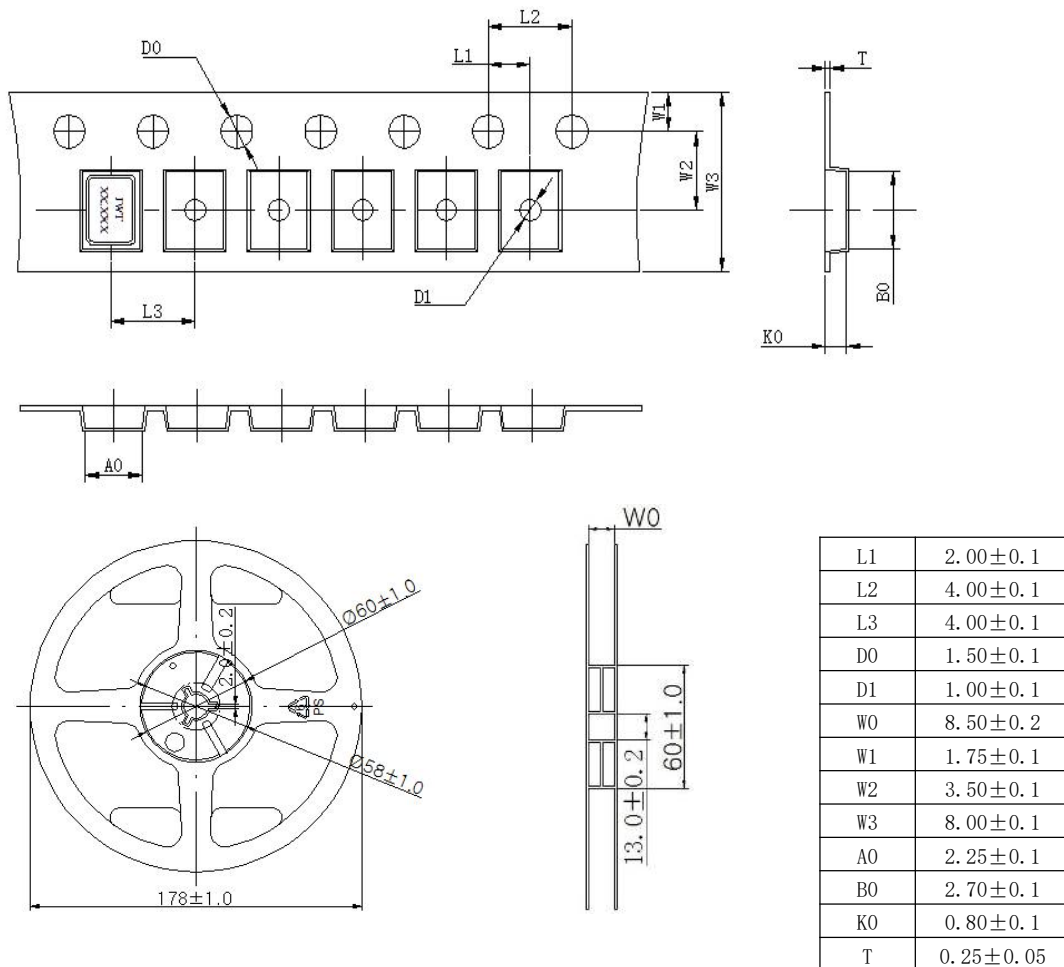


Reflow Profile



Reference standard: JEDEC J-STD-020. (lead free)

Dimension of taping and reel



地址：安徽省合肥市经开区云谷路 2569 号

ADD: No. 2569 YunGu Road, HeFei Economy & Technology Development District

Mail: [chelangyuan@hfjwt.cn](mailto:chelangyuan@hfjwt.cn)

http: //www. hfjwt. cn