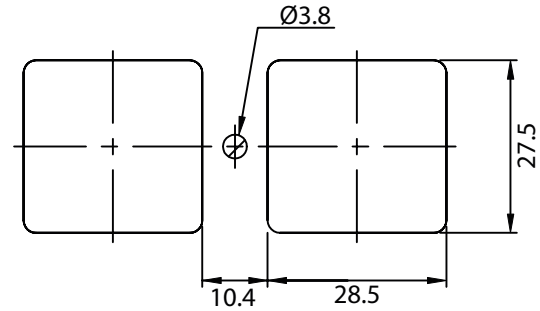
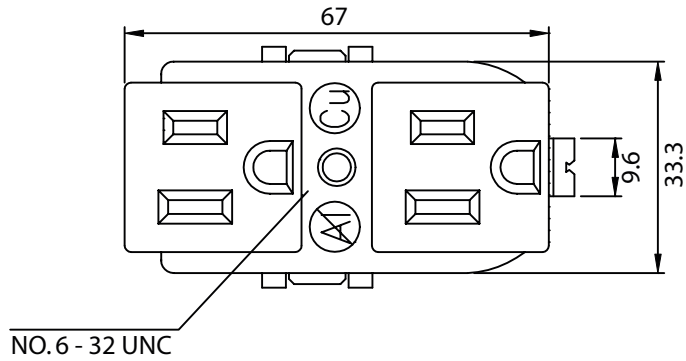
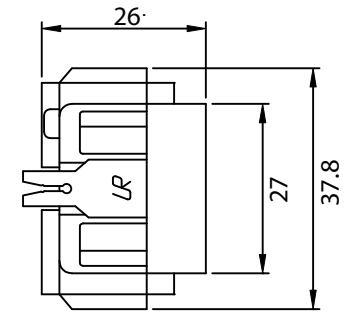
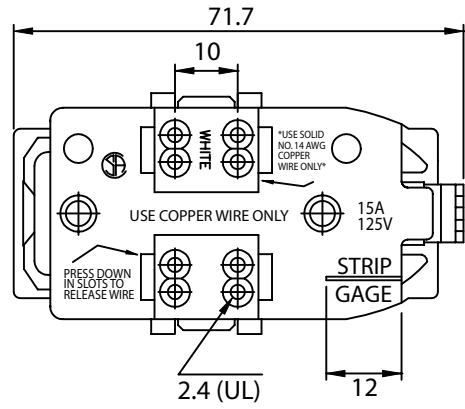
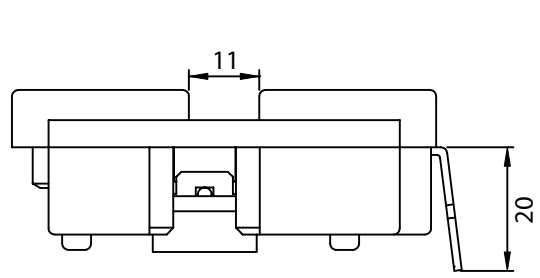


THESE DRAWINGS ARE THE PROPERTY OF QUALTEK ELECTRONICS AND NOT TO BE REPRODUCED FOR OR COMMUNICATED TO A THIRD PARTY WITHOUT THE EXPRESS WRITTEN PERMISSION OF AN OFFICER OF QUALTEK ELECTRONICS.

REVISION			
REV.	DESCRIPTION	DATE	APPROVED
B	RoHS Compliancy	06-01-06	DP



PANEL CUTOUT



**CONTROLLED**

NOTES:

- USE 14 AWG SOLID COPPER WIRE ONLY
- 15A 125V
- APPROVALS: UL, CSA
- COLOR: BLACK
- RoHS COMPLIANT

Dim range (mm)	Tolerance +/- (mm)	Qualtek Electronics Corp. PPC DIVISION		
		Part Number: 740W-D/06		RoHS Compliant
0-1	0.15	Description: AC RECEPTACLE		
1-6	0.20			
6-18	0.30			
18-50	0.50			
50-120	0.70	UNIT: mm	REV. B	
120-250	0.90	Drawn / Date	Checked / Date	Approved / Date
250-500	1.20	K.Huang 11-21-98	11-21-98	JJH / 11-21-98