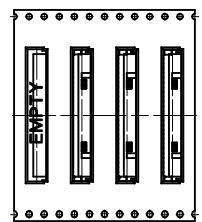
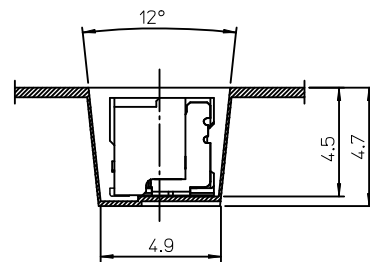


SECTION A-A'

PULL OUT DIRECTION



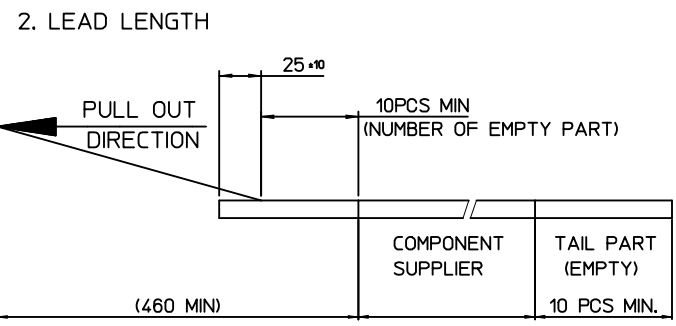
PULL OUT DIRECTION



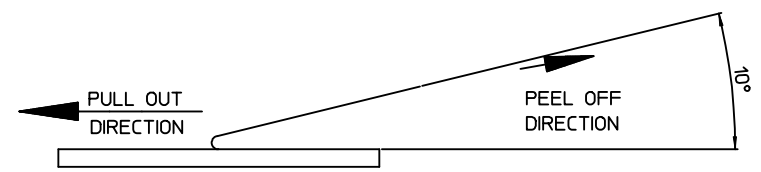
SECTION B-B'
SCALE 3/1

PLASTIC BOBBIN

NOTES.
1. QUANTITY OF CONNECTORS : 1,500 PCS/REEL



3. PEELING OFF FORCE OF COVER TAPE : 0.1N~0.59N(10.2GF~60GF)
(PEELING DIRECTION AS SHOW IN FOLLOW FIG.)
PEELING OFF SPEED : 300mm/Min.(Ref.)

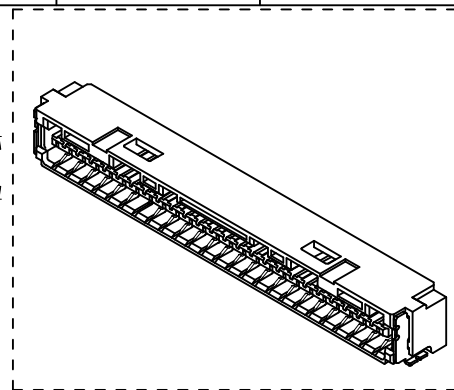
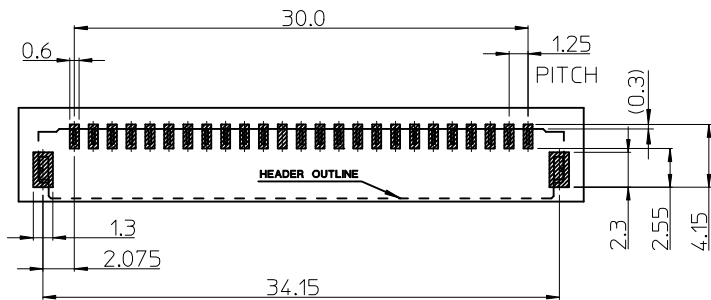
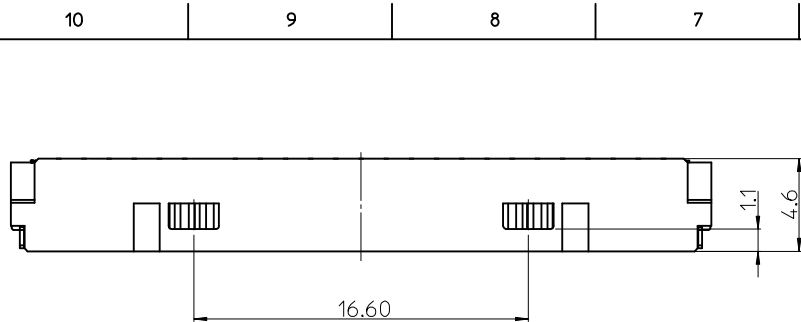


4. FLASH IN ANY PORTION SHOULD BE LESS THAN 0.20mm MAX.
5. UNLESS OTHERWISE SPECIFIED INNER R 0.2MAX
6. DRAFT ANGLE 3° MAX

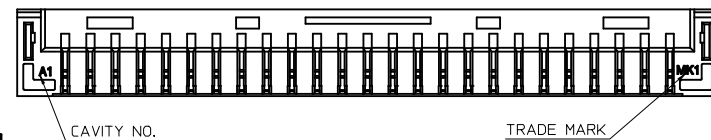
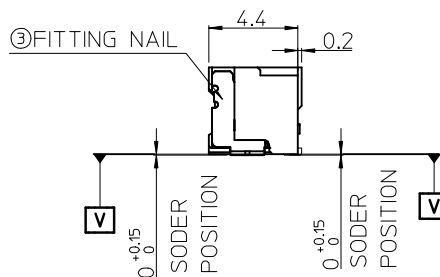
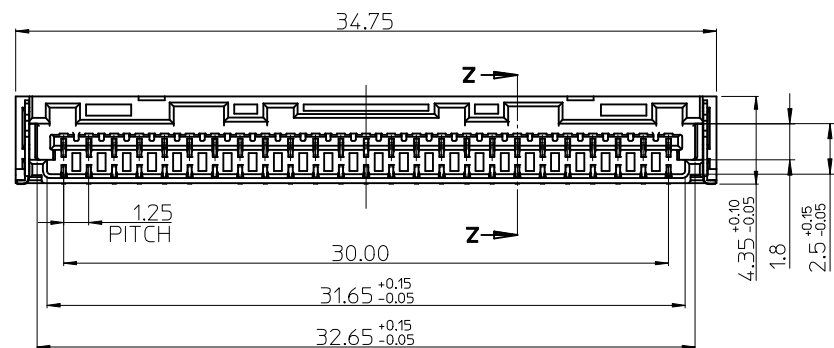
3	PLASTIC BOBBIN	HI P.S	WHITE
2	COVER TAPE	PET ANTISTATIC	49.0 mm
1	CARRIER (EMBOSSD) TAPE	PET ANTISTATIC	104091-9905
NO	DESCRIPTION	MATERIAL	REMARK

ORDER NO 104091-2520

RELEASED EC NO: KOR2012-0127 DRWN:SKCHO 2012/07/09 CHKD:SHCHU 2012/07/09 APPR:YSKIM02 2012/08/06	QUALITY SYMBOLS ▽=0 ∇=0	GENERAL TOLERANCES (UNLESS SPECIFIED)		DIMENSION STYLE	SCALE	DESIGN UNITS	THIRD ANGLE PROJECTION
		mm	INCH	MM ONLY	1/1	METRIC	
REV A	DESCRIPTION	4 PLACES	± ---	± ---	DRAWN BY	DATE	TITLE 1.25 WTB CONN. R/A -25P HEADER ASS'Y EMBOSSD PACKAGE
		3 PLACES	± ---	± ---	SKCHO	2011/08/02	
		2 PLACES	± 0.15	± ---	CHECKED BY	DATE	molex
		1 PLACE	± 0.20	± ---	SHCHU	2011/08/02	
		0 PLACE	± ---	± ---	APPROVED BY	DATE	SD-104091-012
					YSKIM02	2012/08/06	
		ANGULAR ± 5 °		MATERIAL NO.	DOCUMENT NO.		SHEET NO.
		DRAFT WHERE APPLICABLE MUST REMAIN WITHIN DIMENSIONS		1040912520	1040912520		1 OF 1
				SIZE A3	THIS DRAWING CONTAINS INFORMATION THAT IS PROPRIETARY TO MOLEX INCORPORATED AND SHOULD NOT BE USED WITHOUT WRITTEN PERMISSION		

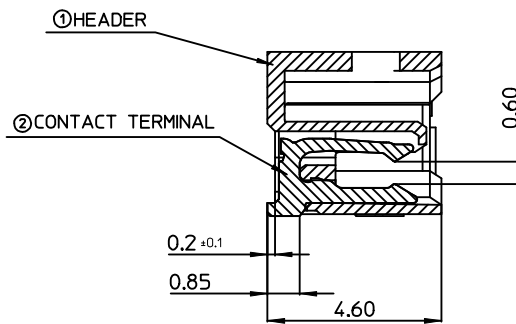
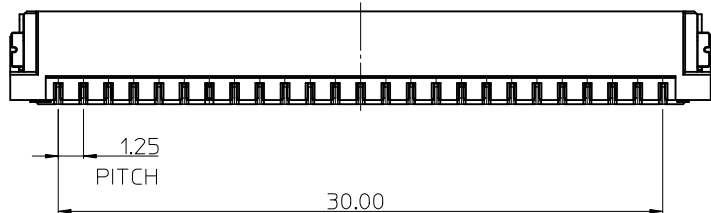


RECOMMEND RATTERN [REF.]
 [PCB GENERAL TOLERANCE ±0.05]



NOTES.

- MATERIALS**
 - ① HEADER : LIQUID CRYSTAL POLYMER(LCP), GLASS FILLED, UL94V-0, COLOR: NATURAL (IVORY)
 - ② CONTACT TERMINAL : PHOSPHOR BRONZE
 - ③ FITTING NAIL : PHOSPHOR BRONZE
- FINISHES**
 - ② CONTACT TERMINAL : PURE TIN PLATING ON OVERALL THICKNESS : 3.0~5.0µm UNDER PLATING Ni OVERALL THICKNESS 1.25~3.75µm
 - ③ FITTING NAIL : PURE TIN PLATING ON OVERALL THICKNESS 3.0 ~ 5.0µm UNDER PLATING Ni OVERALL THICKNESS 1.25 ~ 3.75µm
- PRODUCT SPECIFICATION** : PS-104091-001
- PACKAGING SPECIFICATION** : PK-104091-001
- MATED WITH** : 104092-2500
- COPLANALITY OF SOLDER TAILS (PEAK TEMP.:260°C 1 TIME)**
BEFORE & AFTER REFLOW : 0.08 MAX



SECTION Z-Z

ORDER NO 104091-2520

RELEASED EC NO: KOR2012-0127 DRWN:SKCHO 2012/07/09 CHKD:SHCHU 2012/07/09 APPR:YSK1M02 2012/08/06	QUALITY SYMBOLS ▽=0 ◻=0	GENERAL TOLERANCES (UNLESS SPECIFIED)		DIMENSION STYLE MM ONLY		SCALE 4/1	DESIGN UNITS METRIC	THIRD ANGLE PROJECTION		
			mm	INCH	DRAWN BY	DATE	TITLE 1.25 WTB CONN. R/A -25P HEADER ASS'Y			
		4 PLACES	± ---	± ---	JHPARK	2011/04/03	MOLEX INCORPORATED DOCUMENT NO. SD-104091-013 SHEET NO. 1 OF 1			
		3 PLACES	± ---	± ---	CHECKED BY	DATE				
2 PLACES	± 0.15	± ---	SHCHU	2011/04/03	THIS DRAWING CONTAINS INFORMATION THAT IS PROPRIETARY TO MOLEX INCORPORATED AND SHOULD NOT BE USED WITHOUT WRITTEN PERMISSION					
1 PLACE	± 0.20	± ---	APPROVED BY	DATE						
	ANGULAR ± 1 °		YSK1M02	2012/08/06						
	DRAFT WHERE APPLICABLE MUST REMAIN WITHIN DIMENSIONS		MATERIAL NO. 1040912520							