

Load Switch IC

34 V Breakdown Voltage Variable Overcurrent Detection 1ch Load Switch

BV1HAL45EFJ

General Description

BV1HAL45EFJ is a single Nch MOSFET high side load switch applicable to 8.0 V to 32.0 V input. It has a built-in overcurrent protection, Thermal shutdown protection, soft-start function and low power output OFF function. It is equipped with error flag notification pin to indicate thermal shutdown and overcurrent. Single chip power supply management is possible.

Key Specifications

- Input Voltage Range: 8.0 V to 32.0 V
- Output ON Resistance: 45mΩ (Typ)
- Variable Overcurrent Detection: 3.4 A to 10.0 A (Typ)
- Standby Current: 0.5 μA (Max)
- Operating Temperature Range: -40 °C to +85 °C

Package

HTSOP-J8

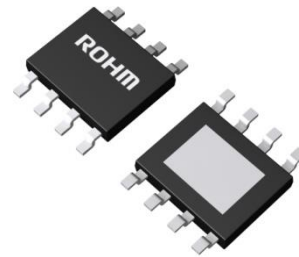
W (Typ) x D (Typ) x H (Max)

4.9 mm x 6.0 mm x 1.0 mm

Features

- Dual TSD^(Note 1)
- Low On-Resistance Single Nch MOSFET Switch
- Variable Output Soft-Start Time
- Overcurrent Protection Function (Latch-Off)
- Thermal Shutdown Protection Function (TSD)
- Low Voltage Output OFF Function (UVLO)
- Error Flag Notification Pin

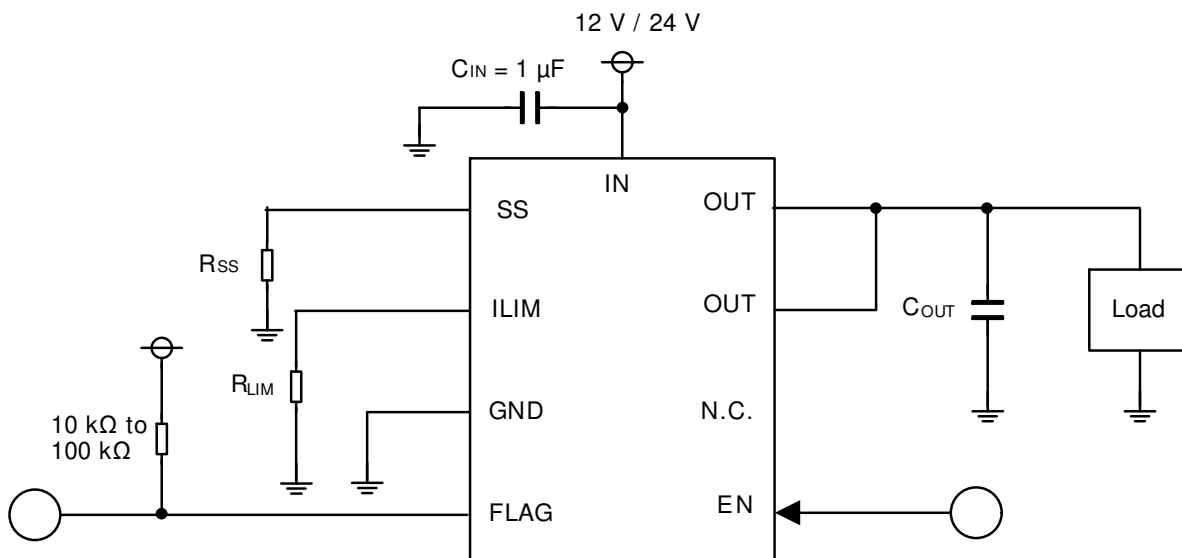
(Note 1) This IC has thermal shutdown function (Junction temperature detect) and ΔTj Protection function (Power-MOS steep temperature rising detect).



Applications

- Multifunction Machine and TV
- Overcurrent Monitoring of Various Power Lines and Power Management

Application Circuit

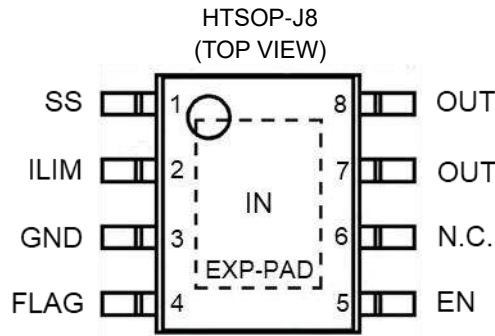


○Product structure : Silicon integrated circuit ○This product has no designed protection against radioactive rays.

Table of Contents

General Description	1
Features.....	1
Applications	1
Key Specifications	1
Package.....	1
Application Circuit.....	1
Table of Contents	2
Pin Configuration	3
Pin Description.....	3
Block Diagram	3
Definition.....	4
Absolute Maximum Ratings	5
Thermal Resistance.....	6
Recommended Operating Conditions.....	10
Electrical Characteristics.....	10
Typical Performance Curves.....	11
Measurement Setup	17
Timing Chart	19
Function Description	20
1. Truth Table	20
2. Overcurrent Protection	21
2.1 Latch-off due to Fixed Overcurrent Limit (I_{OCD1}).....	21
2.2 Duration of Fixed Overcurrent Limit (I_{OCD1}) is less than t_{BLANK}	23
2.3 Latch-off due to Variable Overcurrent Detection (I_{OCD2}).....	25
2.4 Duration of Variable Overcurrent Detection (I_{OCD2}) is less than t_{BLANK}	25
2.5 Setting Variable Overcurrent Detection.....	26
3. Setting Soft Start Function	27
4. Thermal Shutdown Function, ΔT_j Protection Function	30
4.1 Thermal Shutdown Function.....	30
4.2 ΔT_j Protection Function.....	30
4.3 The case of connecting the capacitance load.....	31
5. Output Load is Open	37
I/O Equivalence Circuit	37
Operational Notes.....	38
Ordering Information.....	40
Marking Diagram	40
Physical Dimension and Packing Information	41
Revision History.....	42

Pin Configuration

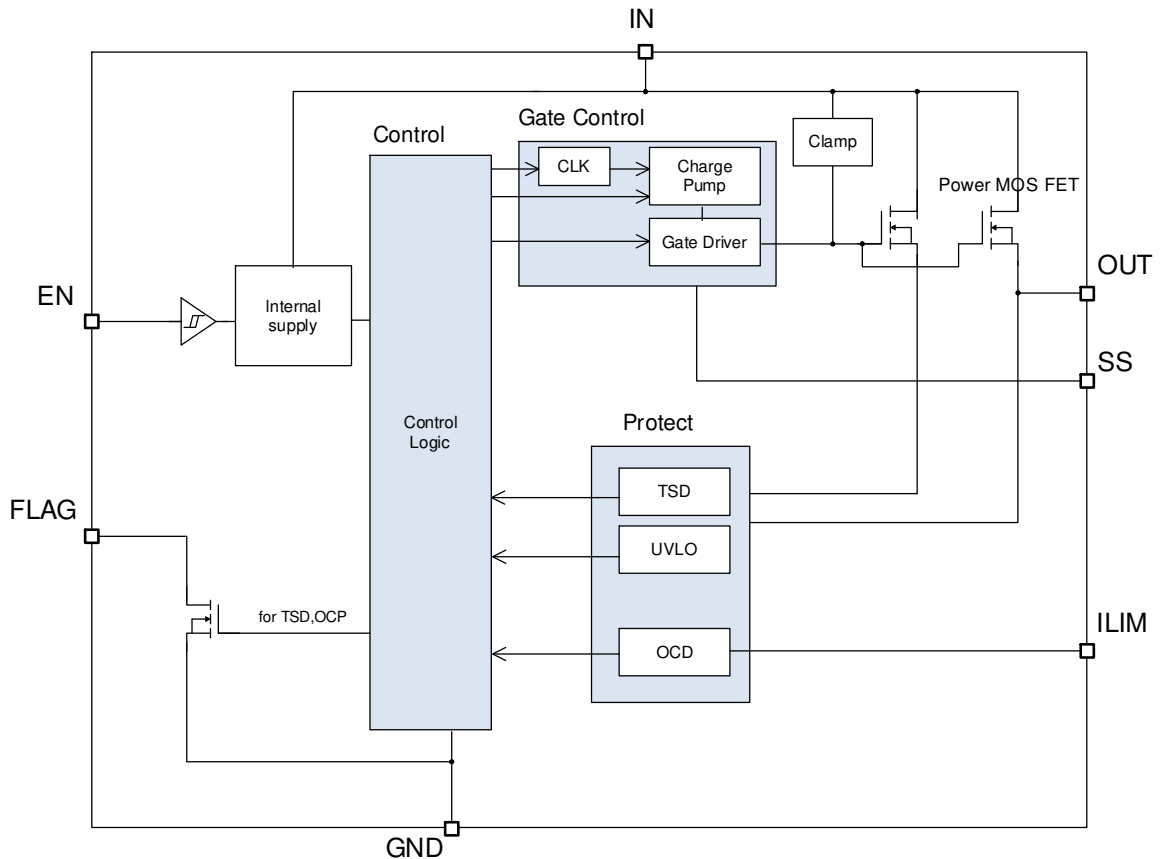


Pin Description

Pin No.	Pin Name	Function
1	SS	Variable soft-start time setting pin
2	ILIM	Variable overcurrent detection setting pin
3	GND	Ground pin
4	FLAG	Error flag output pin (Active low when TSD and OCD is detected.)
5	EN	Enable pin (Pull-down resistor is connected internally.) Active High to turn on the switch
6	N.C.	Not connected pin ^(Note 1)
7,8	OUT	Switch output pin
EXP-PAD	IN	Power input pin, switch input pin

(Note 1) GND short connection is recommended for the N.C. pin. It can also be open since the N.C. pin is not connected inside the IC.

Block Diagram



Definition

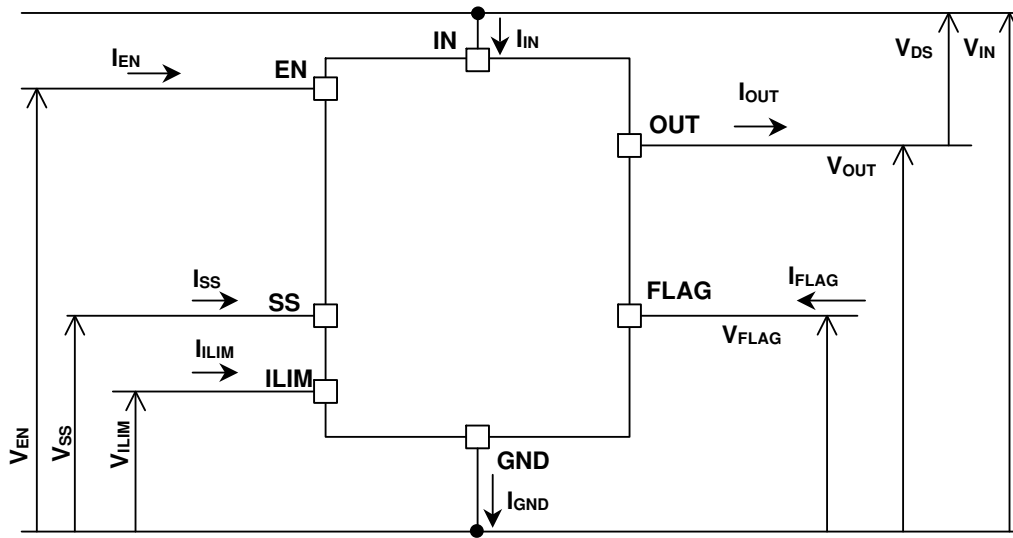


Figure 1. Voltage and Current Definition

Absolute Maximum Ratings (Ta = 25 °C)

Item	Symbol	Rating	unit
Power Supply Output Voltage	V _{DS}	-0.3 to Internal limit ^(Note 1)	V
Power Supply Voltage (IN)	V _{IN}	-0.3 to +34	V
Storage Temperature Range	T _{stg}	-55 to +150	°C
Maximum Junction Temperature	T _{jmax}	150	°C
EN Input Voltage	V _{EN}	-0.3 to +7.0	V
FLAG Output Voltage	V _{FLAG}	-0.3 to +7.0	V
Output Current	I _{OUT}	Internal limit ^(Note 2)	A
FLAG Output Current	I _{FLAG}	10	mA
Active Clamp Capability (single pulse) T _J (START) = 25 °C, I _{OUT} (START) = 1 A ^{(Note 3)(Note 4)}	E _{AS}	53.2	mJ

Caution 1: Operating the IC over the absolute maximum ratings may damage the IC. The damage can either be a short circuit between pins or an open circuit between pins and the internal circuitry. Therefore, it is important to consider circuit protection measures, such as adding a fuse, in case the IC is operated over the absolute maximum ratings.

Caution 2: Should by any chance the maximum junction temperature rating be exceeded the rise in temperature of the chip may result in deterioration of the properties of the chip. In case of exceeding this absolute maximum rating, design a PCB with thermal resistance taken into consideration by increasing board size and copper area so as not to exceed the maximum junction temperature rating.

(Note 1) Internal limit according to output clamp voltage

(Note 2) Internal limit according to fixed overcurrent limit

(Note 3) This is the maximum value of active clamp tolerance (single pulse) under the conditions of I_{OUT}(START) = 1 A, V_{IN} = 24 V. The OUT pin potential drops less than 0 V during turned off when L load is connected in the OUT pin.

The energy at this time is consumed in BV1HAL45EFJ. This energy is expressed in the equation below.

$$E_{AS} = V_{DS} \times \frac{L}{R_L} \times \left[\frac{V_{IN} - V_{DS}}{R_L} \times \ln \left(1 - \frac{R_L \times I_{OUT}(START)}{V_{IN} - V_{DS}} \right) + I_{OUT}(START) \right]$$

Following equation simplifies under the assumption of R_L = 0 Ω.

$$E_{AS} = \frac{1}{2} \times L \times I_{OUT}(START)^2 \times \left(1 - \frac{V_{IN}}{V_{DS}} \right)$$

(Note 4) Not 100 % tested.

Thermal Resistance^(Note 1)

Parameter	Symbol	Typ	Unit	Condition
HTSOP-J8				
Between Junction and Surroundings Temperature Thermal Resistance	θ_{JA}	121.2	°C/W	1s ^(Note 2)
		37.2	°C/W	2s ^(Note 3)
		25.3	°C/W	2s2p ^(Note 4)

(Note 1) The thermal impedance is based on JESD51-2A (Still-Air) standard. It is used in the chip of BV1HAL45EFJ.

(Note 2) JESD51-3 standard FR4 114.3 mm x 76.2 mm x 1.57 mm 1-layer (1s)
(Top copper foil: ROHM recommended Footprint + wiring to measure, 2 oz. copper.)

(Note 3) JESD51-5 standard FR4 114.3 mm x 76.2 mm x 1.60 mm 2-layers (2s)
(Top copper foil: ROHM recommended Footprint + wiring to measure / Copper foil area on the reverse side of PCB: 74.2 mm x 74.2 mm, copper (top & reverse side) 2 oz.)

(Note 4) JESD51-5/- 7 standard FR4 114.3 mm x 76.2 mm x 1.60 mm 4-layers (2s2p)
(Top copper foil: ROHM recommended Footprint + wiring to measure / 2 inner layers and copper foil area on the reverse side of PCB: 74.2 mm x 74.2 mm, copper (top & reverse side/inner layers) 2 oz./1 oz.)

■ PCB Layout 1 Layer (1s)

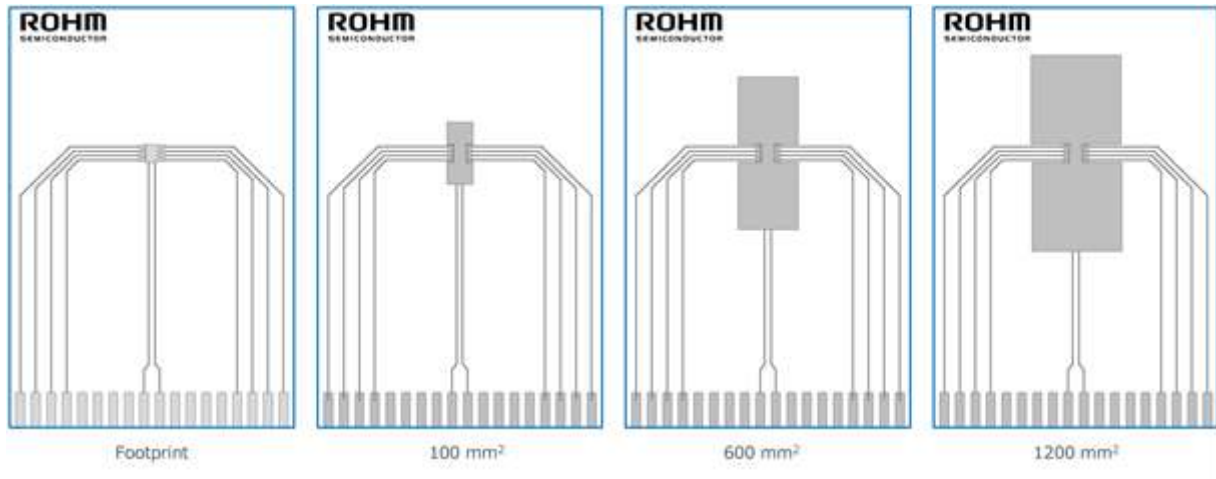


Figure 2. PCB Layout 1 Layer (1s)

Dimension	Value
Board Finish Thickness	1.57 mm ± 10 %
Board Dimension	76.2 mm x 114.3 mm
Board Material	FR4
Copper Thickness (Top/Bottom Layers)	0.070 mm (Cu : 2 oz)
Copper Foil Area Dimension	Footprint / 100 mm ² / 600 mm ² / 1200 mm ²

Thermal Resistance – continued

- PCB Layout 2 Layers (2s)

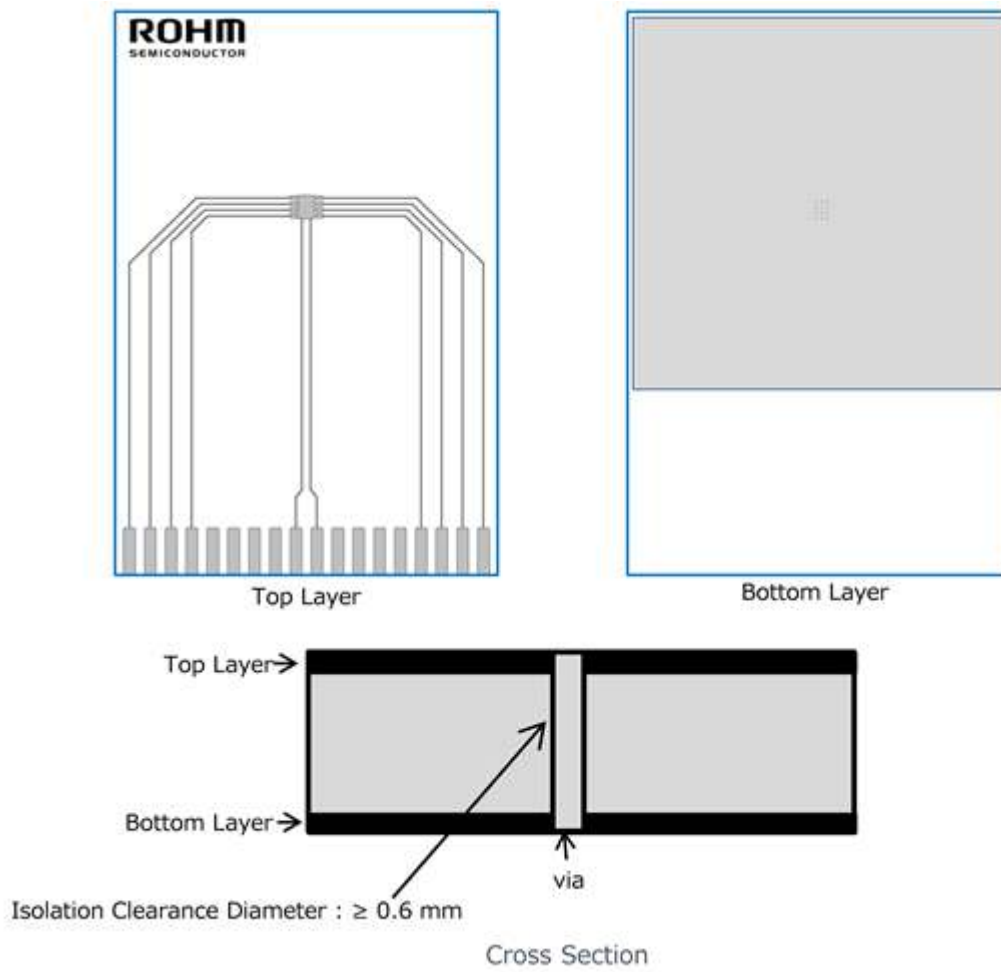


Figure 3. PCB Layout 2 Layers (2s)

Dimension	Value
Board Finish Thickness	1.60 mm ± 10 %
Board Dimension	76.2 mm x 114.3 mm
Board Material	FR4
Copper Thickness (Top/Bottom Layers)	0.070 mm (Cu +Plating)
Thermal Vias Separation / Diameter	1.2 mm / 0.3 mm

Thermal Resistance – continued

- PCB Layout 4 Layers (2s2p)

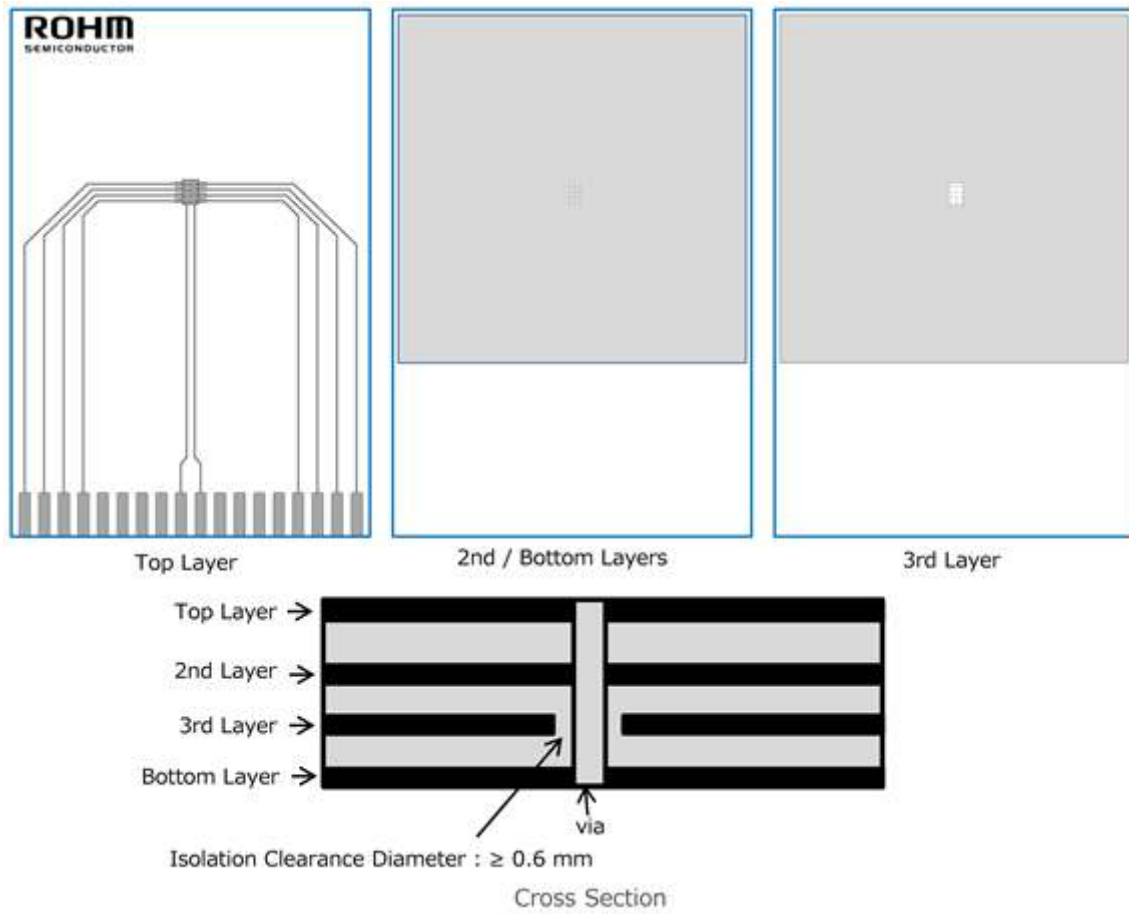


Figure 4. PCB Layout 4 Layers (2s2p)

Dimension	Value
Board Finish Thickness	1.60 mm \pm 10 %
Board Dimension	76.2 mm x 114.3 mm
Board Material	FR4
Copper Thickness (Top/Bottom Layers)	0.070 mm (Cu +Plating)
Copper Thickness (Inner Layers)	0.035 mm
Thermal Vias Separation / Diameter	1.2 mm / 0.3 mm

Thermal Resistance – continued

- Transient Thermal Resistance (Single Pulse)

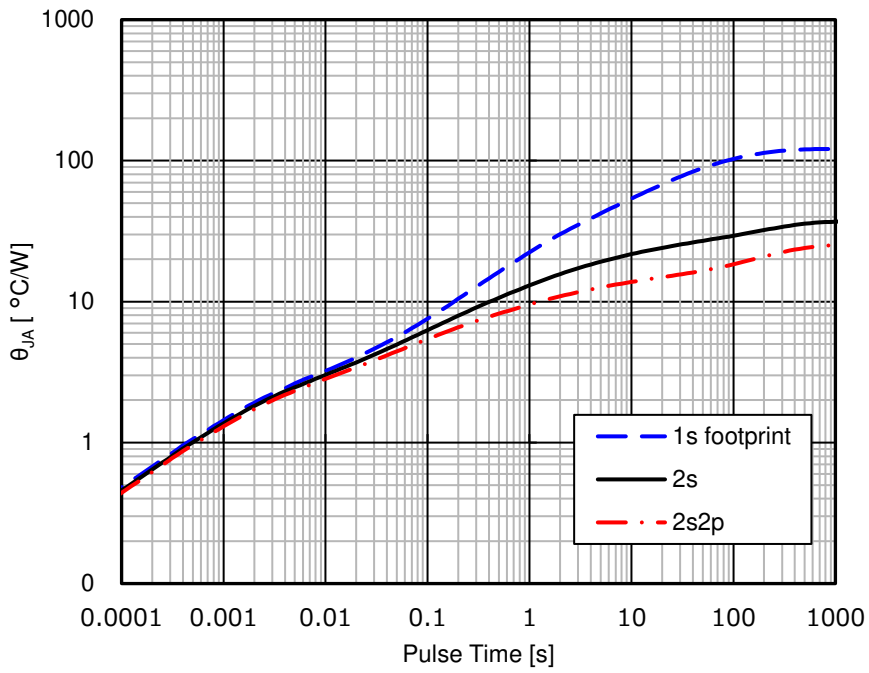


Figure 5. θ_{JA} vs Pulse Time

- Thermal Resistance (θ_{JA} vs Copper foil area - 1s)

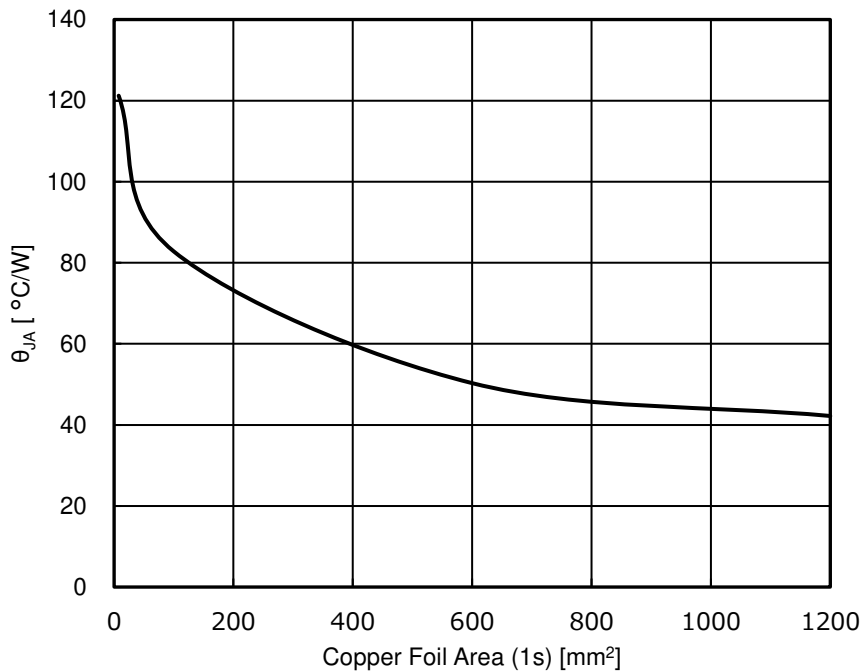


Figure 6. θ_{JA} vs Copper Foil Area (1s)

Recommended Operating Conditions

Parameter	Symbol	Min	Typ	Max	Unit
Power Supply ^(Note 1)	V _{IN}	8.0	-	32.0	V
Operating Temperature	Topr	-40	-	+85	°C

(Note 1) Do not exceed the maximum junction temperature.

Electrical Characteristics (Unless otherwise specified V_{IN} = 8.0 V to 32.0 V, T_j = -40 °C to +85 °C, R_{LIM} = 100 kΩ)

Parameter	Symbol	Min	Typ	Max	Unit	Condition
[Power Supply]						
Standby Current	I _{STB}	-	-	0.5	μA	V _{IN} = 24 V, V _{EN} = 0 V, T _j = 25 °C
Operating Current	I _{CC}	-	2.00	3.50	mA	V _{IN} = 24 V, V _{EN} = 5 V, T _j = 25 °C
UVLO Detection Voltage	V _{UVLO}	-	-	6.0	V	
UVLO Hysteresis Voltage	V _{UVHYS}	0.5	0.9	1.3	V	
[Input (V_{EN})]						
EN High Voltage	V _{ENH}	2.1	-	-	V	
EN Low Voltage	V _{ENL}	-	-	0.9	V	
EN Hysteresis Voltage	V _{ENHYS}	0.10	0.45	0.80	V	
EN High Input Current	I _{ENH}	-	50	100	μA	V _{EN} = 5 V
EN Low Input Current	I _{ENL}	-1	-	+1	μA	V _{EN} = 0 V
[Power MOS Output]						
Output ON Resistance	R _{ON}	-	45	60	mΩ	V _{EN} = 5 V, T _j = 25 °C
Output Leakage Current	I _{LSW}	-	-	0.5	μA	V _{EN} = 0 V, V _{OUT} = 0 V, T _j = 25 °C
Output ON Slew Rate	SR _{ON}	0.24	0.40	0.56	V/ms	V _{IN} = 24 V, T _j = 25 °C R _{SS} = 100 kΩ, R _L = 100 Ω, V _{OUT} :20 %→80 %
Output OFF Slew Rate	SR _{OFF}	-	0.10	0.30	V/μs	V _{IN} = 24 V, T _j = 25 °C R _{SS} = 100 kΩ, R _L = 100 Ω, V _{OUT} :80 %→20 %
Output ON Delay Time	t _{ON}	36	60	84	ms	V _{IN} = 24 V, T _j = 25 °C R _{SS} = 100 kΩ, R _L = 100 Ω, V _{EN} :50 %→V _{OUT} :80 %
Output OFF Delay Time	t _{OFF}	-	360	900	μs	V _{IN} = 24 V, T _j = 25 °C R _{SS} = 100 kΩ, R _L = 100 Ω, V _{EN} :50 %→V _{OUT} :20 %
Output Clamp Voltage	V _{DSCLP}	45	50	55	V	V _{EN} = 0 V, I _{OUT} = 10 mA
[FLAG]						
FLAG Low Output Voltage	V _{FLAG}	-	-	0.5	V	I _{FLAG} = 1 mA
FLAG Pin Leakage Current	I _{LFLAG}	-	-	1	μA	V _{FLAG} = 5 V
FLAG Output Delay Time	t _{BLANK}	15	30	45	ms	The time from overcurrent detection to V _{FLAG} = Low.
[Diagnostic Functions]						
Thermal Shutdown Detection ^(Note 1)	T _{TSD}	150	175	200	°C	
Thermal Shutdown Hysteresis ^(Note 1)	T _{TSDHYS}	-	15	-	°C	
ΔT _j Protection ^(Note 1)	T _{DTJ}	-	105	-	°C	
ΔT _j Protection Hysteresis ^(Note 1)	T _{DTJHYS}	-	30	-	°C	
Fixed Overcurrent Limit	I _{OC1}	17.4	26.0	34.6	A	T _j = 25 °C
Variable Overcurrent Detection	I _{OC2}	3.7	5.8	7.9	A	R _{LIM} = 100 kΩ, T _j = 25 °C

(Note 1) Not 100 % tested.

Typical Performance Curves

(Unless otherwise specified $V_{IN} = 24\text{ V}$, $V_{EN} = 5\text{ V}$, $T_j = 25\text{ }^\circ\text{C}$)

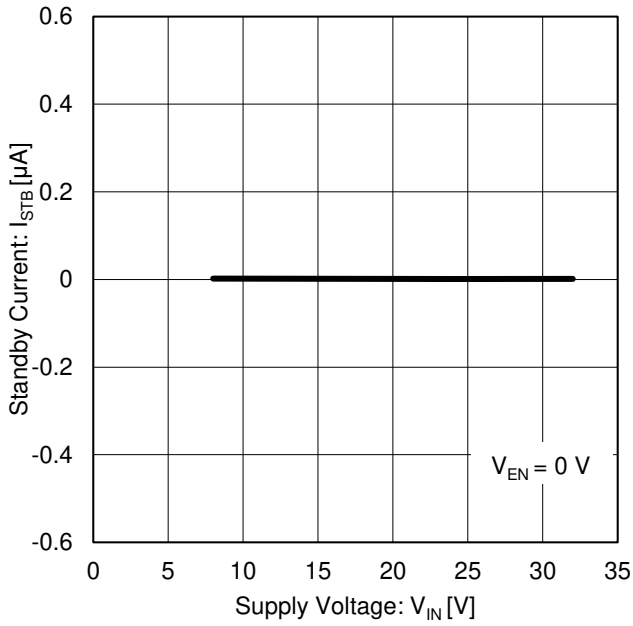


Figure 7. Standby Current vs Supply Voltage

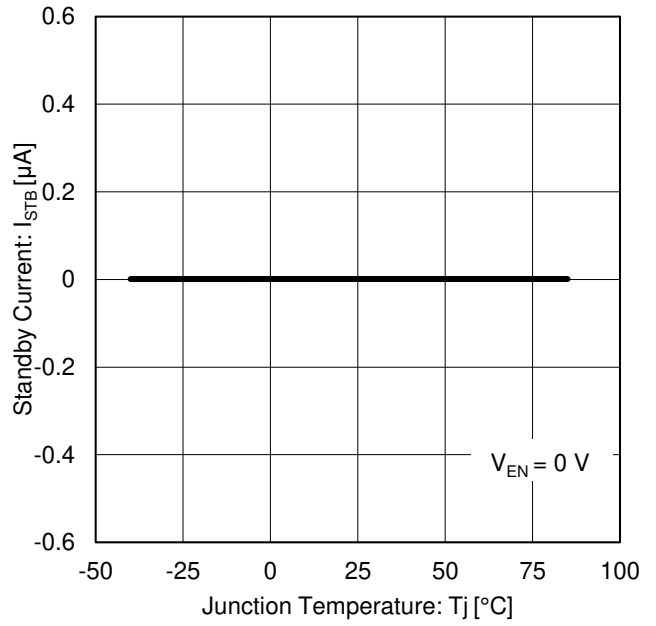


Figure 8. Standby Current vs Junction Temperature

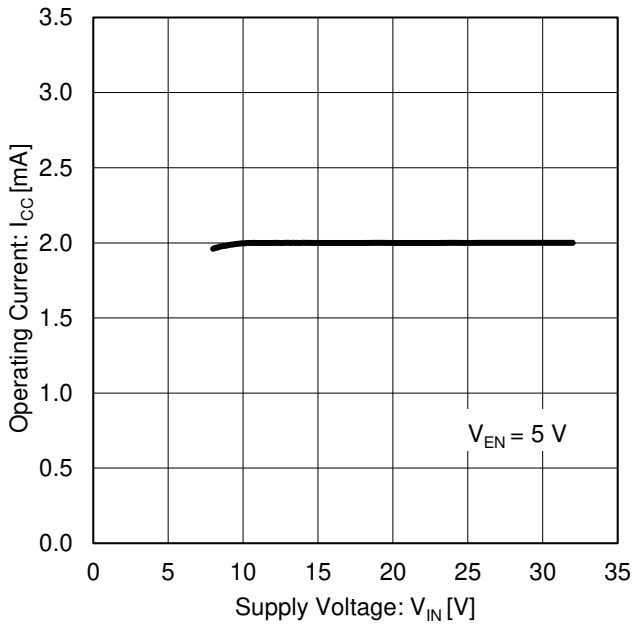


Figure 9. Operating Current vs Supply Voltage

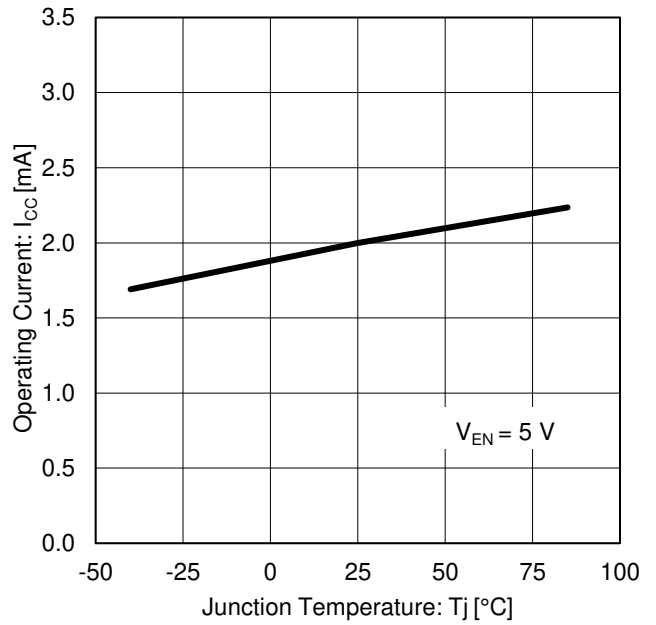


Figure 10. Operating Current vs Junction Temperature

Typical Performance Curves – continued

(Unless otherwise specified $V_{IN} = 24\text{ V}$, $V_{EN} = 5\text{ V}$, $T_j = 25\text{ }^\circ\text{C}$)

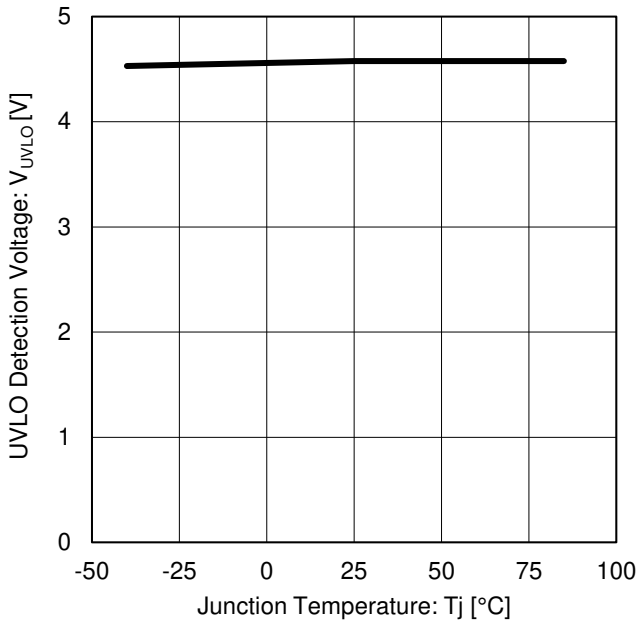


Figure 11. UVLO Detection Voltage vs Junction Temperature

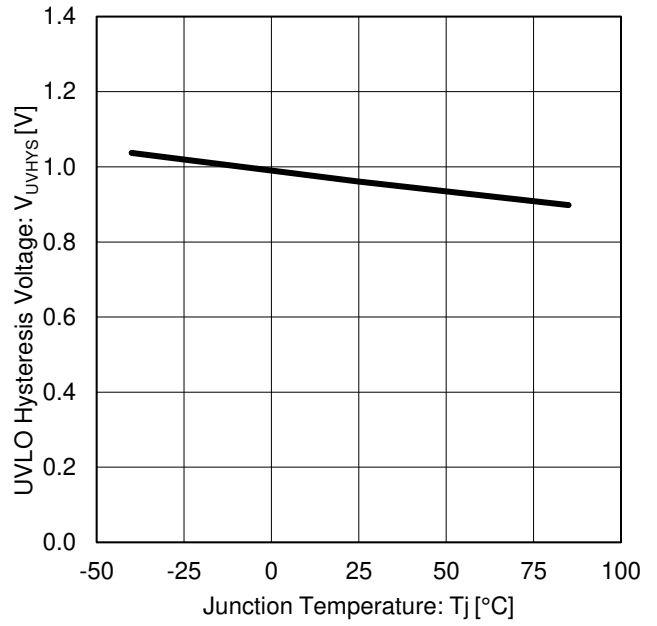


Figure 12. UVLO Hysteresis Voltage vs Junction Temperature

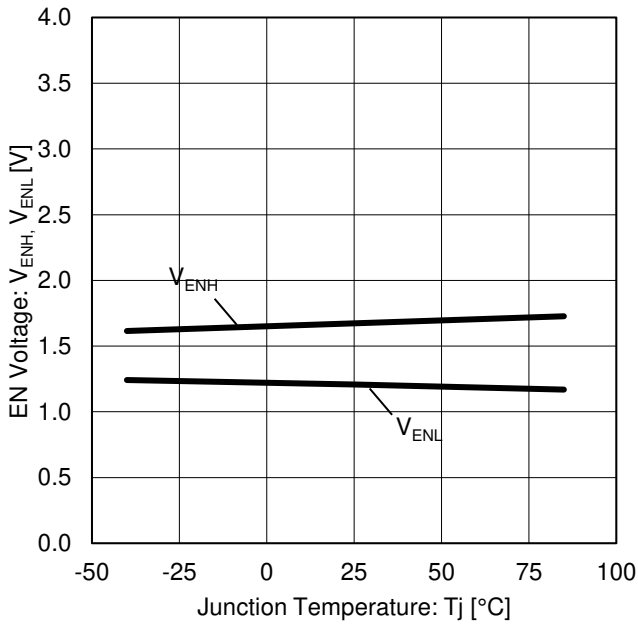


Figure 13. EN Voltage vs Junction Temperature

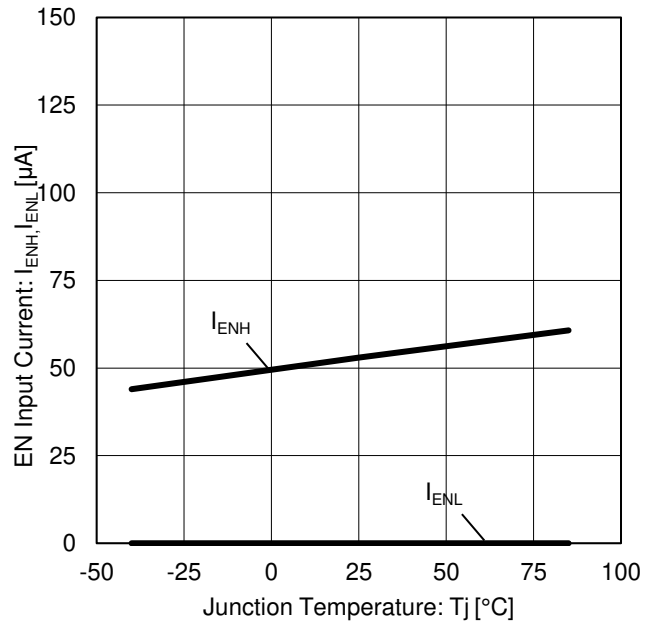


Figure 14. EN Input Current vs Junction Temperature

Typical Performance Curves – continued

(Unless otherwise specified $V_{IN} = 24\text{ V}$, $V_{EN} = 5\text{ V}$, $T_j = 25\text{ }^\circ\text{C}$)

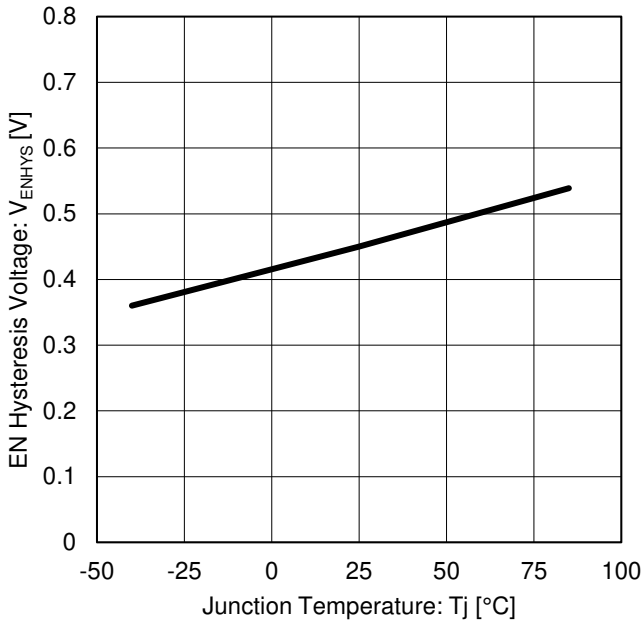


Figure 15. EN Hysteresis Voltage vs Junction Temperature

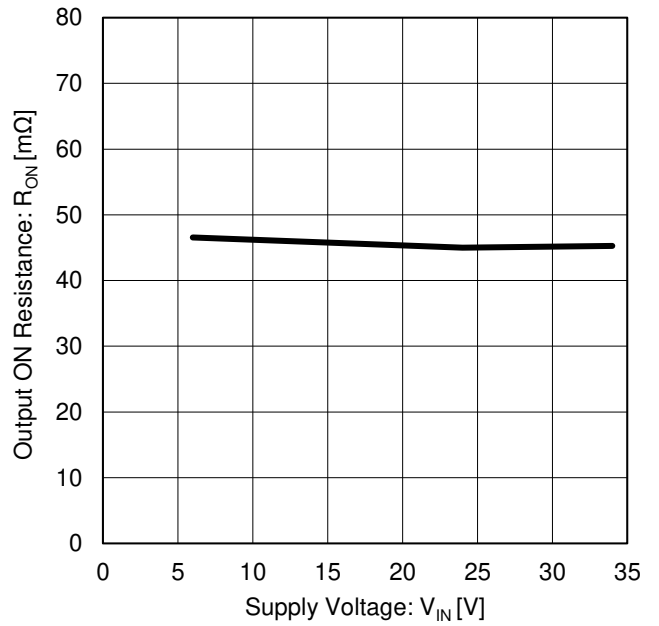


Figure 16. Output ON Resistance vs Supply Voltage

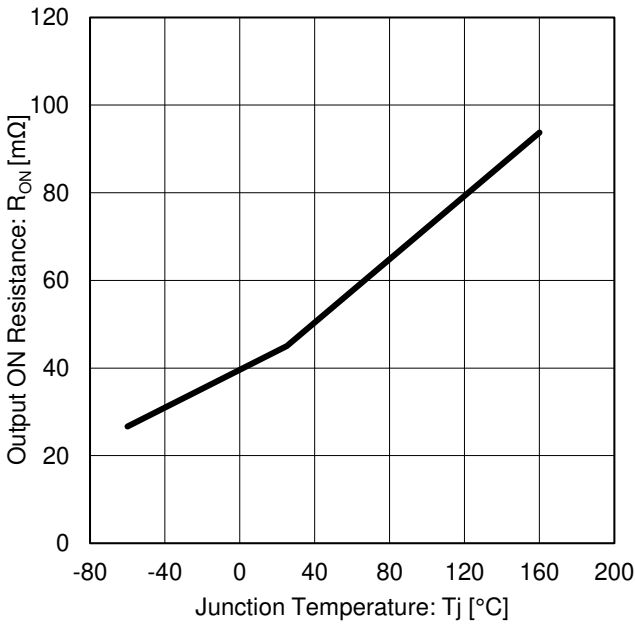


Figure 17. Output ON Resistance vs Junction Temperature

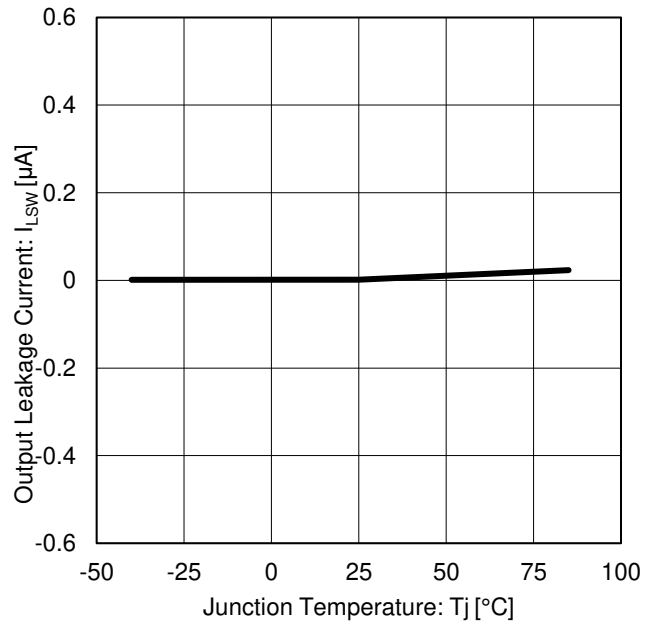


Figure 18. Output Leakage Current vs Junction Temperature

Typical Performance Curves – continued

(Unless otherwise specified $V_{IN} = 24\text{ V}$, $V_{EN} = 5\text{ V}$, $T_j = 25\text{ }^\circ\text{C}$)

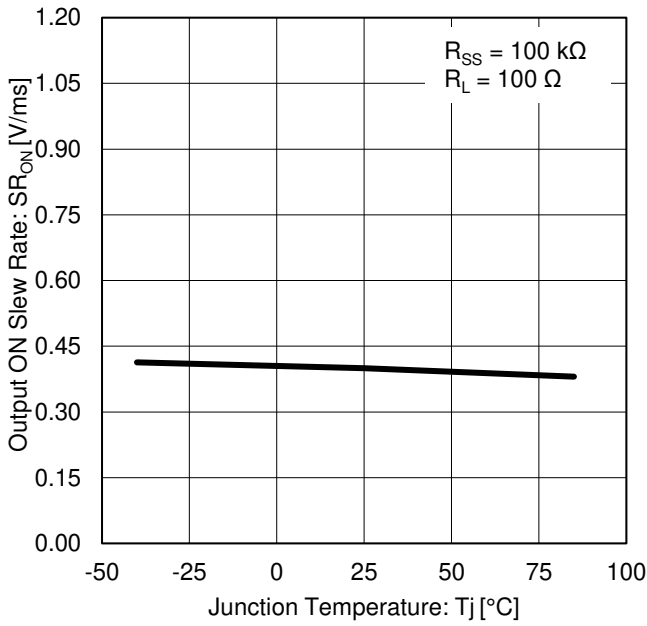


Figure 19. Output ON Slew Rate vs Junction Temperature

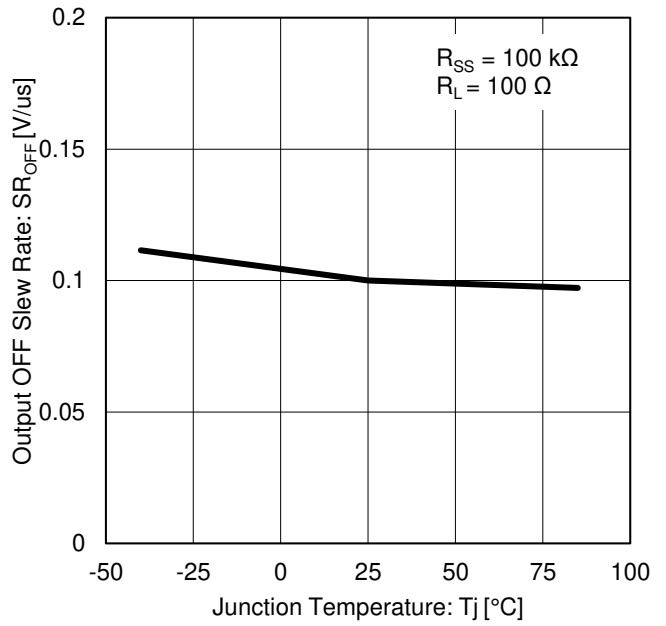


Figure 20. Output OFF Slew Rate vs Junction Temperature

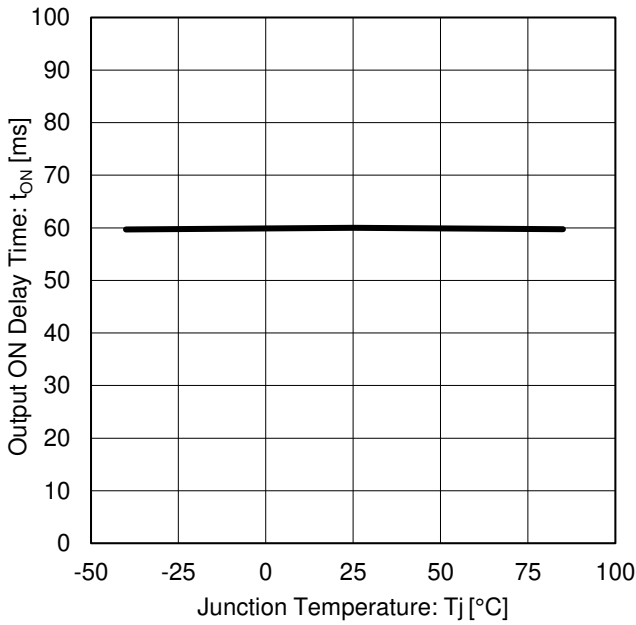


Figure 21. Output ON Delay Time vs Junction Temperature

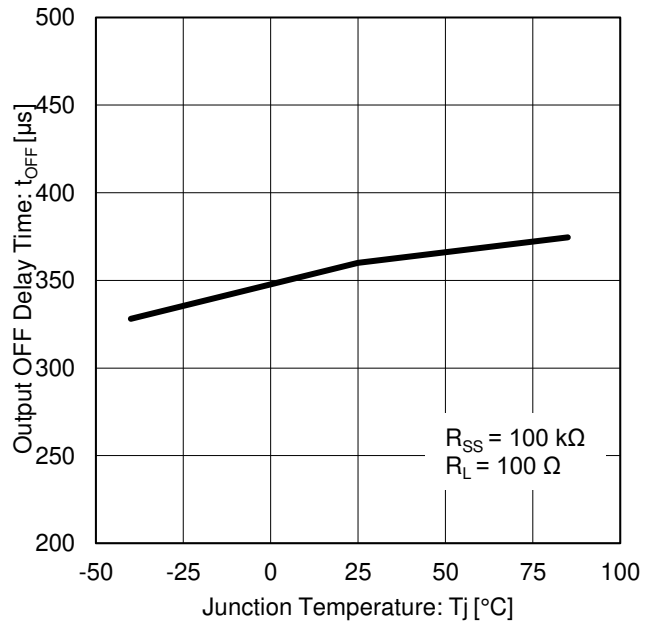


Figure 22. Output OFF Delay Time vs Junction Temperature

Typical Performance Curves – continued

(Unless otherwise specified $V_{IN} = 24\text{ V}$, $V_{EN} = 5\text{ V}$, $T_j = 25\text{ }^\circ\text{C}$)

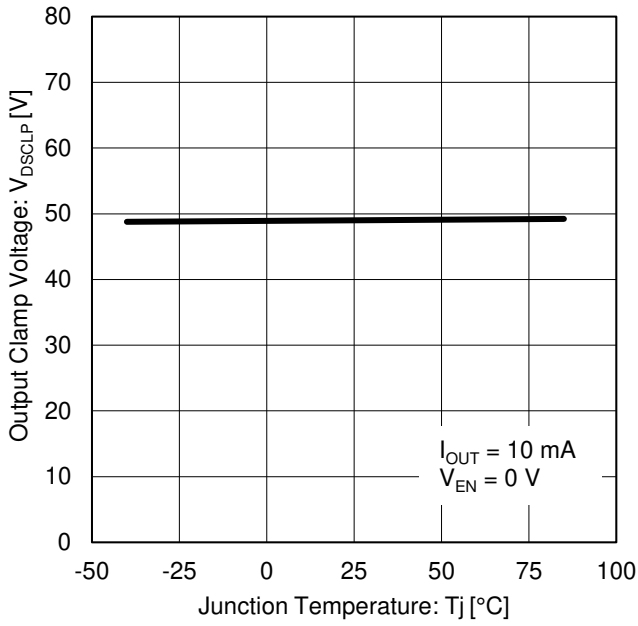


Figure 23. Output Clamp Voltage vs Junction Temperature

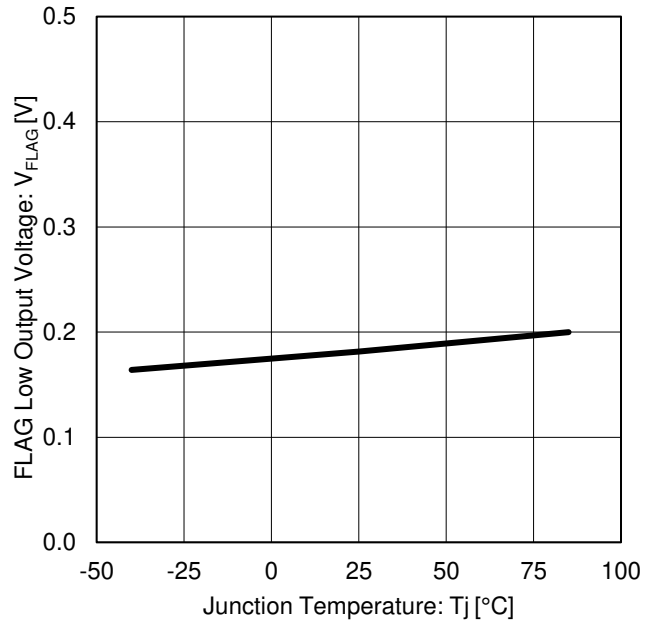


Figure 24. FLAG Low Output Voltage vs Junction Temperature

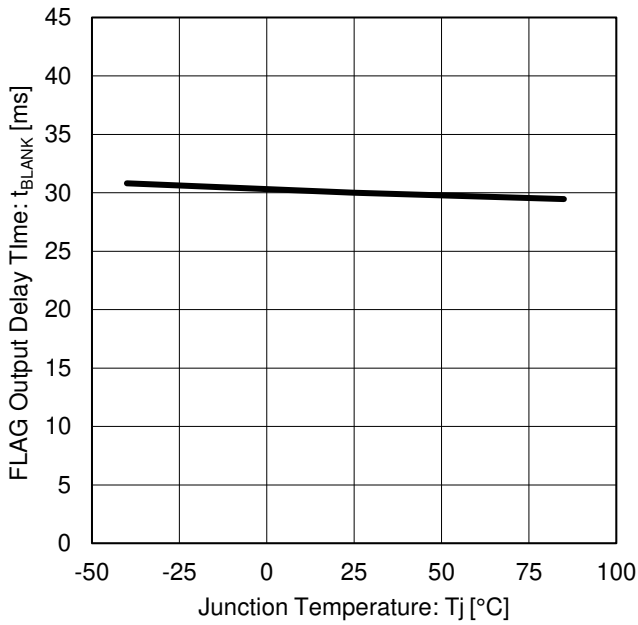


Figure 25. FLAG Output Delay Time vs Junction Temperature

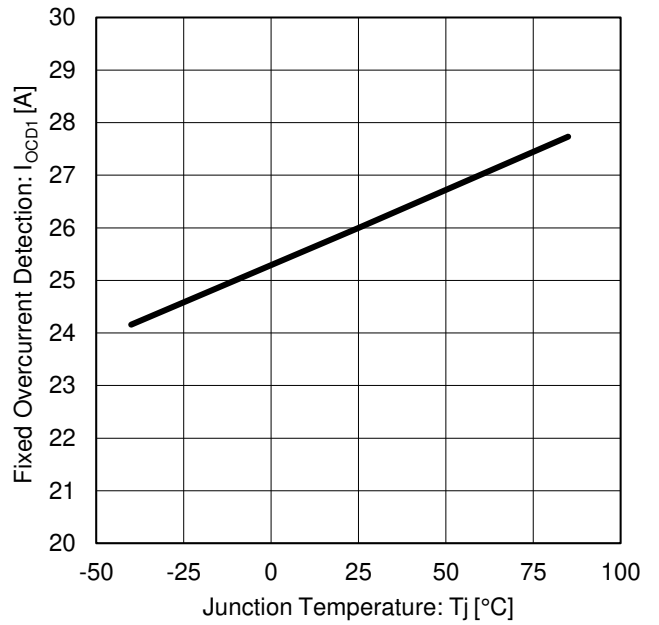


Figure 26. Fixed Overcurrent Limit vs Junction Temperature

Typical Performance Curves – continued

(Unless otherwise specified $V_{IN} = 24\text{ V}$, $V_{EN} = 5\text{ V}$, $T_j = 25\text{ }^\circ\text{C}$)

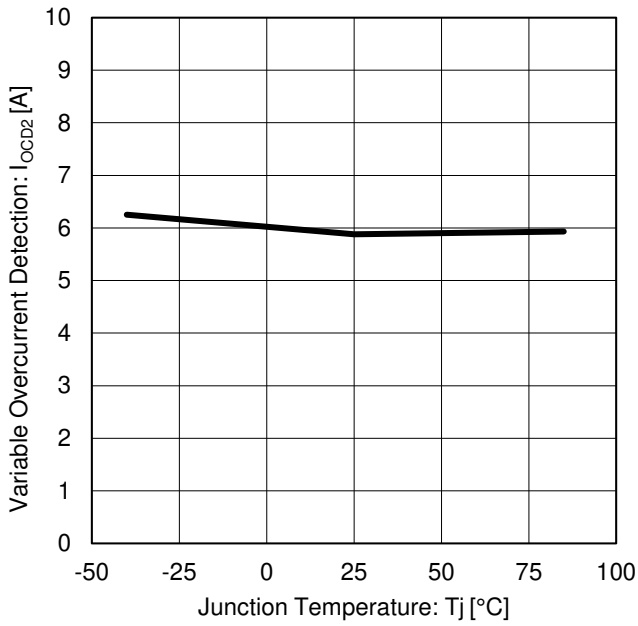


Figure 27. Variable Overcurrent Detection vs Junction Temperature

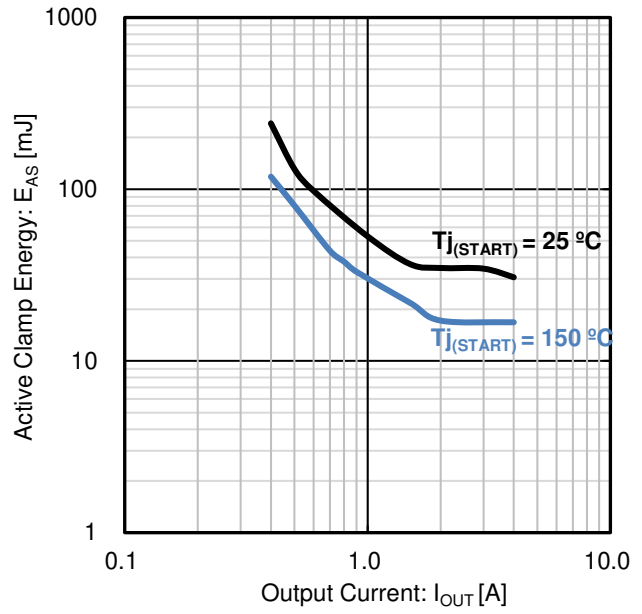


Figure 28. Active Clamp Energy vs Output Current

Measurement Setup

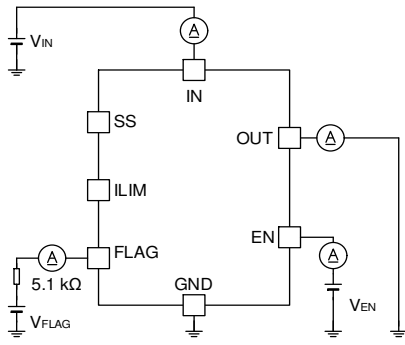


Figure 29. Standby Current
 EN Low Input Current
 Output Leakage Current
 FLAG Pin Leakage Current

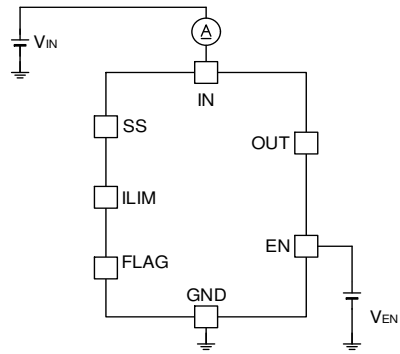


Figure 30. Operating Current

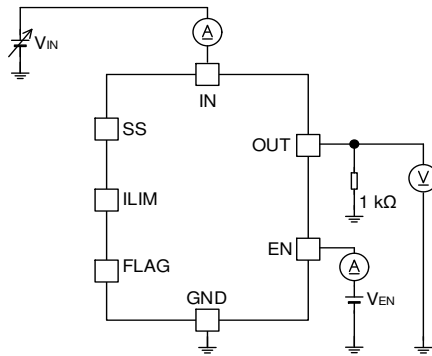


Figure 31. UVLO Detection Voltage
 UVLO Hysteresis Voltage
 EN High Voltage
 EN Low Voltage
 EN Hysteresis Voltage
 EN High Input Current
 EN Low Input Current
 Thermal Shutdown Detection
 Thermal Shutdown Hysteresis

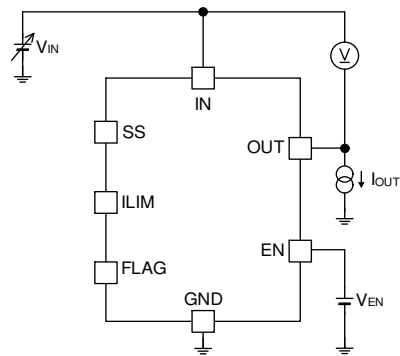


Figure 32. Output ON Resistance
 Output Clamp Voltage

Measurement Setup – continued

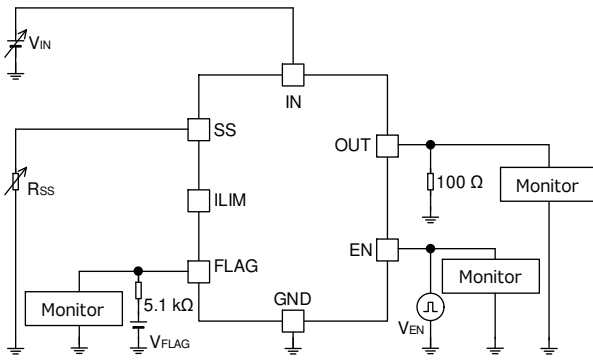


Figure 33. Output ON Slew Rate
Output OFF Slew Rate
Output ON Delay Time
Output OFF Delay Time
FLAG Output Delay Time

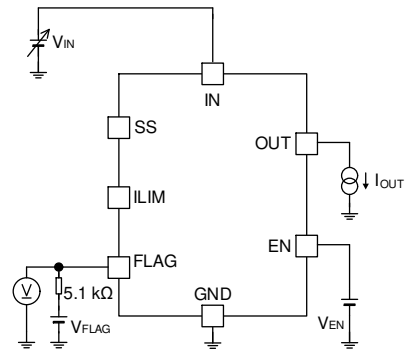


Figure 34. FLAG Low Output Voltage

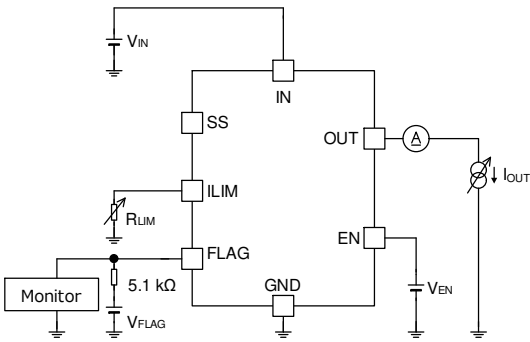


Figure 35. Fixed Overcurrent Limit
Variable Overcurrent Detection

Timing Chart

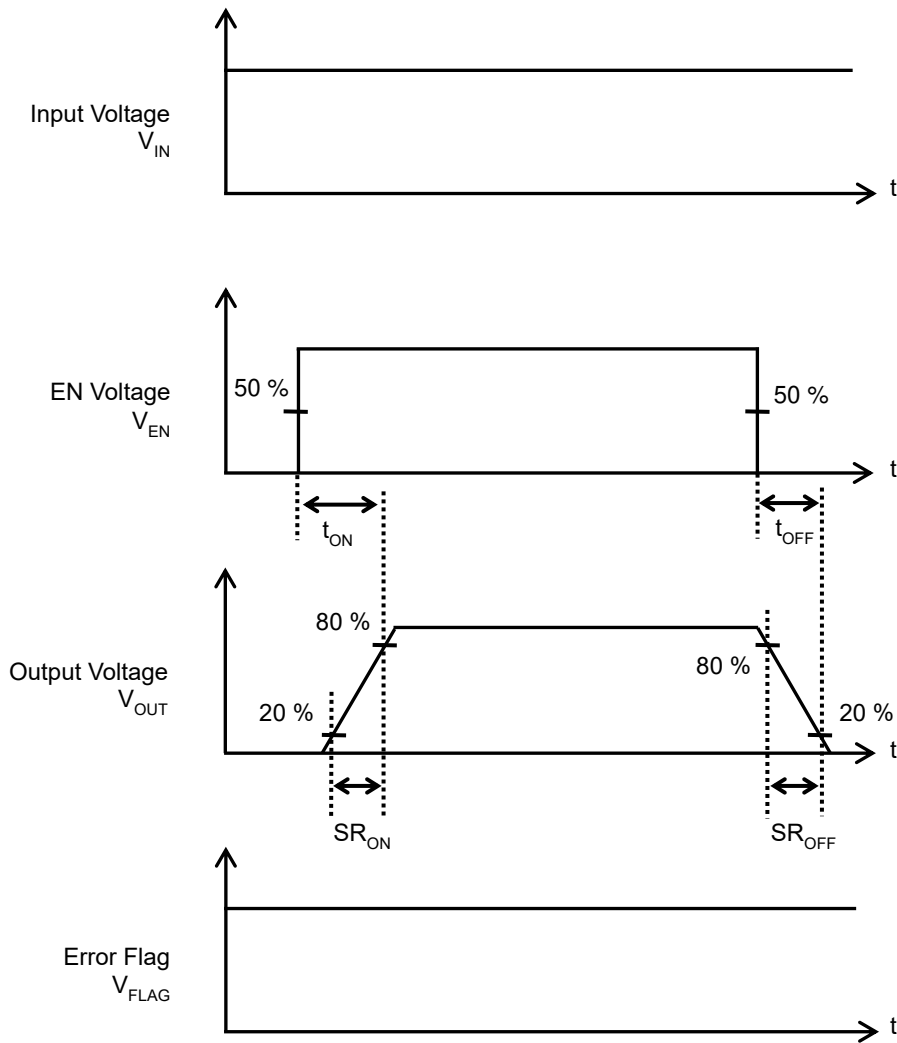


Figure 36. Output ON / OFF Timing Chart

Function Description

1. Truth Table

Table 1. Protection Detection and Error FLAG Output

Control Logic EN	Input Voltage V _{IN}	Junction Temperature T _j	Output Current I _{OUT}	Output State OUT	Error Flag Output V _{FLAG}	Mode
H	V _{IN} > V _{UVLO}	T _j < T _{TSD}	I _{OUT} < I _{OCD2}	ON	H	Normal
			I _{OUT} > I _{OCD2}	ON	H	Overcurrent Detection
			I _{OUT} > I _{OCD2} t _{BLANK} after	Latch Off	L	Latch Off (Note 1)
			I _{OUT} > I _{OCD1}	Output Limited	H	Overcurrent Limitation
	T _j > T _{TSD}	-	OFF	L	TSD protection	
	ΔT _j (Note 2) > T _{DTJ}	-	OFF	L	ΔT _j protection	
	V _{IN} < V _{UVLO}	-	-	OFF	H	Stand-by
L	-	-	-	OFF	H	Stand-by

(Note 1) When thermal shutdown protection is triggered while overcurrent protection is active, output is Latch Off even if t < t_{BLANK}. The condition of Latch Off release is switching of EN voltage (V_{EN}) or IN voltage (V_{IN}).

(Note 2) The temperature difference of Power MOS FET and control in the IC.

Function Description – continued

2. Overcurrent Protection

This IC has two overcurrent detection functions: Fixed Overcurrent Limit (I_{OCD1}) to protect the IC and Variable Overcurrent Detection (I_{OCD2}) to protect the load. Variable Overcurrent Detection (I_{OCD2}) is set by an external resistor R_{LIM} at the ILIM Pin.

2.1 Latch-off due to Fixed Overcurrent Limit (I_{OCD1})

Figure 37 and Figure 38 show the timing chart of the Latch-off function when Fixed Overcurrent Limit (I_{OCD1}) is detected.

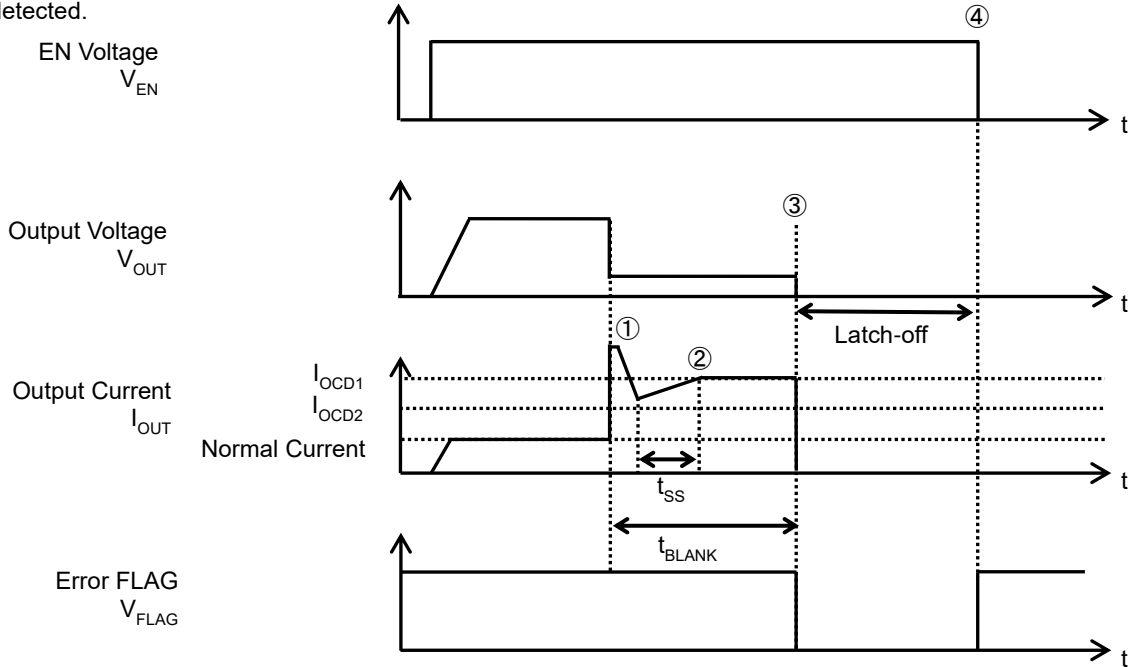


Figure 37. The timing chart with Latch-off when I_{OUT} after Fixed Overcurrent Limit (I_{OCD1}) detection is equal to I_{OCD2} or higher

- ① When I_{OUT} exceeds the Fixed Overcurrent Limit (I_{OCD1}), I_{OUT} decreases momentarily then becomes $I_{OUT} \geq I_{OCD2}$.
- ② I_{OUT} increases until it reaches I_{OCD1} .
The time it takes for $I_{OUT} = I_{OCD1}$ (t_{SS}) depends on the setting of Soft Start Function by external resistor R_{SS} (Table 3, 4). When $I_{OUT} = I_{OCD1}$, Output voltage (V_{OUT}) = Load resistance (R_L) × Fixed Overcurrent Limit (I_{OCD1})
- ③ When I_{OUT} exceeds the Variable Overcurrent Detection (I_{OCD2}) and the duration exceeds t_{BLANK} , output is latched off and Error FLAG V_{FLAG} is set to Low.
- ④ When EN is turned OFF, Latch-Off function is released and Error FLAG V_{FLAG} is set to High.

2.1 Latch-off due to Fixed Overcurrent Limit (I_{OCD1}) – continued

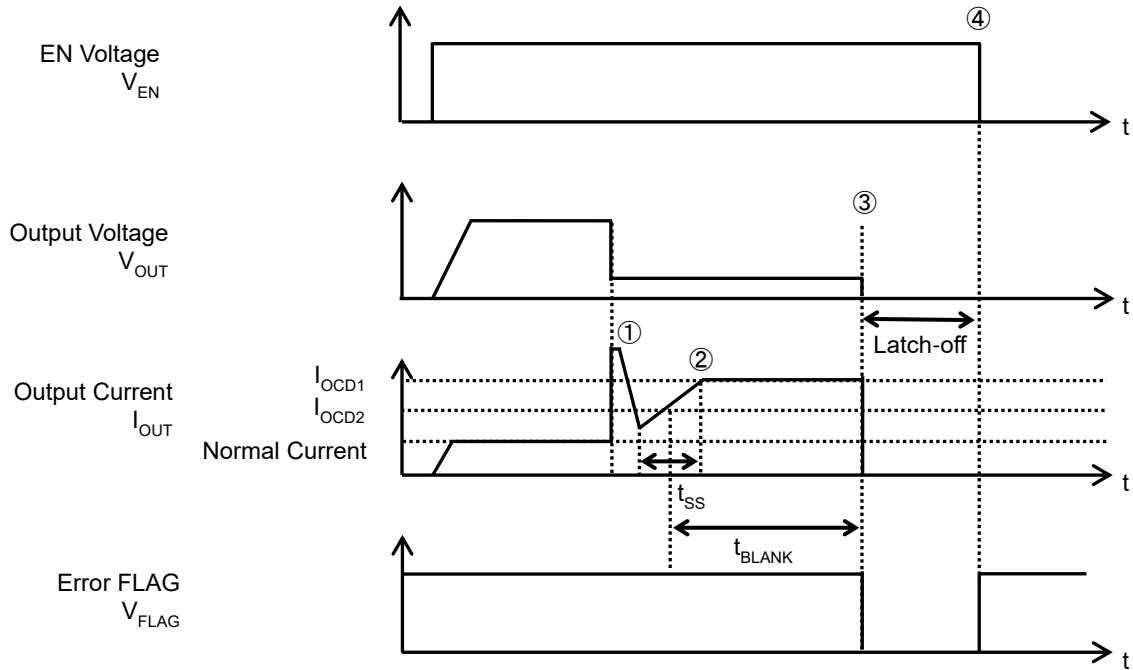


Figure 38. The timing chart with Latch-off when I_{OUT} after Fixed Overcurrent Limit (I_{OCD1}) detection is less than I_{OCD2}

- ① When I_{OUT} exceeds the Fixed Overcurrent Limit (I_{OCD1}), I_{OUT} decreases momentarily then becomes $I_{OUT} < I_{OCD2}$.
- ② I_{OUT} increases until it reaches I_{OCD1} .
The time it takes for $I_{OUT} = I_{OCD1}$ (t_{SS}) depends on the setting of Soft Start Function by external resistor R_{SS} (Table 3, 4). When $I_{OUT} = I_{OCD1}$, Output voltage (V_{OUT}) = Load resistance (R_L) × Fixed Overcurrent Limit (I_{OCD1})
- ③ When I_{OUT} exceeds the Variable Overcurrent Detection (I_{OCD2}) and the duration exceeds t_{BLANK} , output is latched off and Error FLAG V_{FLAG} is set to Low.
- ④ When EN is turned OFF, Latch-Off function is released and Error FLAG V_{FLAG} is set to High.

2. Overcurrent Protection – continued

2.2 Duration of Fixed Overcurrent Limit (I_{OCD1}) is less than t_{BLANK}

Figure 39 and Figure 40 show the timing chart without the Latch-off function when Fixed Overcurrent Limit (I_{OCD1}) is detected.

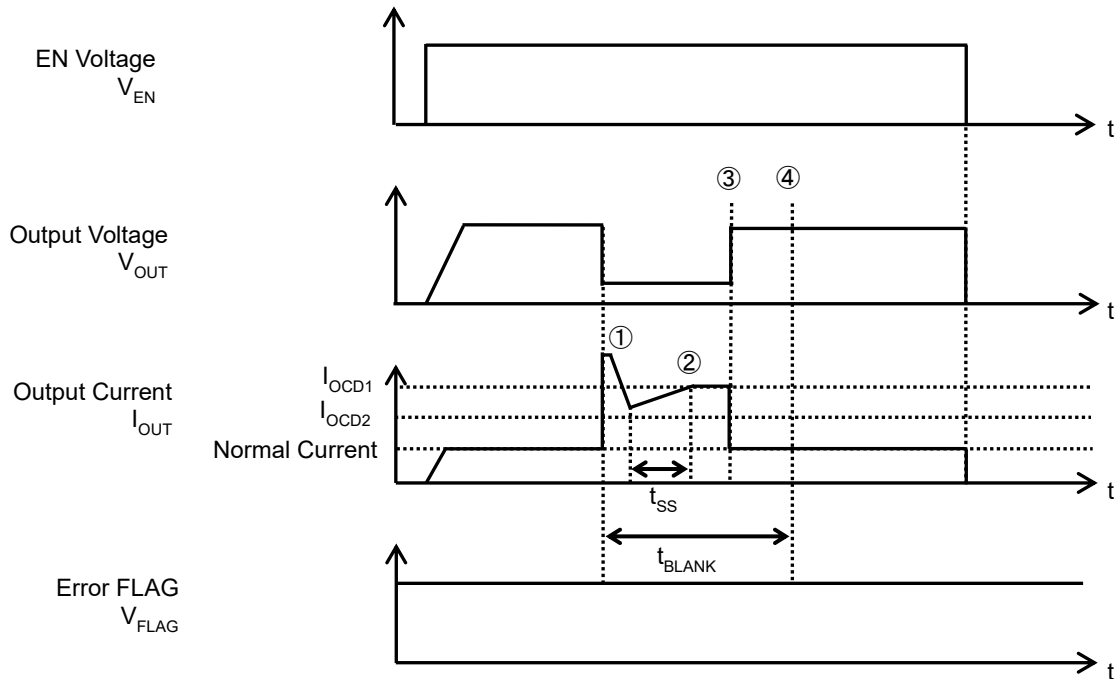


Figure 39. The timing chart without Latch-off when I_{OUT} after Fixed Overcurrent Limit (I_{OCD1}) detection is equal to I_{OCD2} or higher

- ① When I_{OUT} exceeds the Fixed Overcurrent Limit (I_{OCD1}), I_{OUT} decreases momentarily then becomes $I_{OUT} \geq I_{OCD2}$.
- ② I_{OUT} increases until it reaches I_{OCD1} .
The time it takes for $I_{OUT} = I_{OCD1}$ (t_{SS}) depends on the setting of Soft Start Function by external resistor R_{SS} (Table 3, 4). When $I_{OUT} = I_{OCD1}$, Output voltage (V_{OUT}) = Load resistance (R_L) \times Fixed Overcurrent Limit (I_{OCD1})
- ③ When the duration where I_{OUT} exceeds the Variable Overcurrent Detection (I_{OCD2}) is less than t_{BLANK} , the output does not latch off.
- ④ Indicates t_{BLANK} .

2.2 Duration of Fixed Overcurrent Limit (I_{OCD1}) is less than t_{BLANK} – continued

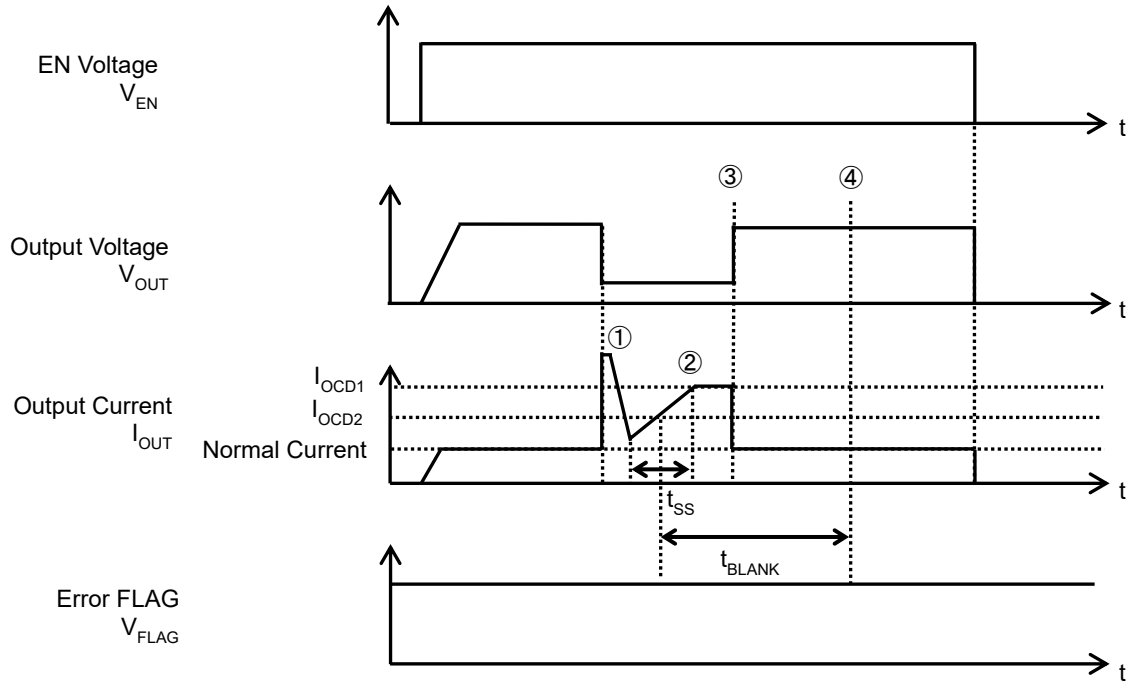


Figure 40. The timing chart without Latch-off when I_{OUT} after Fixed Overcurrent Limit (I_{OCD1}) detection is less than I_{OCD2}

- ① When I_{OUT} exceeds the Fixed Overcurrent Limit (I_{OCD1}), I_{OUT} decreases momentarily then becomes $I_{OUT} < I_{OCD2}$.
- ② I_{OUT} increases until it reaches I_{OCD1} .
The time it takes for $I_{OUT} = I_{OCD1}$ (t_{SS}) depends on the setting of Soft Start Function by external resistor R_{SS} (Table 3, 4). When $I_{OUT} = I_{OCD1}$, Output voltage (V_{OUT}) = Load resistance (R_L) × Fixed Overcurrent Limit (I_{OCD1})
- ③ When the duration where I_{OUT} exceeds the Variable Overcurrent Detection (I_{OCD2}) is less than t_{BLANK} , the output does not latch off.
- ④ Indicates t_{BLANK} .

2. Overcurrent Protection – continued

2.3 Latch-off due to Variable Overcurrent Detection (I_{OCD2})

Figure 41 shows the timing chart of the Latch-off function when Variable Overcurrent Detection (I_{OCD2}) is detected.

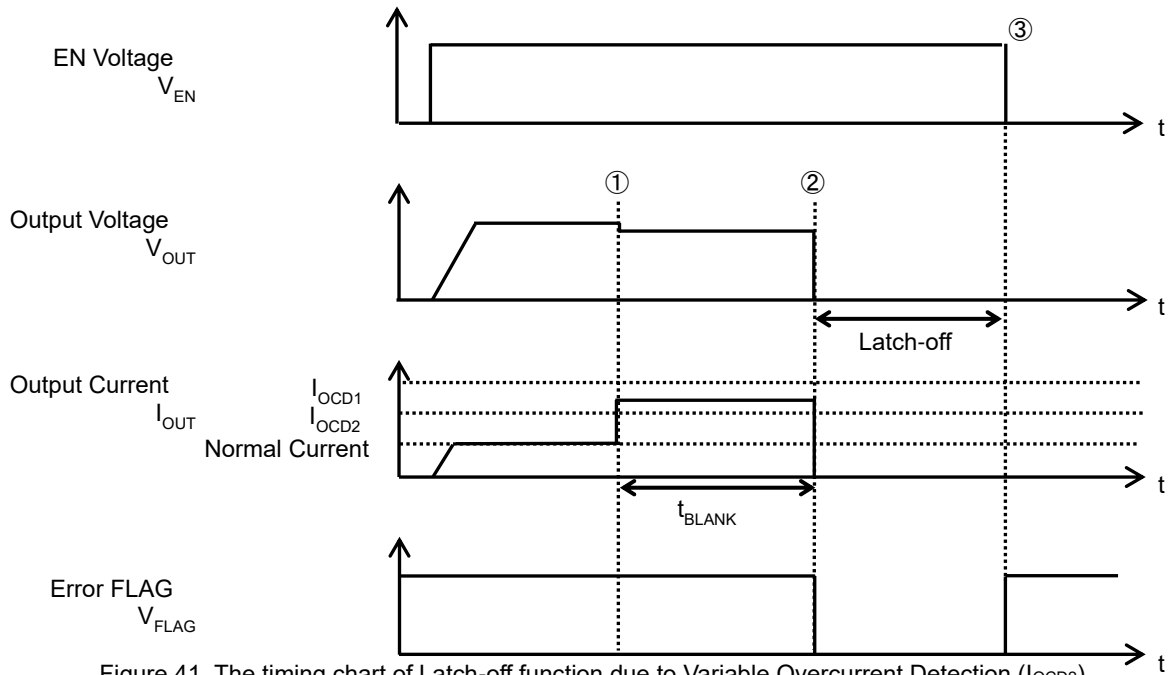


Figure 41. The timing chart of Latch-off function due to Variable Overcurrent Detection (I_{OCD2})

- ① When I_{OUT} exceeds the Variable Overcurrent Detection (I_{OCD2}) but is the Fixed Overcurrent Limit (I_{OCD1}) or less, I_{OUT} is not limited.
- ② When I_{OUT} exceeds the Variable Overcurrent Detection (I_{OCD2}) and the duration exceeds t_{BLANK} , output is latched off and Error FLAG is set to Low.
- ③ When EN is turned OFF, Latch-Off function is released and Error FLAG is set to High.

2.4 Duration of Variable Overcurrent Detection (I_{OCD2}) is less than t_{BLANK}

Figure 42 shows the timing chart without the Latch-off function when Variable Overcurrent Detection (I_{OCD2}) is detected.

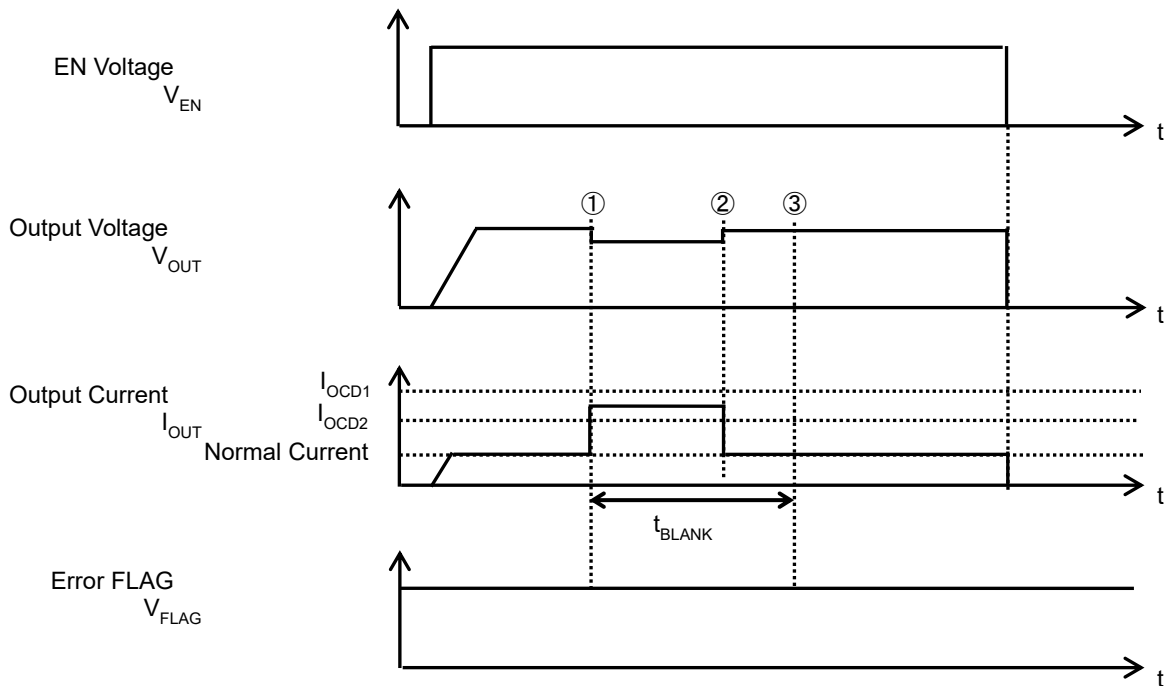


Figure 42. The timing chart of Variable Overcurrent Detection (I_{OCD2}) without latch-off function

- ① When I_{OUT} exceeds the Variable Overcurrent Detection (I_{OCD2}) but is the Fixed Overcurrent Limit (I_{OCD1}) or less, I_{OUT} is not limited.
- ② When the duration where I_{OUT} exceeds the Variable Overcurrent Detection (I_{OCD2}) is less than t_{BLANK} , the output does not latch off.
- ③ Indicates t_{BLANK} .

2. Overcurrent Protection – continued

2.5 Setting Variable Overcurrent Detection

This IC has a Variable Overcurrent Detection (I_{OCD2}) that can be set by an external resistor R_{LIM} . The Variable Overcurrent Detection (I_{OCD2}) value is set by R_{LIM} value as shown below. R_{LIM} should be set from 50 k Ω to 200 k Ω .

Table 2. Variable Overcurrent Detection against R_{LIM} Value

R_{LIM} [k Ω]	Variable Overcurrent Detection (I_{OCD2}) [A]		
	Min	Typ	Max
50	6.48	9.94	13.42
70	5.53	8.51	11.49
100	3.77	5.80	7.83
120	3.26	5.01	6.77
130	3.01	4.63	6.25
170	2.21	3.41	4.60
200	2.18	3.35	4.52

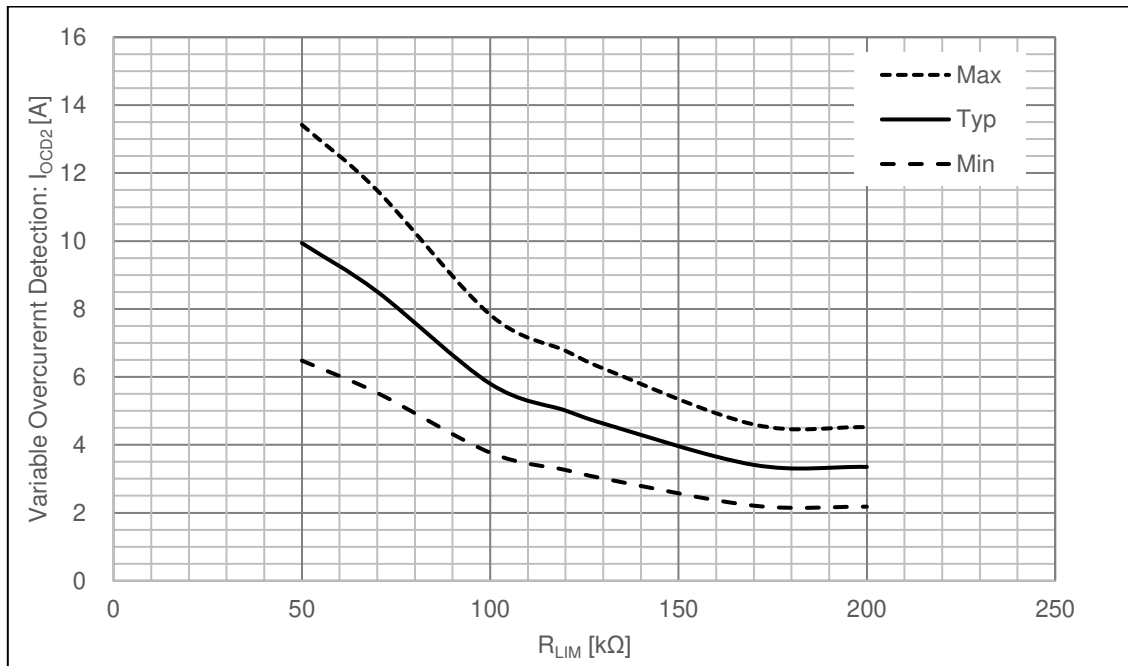


Figure 43. Variable Overcurrent Detection vs R_{LIM}

Function Description – continued

3. Setting Soft Start Function

This IC has a soft start function that can be set by an external resistor R_{SS} .

The output on delay time (t_{ON}) and output on slew rate (SR_{ON}) set against R_{SS} value at $V_{IN} = 12\text{ V}$ and $V_{IN} = 24\text{ V}$ is shown below. Set R_{SS} within 15 k Ω to 120 k Ω range. (Note 1) (Note 2)

Table 3. Output ON Delay Time against R_{SS} Value ($T_j = 25\text{ }^\circ\text{C}$)

R_{SS} [k Ω]	Output ON Delay Time (t_{ON}) [ms]					
	$V_{IN} = 12\text{ V}$			$V_{IN} = 24\text{ V}$		
	Min	Typ	Max	Min	Typ	Max
15	7.08	11.79	16.51	8.26	13.77	19.27
20	8.48	14.14	19.79	9.98	16.63	23.28
30	11.51	19.18	26.85	13.20	21.99	30.79
40	14.38	23.97	33.56	15.83	26.39	36.95
50	17.14	28.57	40.00	19.74	32.90	46.06
60	19.93	33.21	46.49	23.00	38.34	53.67
100	31.80	53.00	74.20	36.00	60.00	84.00
120	38.43	64.05	89.67	42.78	71.30	99.82

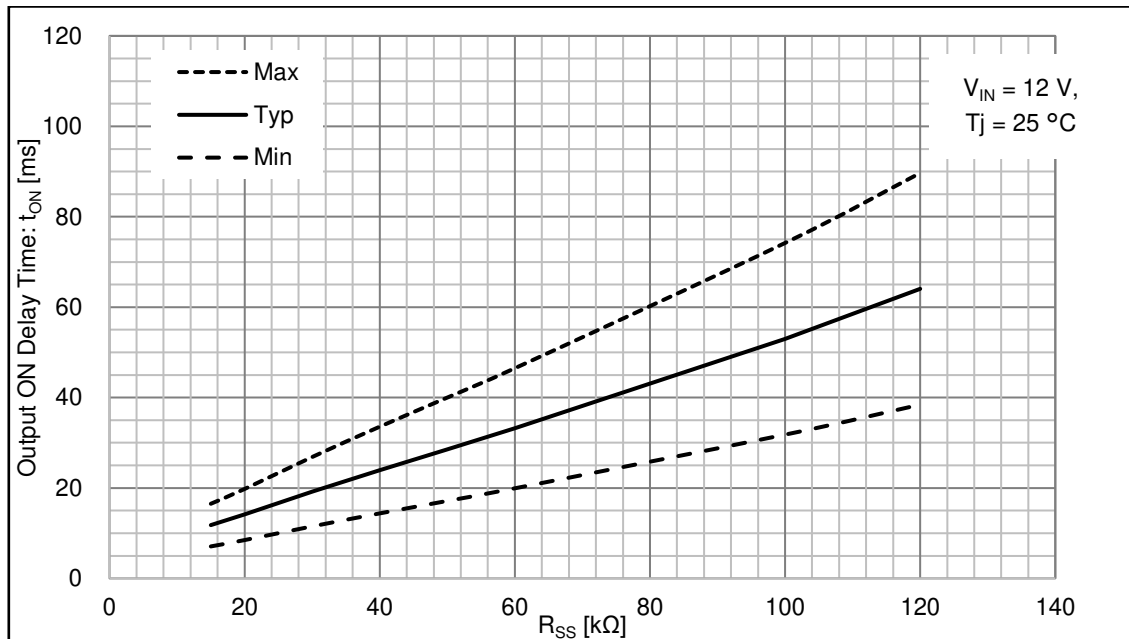


Figure 44. Output ON Delay Time vs R_{SS} ($V_{IN} = 12\text{ V}$, $T_j = 25\text{ }^\circ\text{C}$)

(Note 1) In the case that V_{IN} is 12 V, the Approximate expression for the output rising edge delay time (t_{ON}) set against R_{SS} value is expressed in the equation below.

$$t_{ON} (Typ) = 0.50 \times R_{SS} + 4.32$$

3. Setting Soft Start Function – continued

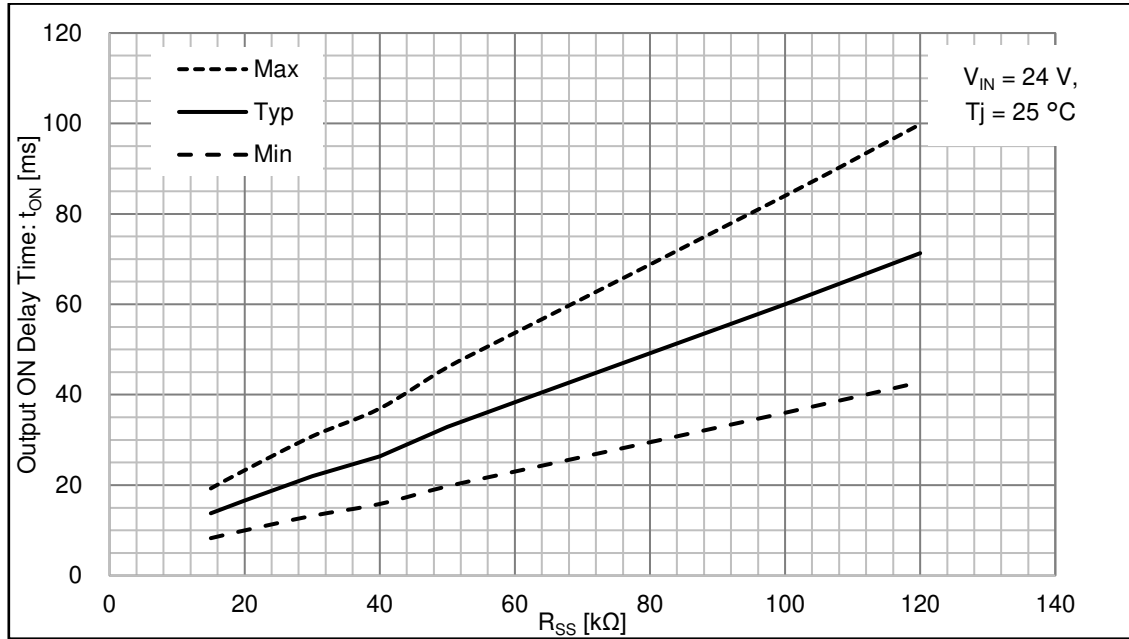


Figure 45. Output ON Delay Time vs R_{SS} ($V_{IN} = 24\text{ V}$, $T_j = 25\text{ }^\circ\text{C}$)

(Note 2) In the case that V_{IN} is 24 V, the Approximate expression for the output rising edge delay time (t_{ON}) set against R_{SS} value is expressed in the equation below.

$$t_{ON} (Typ) = 0.55 \times R_{SS} + 5.55$$

3. Setting Soft Start Function – continued

Table 4. Output ON Slew Rate against R_{SS} Value (T_j = 25 °C)

R _{SS} [kΩ]	Output ON Slew Rate (SR _{ON}) [V/ms]					
	V _{IN} = 12 V			V _{IN} = 24 V		
	Min	Typ	Max	Min	Typ	Max
15	0.72	1.21	1.69	1.09	1.82	2.55
20	0.61	1.01	1.42	0.94	1.57	2.19
30	0.45	0.74	1.04	0.67	1.11	1.56
40	0.36	0.60	0.84	0.55	0.92	1.28
50	0.30	0.50	0.70	0.46	0.76	1.07
60	0.26	0.43	0.60	0.40	0.66	0.93
100	0.16	0.27	0.38	0.24	0.40	0.56
120	0.13	0.22	0.31	0.20	0.34	0.47

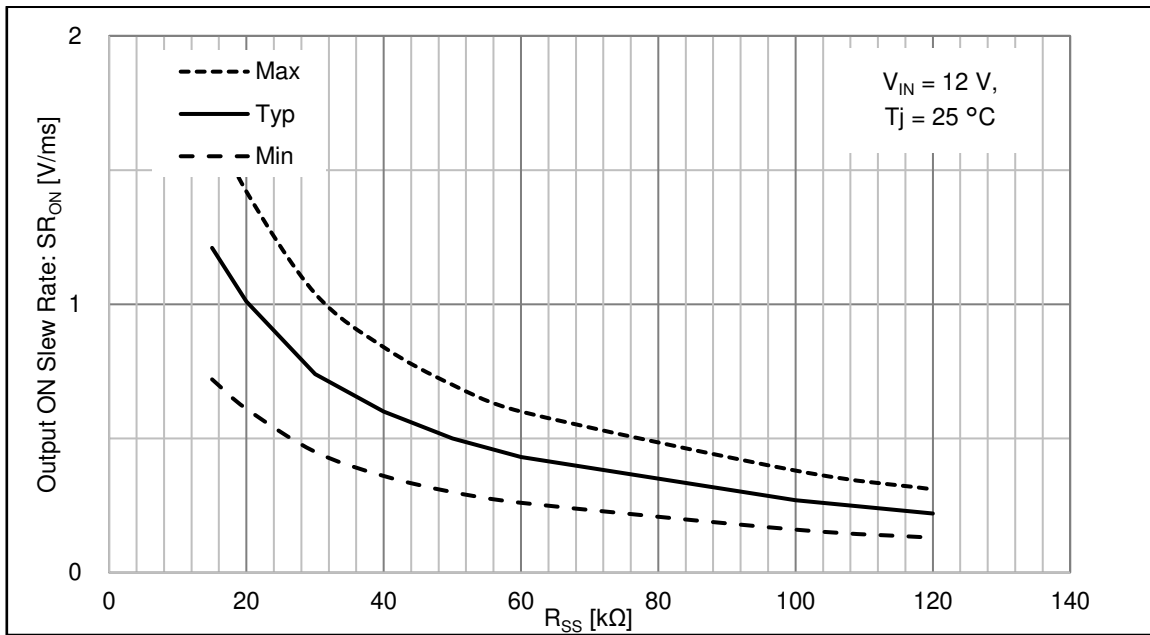


Figure 46. Output ON Slew Rate vs R_{SS} (V_{IN} = 12 V, T_j = 25 °C)

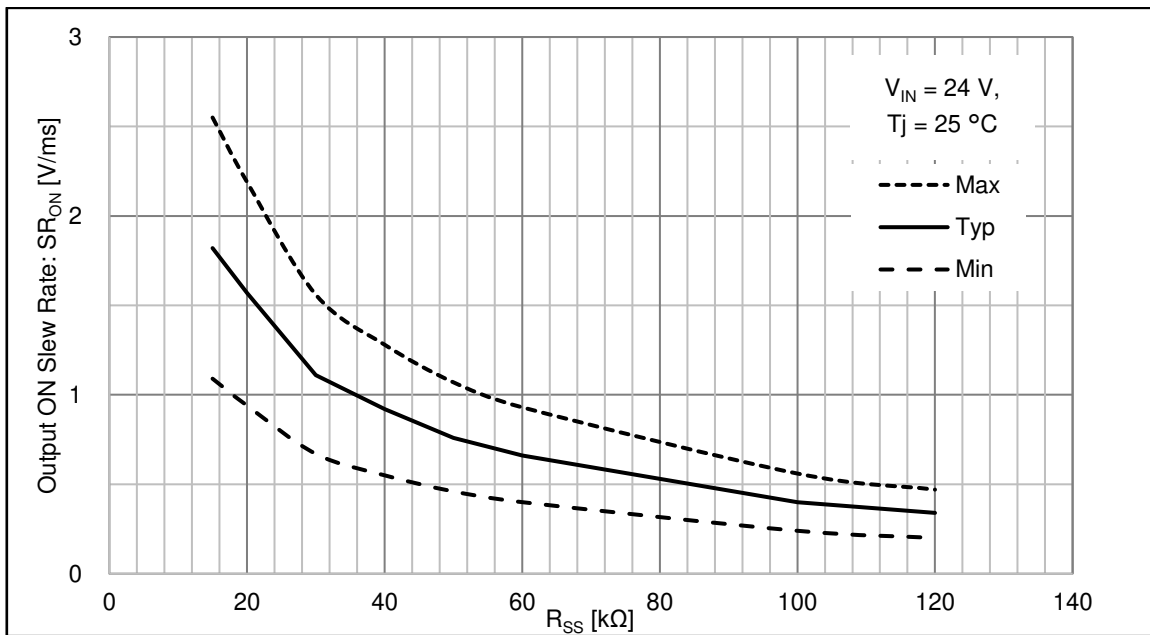


Figure 47. Output ON Slew Rate vs R_{SS} (V_{IN} = 24 V, T_j = 25 °C)

Function Description – continued

4. Thermal Shutdown Function, ΔT_j Protection Function

4.1 Thermal Shutdown Function (Thermal Shutdown Detection T_{TSD} , Thermal Shutdown Hysteresis T_{TSDHYS})

This IC has a built-in TSD function. When the temperature of the IC reaches Thermal Shutdown Detection (T_{TSD}) = 175 °C (Typ) or more, the output is turned off, and the FLAG outputs Low. Hysteresis (T_{TSDHYS}) is installed for thermal shutdown function, and output automatically returns to normal when chip temperature become 160 °C (Typ) or less. The condition for Latch-Off is when Variable Overcurrent Detection (I_{OCD2}) is reached and the temperature of IC reaches Thermal Shutdown Detection (T_{TSD}) = 175 °C (Typ) or more. The condition for Latch-off Release is the switching of EN voltage (V_{EN}) or IN voltage (V_{IN}).

4.2 ΔT_j Protection Function (ΔT_j Protection T_{DTJ} , ΔT_j Protection Hysteresis T_{DTJHYS})

This IC has a ΔT_j protection function. The output is turned off when chip temperature difference (ΔT_j) of Power MOS FET ($T_{POWER-MOS}$) and control (T_{AMB}) in the IC rises to 105 °C (Typ) or more. Furthermore, hysteresis (T_{DTJHYS}) is installed for ΔT_j protection function, and returns to its normal state when ΔT_j becomes 75 °C (Typ) or less.

Figure 48 is shown that the timing chart of thermal shutdown function and ΔT_j protection function with Latch-off function.

The condition for Latch-off is when Thermal Shutdown Detection (T_{TSD}) is operated and Variable Overcurrent Detection (I_{OCD2}) is reached.

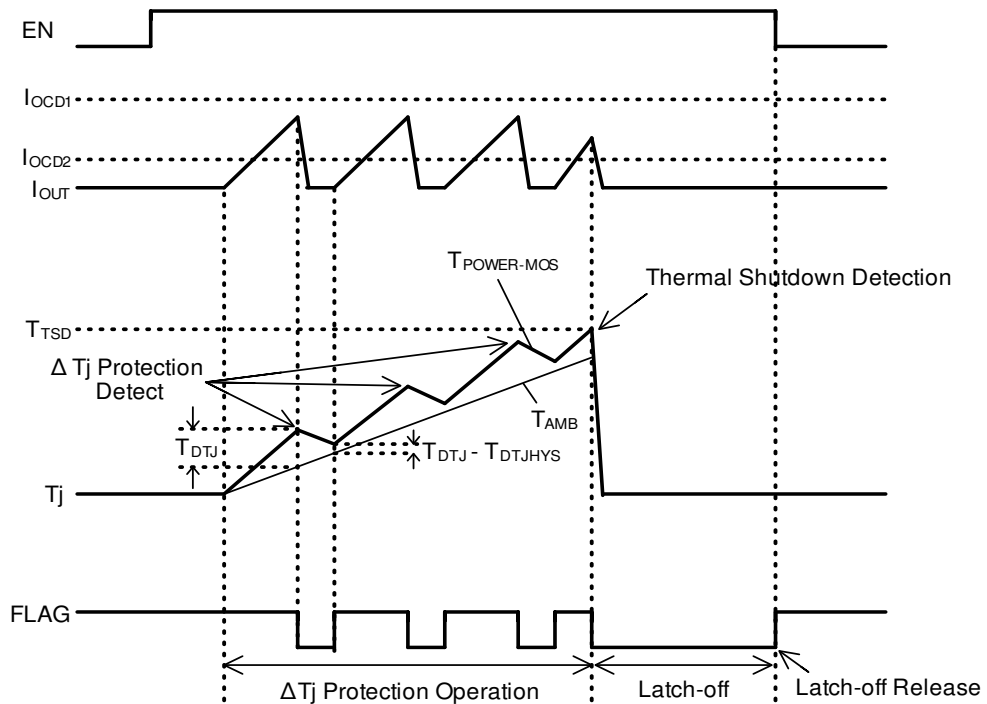


Figure 48. Timing chart of thermal shutdown function and ΔT_j protection function with Latch-off function

4.2 ΔT_j Protection Function (ΔT_j Protection T_{DTJ} , ΔT_j Protection Hysteresis T_{DTJHYS}) – continued

Figure 49 is shown that the timing chart of thermal shutdown function and ΔT_j protection function without Latch-off function.

The condition for without the activation of the Latch-off is when Thermal Shutdown Detection (T_{TSD}) is operated and Variable Overcurrent Detection (I_{OCD2}) is not reached.

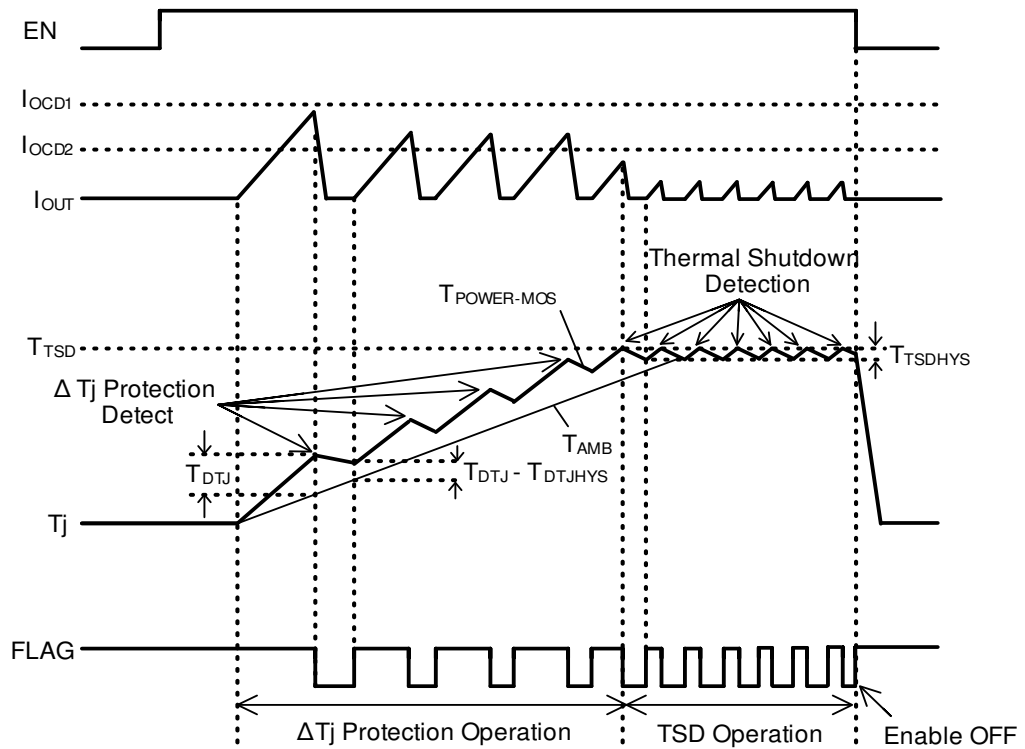


Figure 49. Timing chart of thermal shutdown function and ΔT_j protection function without Latch-off function

4.3 The case of connecting the capacitance load

At startup, the load connected is used to detect ΔT_j protection function. The R_{SS} region where ΔT_j protection function is detected versus the output current (I_{OUT})^(Note 3) are shown in Figure 50 to Figure 55^(Note 4). Pay attention to detect ΔT_j protection function.

(Note 3) I_{OUT} is not including the capacitance load current at startup.
 (Note 4) This results are used evaluation board of ROHM.

4.3 The case of connecting the capacitance load – continued

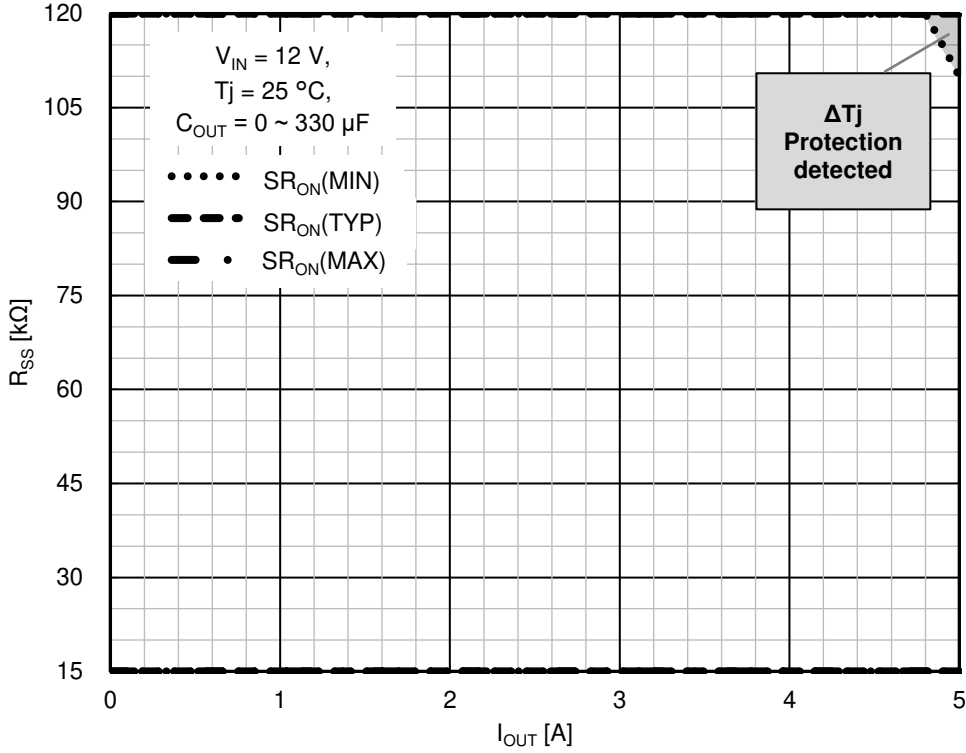


Figure 50. ΔT_j protection function detection region at startup ($V_{IN} = 12 \text{ V}$, $C_{OUT} = 0 \text{ to } 330 \text{ } \mu\text{F}$)

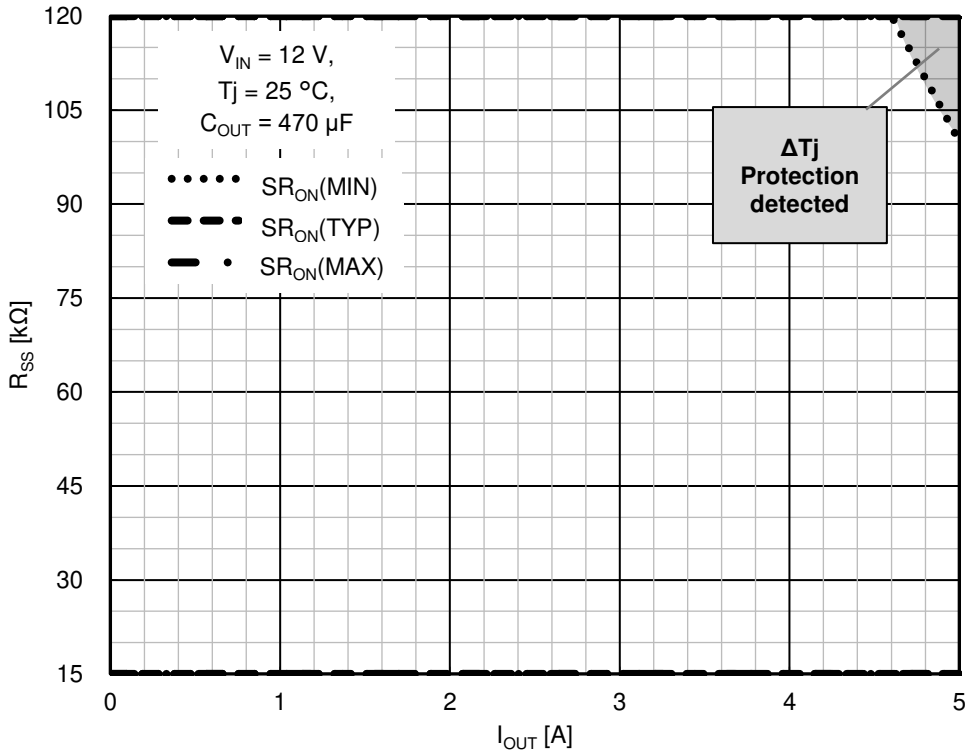


Figure 51. ΔT_j protection function detection region at startup ($V_{IN} = 12 \text{ V}$, $C_{OUT} = 470 \text{ } \mu\text{F}$)

4.3 The case of connecting the capacitance load – continued

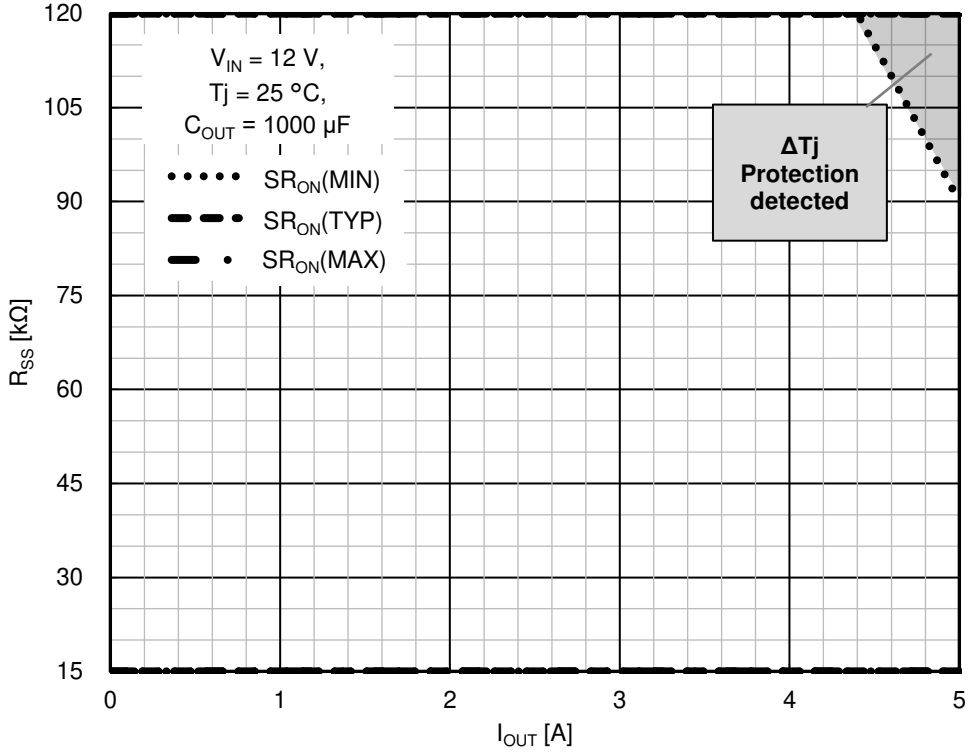


Figure 52. ΔTj protection function detection region at startup ($V_{IN} = 12\text{ V}$, $C_{OUT} = 1000\text{ }\mu\text{F}$)

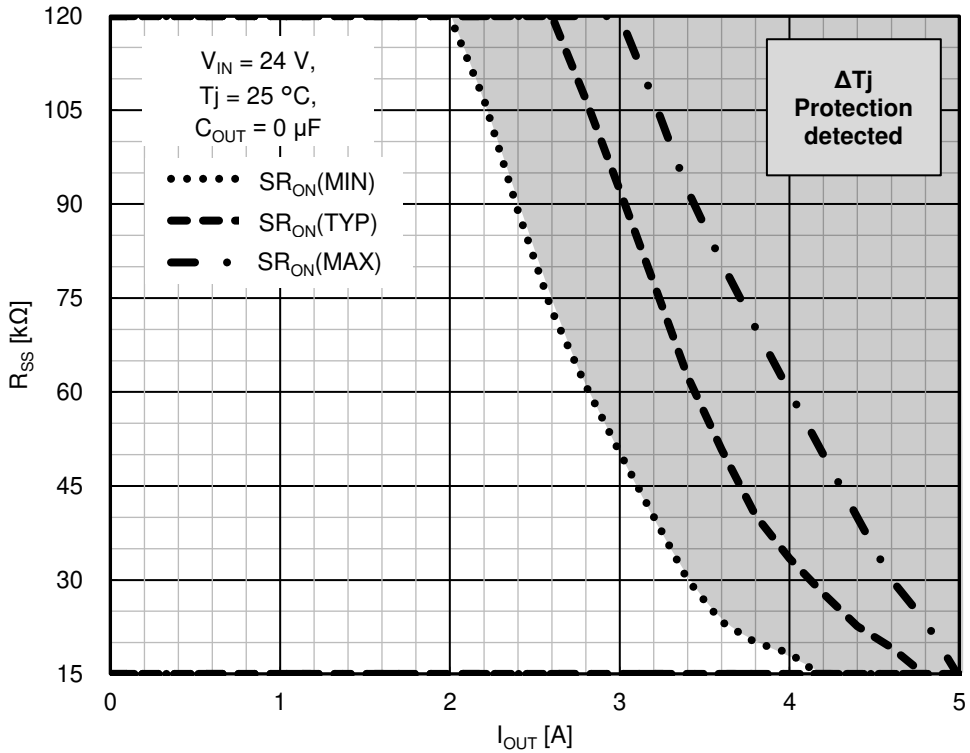


Figure 53. ΔTj protection function detection region at startup ($V_{IN} = 24\text{ V}$, $C_{OUT} = 0\text{ }\mu\text{F}$)

4.3 The case of connecting the capacitance load – continued

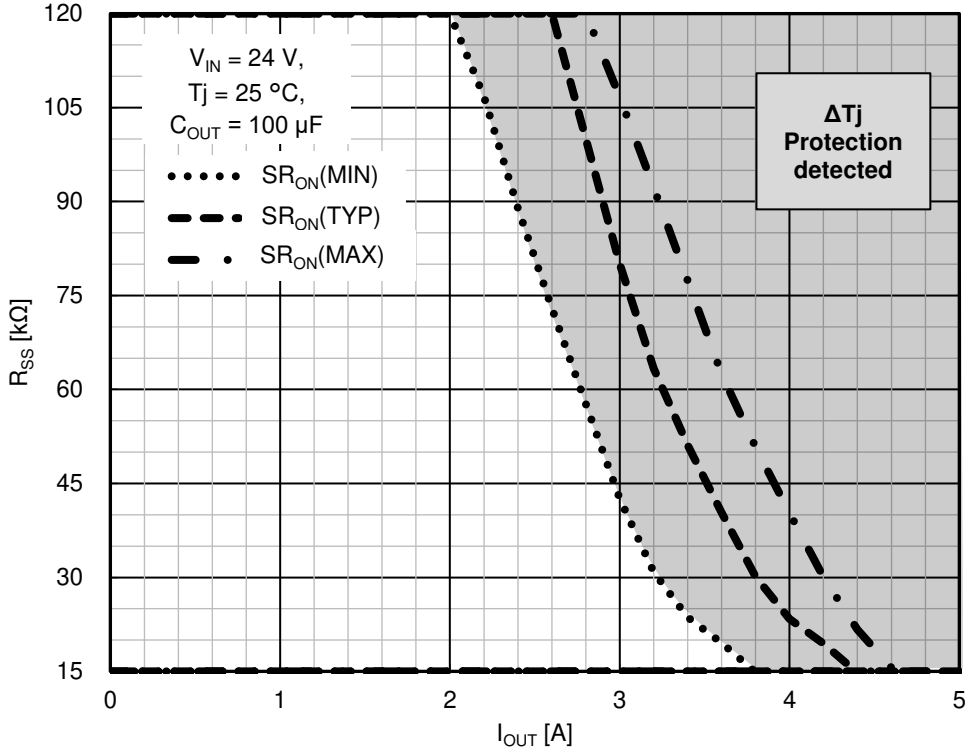


Figure 54. ΔT_j protection function detection region at startup ($V_{IN} = 24 \text{ V}$, $C_{OUT} = 100 \text{ } \mu\text{F}$)

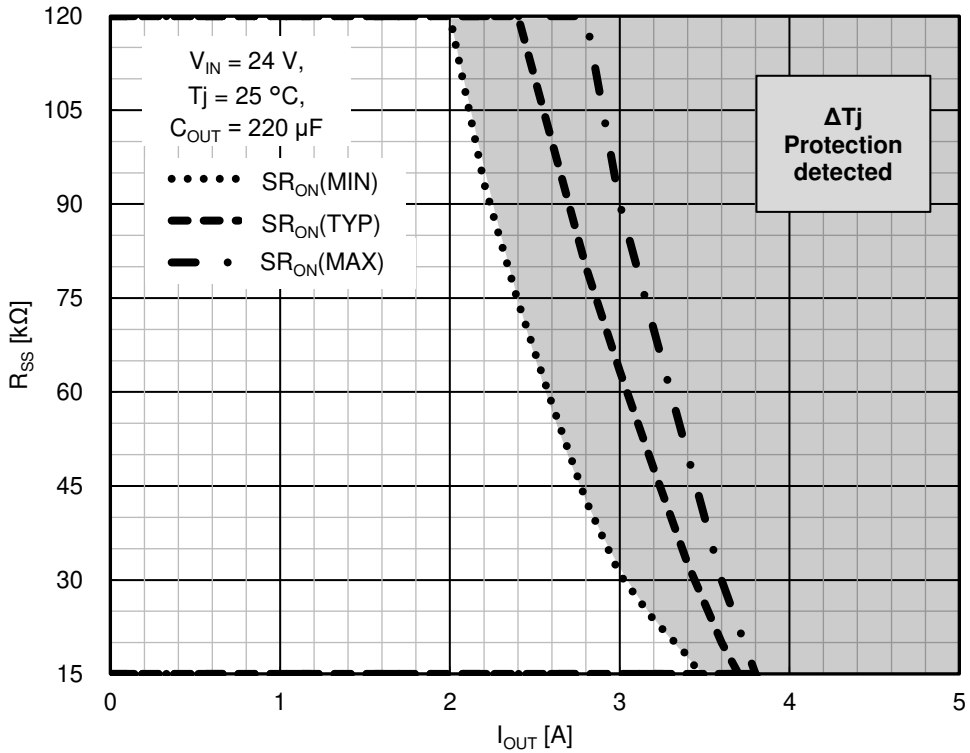


Figure 55. ΔT_j protection function detection region at startup ($V_{IN} = 24 \text{ V}$, $C_{OUT} = 220 \text{ } \mu\text{F}$)

4.3 The case of connecting the capacitance load – continued

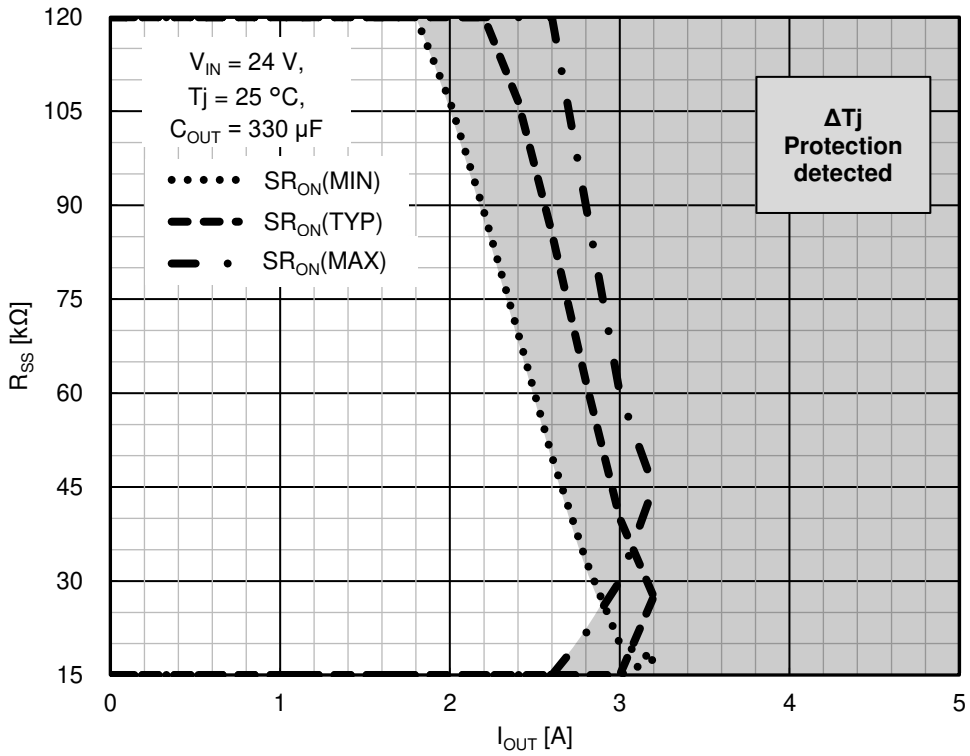


Figure 56. ΔTj protection function detection region at startup ($V_{IN} = 24 \text{ V}$, $C_{OUT} = 330 \text{ } \mu\text{F}$)

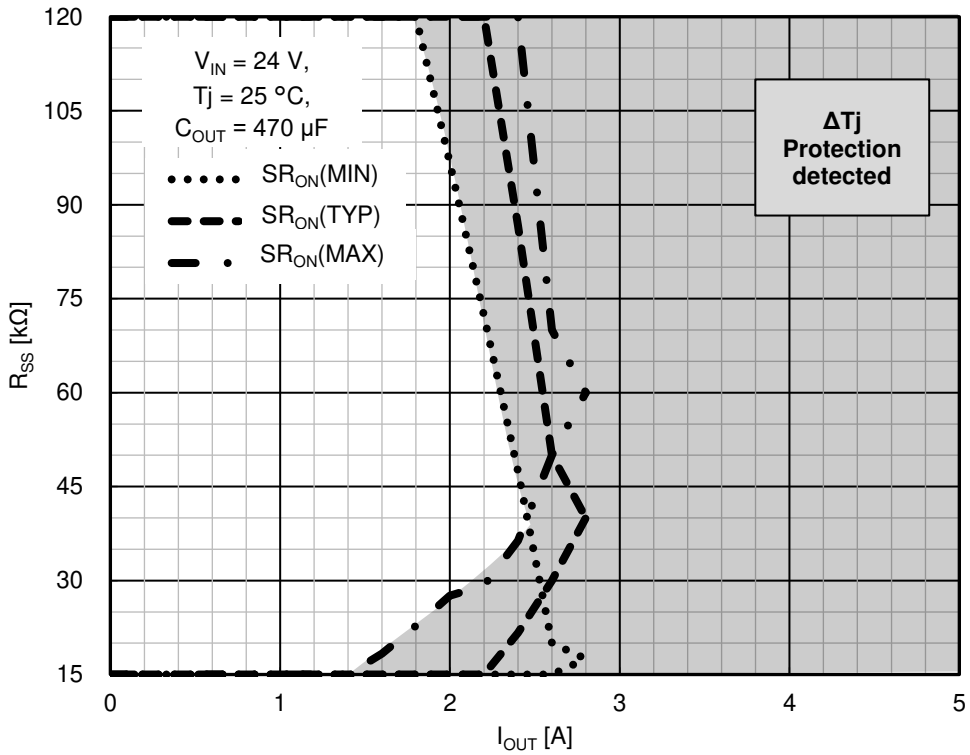


Figure 57. ΔTj protection function detection region at startup ($V_{IN} = 24 \text{ V}$, $C_{OUT} = 470 \text{ } \mu\text{F}$)

4.3 The case of connecting the capacitance load – continued

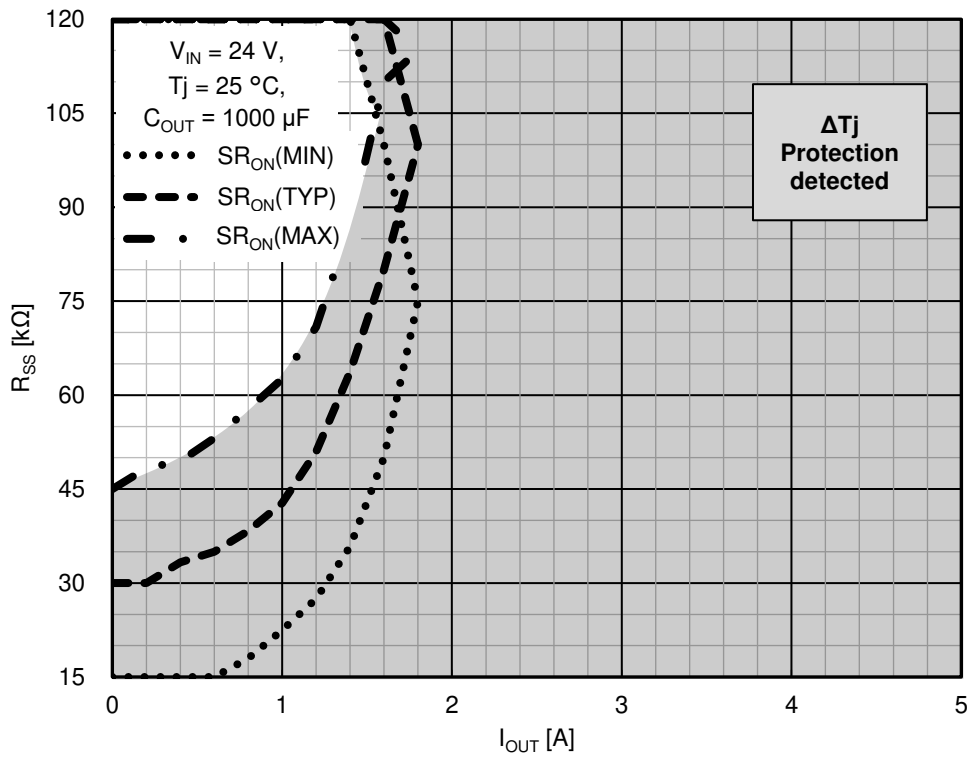
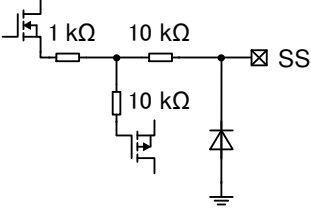
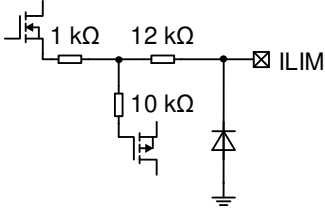
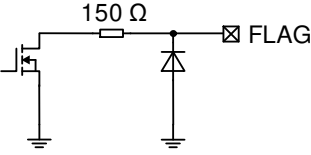
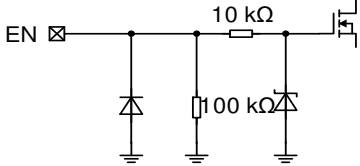
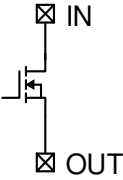


Figure 58. ΔT_j protection function detection region at startup ($V_{IN} = 24 \text{ V}$, $C_{OUT} = 1000 \text{ } \mu\text{F}$)

5. Output Load is Open

When EN is OFF and no load is connected to OUT, output voltage does not fall to GND potential.

I/O Equivalence Circuit

<p style="text-align: center;">SS</p> 	<p style="text-align: center;">ILIM</p> 
<p style="text-align: center;">FLAG</p> 	<p style="text-align: center;">EN</p> 
<p style="text-align: center;">OUT</p> 	

Resistance in the figures are typical values.

Operational Notes

1. Reverse Connection of Power Supply

Connecting the power supply in reverse polarity can damage the IC. Take precautions against reverse polarity when connecting the power supply, such as mounting an external diode between the power supply and the IC's power supply pins.

2. Power Supply Lines

Design the PCB layout pattern to provide low impedance supply lines. Furthermore, connect a capacitor to ground at all power supply pins. Consider the effect of temperature and aging on the capacitance value when using electrolytic capacitors.

3. Ground Voltage

Ensure that no pins are at a voltage below that of the ground pin at any time, even during transient condition.

4. Ground Wiring Pattern

When using both small-signal and large-current ground traces, the two ground traces should be routed separately but connected to a single ground at the reference point of the application board to avoid fluctuations in the small-signal ground caused by large currents. Also ensure that the ground traces of external components do not cause variations on the ground voltage. The ground lines must be as short and thick as possible to reduce line impedance.

5. Recommended Operating Conditions

The function and operation of the IC are guaranteed within the range specified by the recommended operating conditions. The characteristic values are guaranteed only under the conditions of each item specified by the electrical characteristics.

6. Inrush Current

When power is first supplied to the IC, it is possible that the internal logic may be unstable and inrush current may flow instantaneously due to the internal powering sequence and delays, especially if the IC has more than one power supply. Therefore, give special consideration to power coupling capacitance, power wiring, width of ground wiring, and routing of connections.

7. Testing on Application Boards

When testing the IC on an application board, connecting a capacitor directly to a low-impedance output pin may subject the IC to stress. Always discharge capacitors completely after each process or step. The IC's power supply should always be turned off completely before connecting or removing it from the test setup during the inspection process. To prevent damage from static discharge, ground the IC during assembly and use similar precautions during transport and storage.

8. Inter-pin Short and Mounting Errors

Ensure that the direction and position are correct when mounting the IC on the PCB. Incorrect mounting may result in damaging the IC. Avoid nearby pins being shorted to each other especially to ground, power supply and output pin. Inter-pin shorts could be due to many reasons such as metal particles, water droplets (in very humid environment) and unintentional solder bridge deposited in between pins during assembly to name a few.

9. Unused Input Pins

Input pins of an IC are often connected to the gate of a MOS transistor. The gate has extremely high impedance and extremely low capacitance. If left unconnected, the electric field from the outside can easily charge it. The small charge acquired in this way is enough to produce a significant effect on the conduction through the transistor and cause unexpected operation of the IC. So unless otherwise specified, unused input pins should be connected to the power supply or ground line.

10. Ceramic Capacitor

When using a ceramic capacitor, determine a capacitance value considering the change of capacitance with temperature and the decrease in nominal capacitance due to DC bias and others.

11. Thermal Shutdown Function (TSD)

This IC has a built-in thermal shutdown function that prevents heat damage to the IC. Normal operation should always be within the IC's maximum junction temperature rating. If however the rating is exceeded for a continued period, the junction temperature (T_j) will rise which will activate the TSD function that will turn OFF power output pins. When the T_j falls below the TSD threshold, the circuits are automatically restored to normal operation.

Note that the TSD function operates in a situation that exceeds the absolute maximum ratings and therefore, under no circumstances, should the TSD function be used in a set design or for any purpose other than protecting the IC from heat damage.

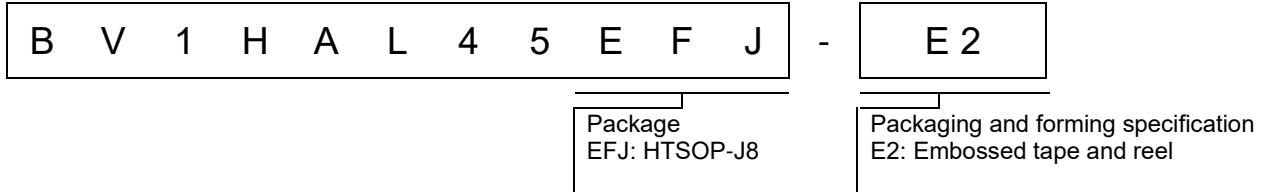
Operational Notes – continued**12. Over Current Protection Function (OCP)**

This IC incorporates an integrated overcurrent protection function that is activated when the load is shorted. This protection function is effective in preventing damage due to sudden and unexpected incidents. However, the IC should not be used in applications characterized by continuous operation or transitioning of the protection function.

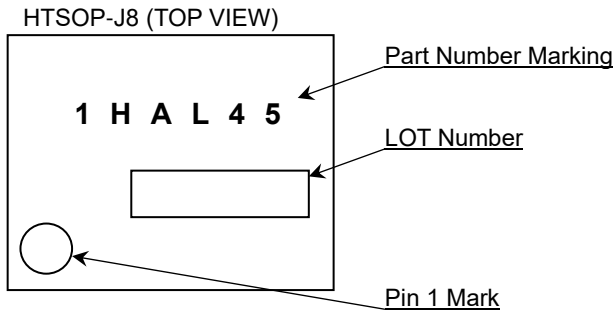
13. Active Clamp Operation

The IC integrates the active clamp function to internally absorb the reverse energy which is generated when the inductive load is turned off. When the active clamp operates, the thermal shutdown function does not work. Decide a load so that the reverse energy is active clamp tolerance (refer to Figure 28. Active Clamp Energy vs Output Current) or under when inductive load is used.

Ordering Information

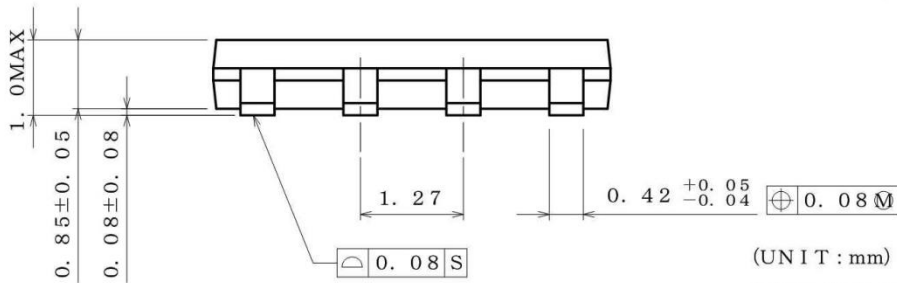
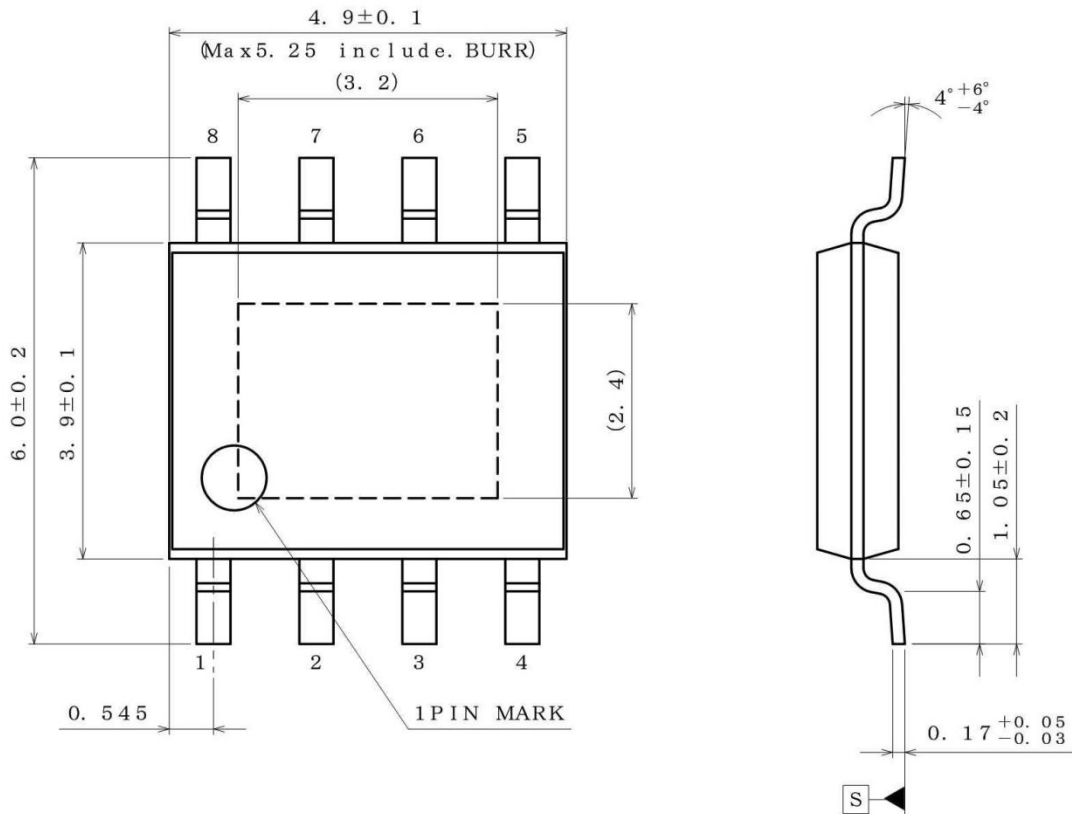


Marking Diagram



Physical Dimension and Packing Information

Package Name	HTSOP-J8
--------------	----------



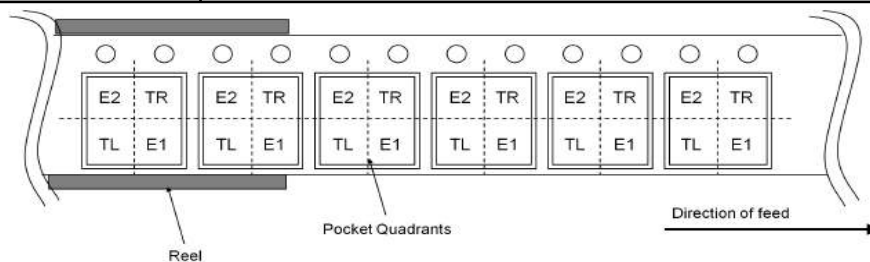
(UNIT : mm)

PKG : HTSOP-J8

Drawing No. EX169-5002-2

< Tape and Reel Information >

Tape	Embossed carrier tape
Quantity	2500pcs
Direction of feed	E2 The direction is the pin 1 of product is at the upper left when you hold reel on the left hand and you pull out the tape on the right hand



Revision History

Date	Revision	Changes
19.May.2020	001	New Release
28.Jun.2021	002	About the title of Figure 50,51,52,53,54,55, correct C_{OUT} value. About the title of Figure 51,52, correct V_{IN} value.
04.Sep.2023	003	About the correct value of pull-down resistance at EN Pin in I/O Equivalence Circuit. About the correct value of internal resistance at SS Pin in I/O Equivalence Circuit.

Notice

Precaution on using ROHM Products

- Our Products are designed and manufactured for application in ordinary electronic equipment (such as AV equipment, OA equipment, telecommunication equipment, home electronic appliances, amusement equipment, etc.). If you intend to use our Products in devices requiring extremely high reliability (such as medical equipment ^(Note 1), transport equipment, traffic equipment, aircraft/spacecraft, nuclear power controllers, fuel controllers, car equipment including car accessories, safety devices, etc.) and whose malfunction or failure may cause loss of human life, bodily injury or serious damage to property ("Specific Applications"), please consult with the ROHM sales representative in advance. Unless otherwise agreed in writing by ROHM in advance, ROHM shall not be in any way responsible or liable for any damages, expenses or losses incurred by you or third parties arising from the use of any ROHM's Products for Specific Applications.

(Note1) Medical Equipment Classification of the Specific Applications

JAPAN	USA	EU	CHINA
CLASS III	CLASS III	CLASS II b	CLASS III
CLASS IV		CLASS III	

- ROHM designs and manufactures its Products subject to strict quality control system. However, semiconductor products can fail or malfunction at a certain rate. Please be sure to implement, at your own responsibilities, adequate safety measures including but not limited to fail-safe design against the physical injury, damage to any property, which a failure or malfunction of our Products may cause. The following are examples of safety measures:
 - Installation of protection circuits or other protective devices to improve system safety
 - Installation of redundant circuits to reduce the impact of single or multiple circuit failure
- Our Products are designed and manufactured for use under standard conditions and not under any special or extraordinary environments or conditions, as exemplified below. Accordingly, ROHM shall not be in any way responsible or liable for any damages, expenses or losses arising from the use of any ROHM's Products under any special or extraordinary environments or conditions. If you intend to use our Products under any special or extraordinary environments or conditions (as exemplified below), your independent verification and confirmation of product performance, reliability, etc. prior to use, must be necessary:
 - Use of our Products in any types of liquid, including water, oils, chemicals, and organic solvents
 - Use of our Products outdoors or in places where the Products are exposed to direct sunlight or dust
 - Use of our Products in places where the Products are exposed to sea wind or corrosive gases, including Cl₂, H₂S, NH₃, SO₂, and NO₂
 - Use of our Products in places where the Products are exposed to static electricity or electromagnetic waves
 - Use of our Products in proximity to heat-producing components, plastic cords, or other flammable items
 - Sealing or coating our Products with resin or other coating materials
 - Use of our Products without cleaning residue of flux (Exclude cases where no-clean type fluxes is used. However, recommend sufficiently about the residue.) ; or Washing our Products by using water or water-soluble cleaning agents for cleaning residue after soldering
 - Use of the Products in places subject to dew condensation
- The Products are not subject to radiation-proof design.
- Please verify and confirm characteristics of the final or mounted products in using the Products.
- In particular, if a transient load (a large amount of load applied in a short period of time, such as pulse, is applied, confirmation of performance characteristics after on-board mounting is strongly recommended. Avoid applying power exceeding normal rated power; exceeding the power rating under steady-state loading condition may negatively affect product performance and reliability.
- De-rate Power Dissipation depending on ambient temperature. When used in sealed area, confirm that it is the use in the range that does not exceed the maximum junction temperature.
- Confirm that operation temperature is within the specified range described in the product specification.
- ROHM shall not be in any way responsible or liable for failure induced under deviant condition from what is defined in this document.

Precaution for Mounting / Circuit board design

- When a highly active halogenous (chlorine, bromine, etc.) flux is used, the residue of flux may negatively affect product performance and reliability.
- In principle, the reflow soldering method must be used on a surface-mount products, the flow soldering method must be used on a through hole mount products. If the flow soldering method is preferred on a surface-mount products, please consult with the ROHM representative in advance.

For details, please refer to ROHM Mounting specification

Precautions Regarding Application Examples and External Circuits

1. If change is made to the constant of an external circuit, please allow a sufficient margin considering variations of the characteristics of the Products and external components, including transient characteristics, as well as static characteristics.
2. You agree that application notes, reference designs, and associated data and information contained in this document are presented only as guidance for Products use. Therefore, in case you use such information, you are solely responsible for it and you must exercise your own independent verification and judgment in the use of such information contained in this document. ROHM shall not be in any way responsible or liable for any damages, expenses or losses incurred by you or third parties arising from the use of such information.

Precaution for Electrostatic

This Product is electrostatic sensitive product, which may be damaged due to electrostatic discharge. Please take proper caution in your manufacturing process and storage so that voltage exceeding the Products maximum rating will not be applied to Products. Please take special care under dry condition (e.g. Grounding of human body / equipment / solder iron, isolation from charged objects, setting of ionizer, friction prevention and temperature / humidity control).

Precaution for Storage / Transportation

1. Product performance and soldered connections may deteriorate if the Products are stored in the places where:
 - [a] the Products are exposed to sea winds or corrosive gases, including Cl₂, H₂S, NH₃, SO₂, and NO₂
 - [b] the temperature or humidity exceeds those recommended by ROHM
 - [c] the Products are exposed to direct sunshine or condensation
 - [d] the Products are exposed to high Electrostatic
2. Even under ROHM recommended storage condition, solderability of products out of recommended storage time period may be degraded. It is strongly recommended to confirm solderability before using Products of which storage time is exceeding the recommended storage time period.
3. Store / transport cartons in the correct direction, which is indicated on a carton with a symbol. Otherwise bent leads may occur due to excessive stress applied when dropping of a carton.
4. Use Products within the specified time after opening a humidity barrier bag. Baking is required before using Products of which storage time is exceeding the recommended storage time period.

Precaution for Product Label

A two-dimensional barcode printed on ROHM Products label is for ROHM's internal use only.

Precaution for Disposition

When disposing Products please dispose them properly using an authorized industry waste company.

Precaution for Foreign Exchange and Foreign Trade act

Since concerned goods might be fallen under listed items of export control prescribed by Foreign exchange and Foreign trade act, please consult with ROHM in case of export.

Precaution Regarding Intellectual Property Rights

1. All information and data including but not limited to application example contained in this document is for reference only. ROHM does not warrant that foregoing information or data will not infringe any intellectual property rights or any other rights of any third party regarding such information or data.
2. ROHM shall not have any obligations where the claims, actions or demands arising from the combination of the Products with other articles such as components, circuits, systems or external equipment (including software).
3. No license, expressly or implied, is granted hereby under any intellectual property rights or other rights of ROHM or any third parties with respect to the Products or the information contained in this document. Provided, however, that ROHM will not assert its intellectual property rights or other rights against you or your customers to the extent necessary to manufacture or sell products containing the Products, subject to the terms and conditions herein.

Other Precaution

1. This document may not be reprinted or reproduced, in whole or in part, without prior written consent of ROHM.
2. The Products may not be disassembled, converted, modified, reproduced or otherwise changed without prior written consent of ROHM.
3. In no event shall you use in any way whatsoever the Products and the related technical information contained in the Products or this document for any military purposes, including but not limited to, the development of mass-destruction weapons.
4. The proper names of companies or products described in this document are trademarks or registered trademarks of ROHM, its affiliated companies or third parties.

General Precaution

1. Before you use our Products, you are requested to carefully read this document and fully understand its contents. ROHM shall not be in any way responsible or liable for failure, malfunction or accident arising from the use of any ROHM's Products against warning, caution or note contained in this document.
2. All information contained in this document is current as of the issuing date and subject to change without any prior notice. Before purchasing or using ROHM's Products, please confirm the latest information with a ROHM sales representative.
3. The information contained in this document is provided on an "as is" basis and ROHM does not warrant that all information contained in this document is accurate and/or error-free. ROHM shall not be in any way responsible or liable for any damages, expenses or losses incurred by you or third parties resulting from inaccuracy or errors of or concerning such information.