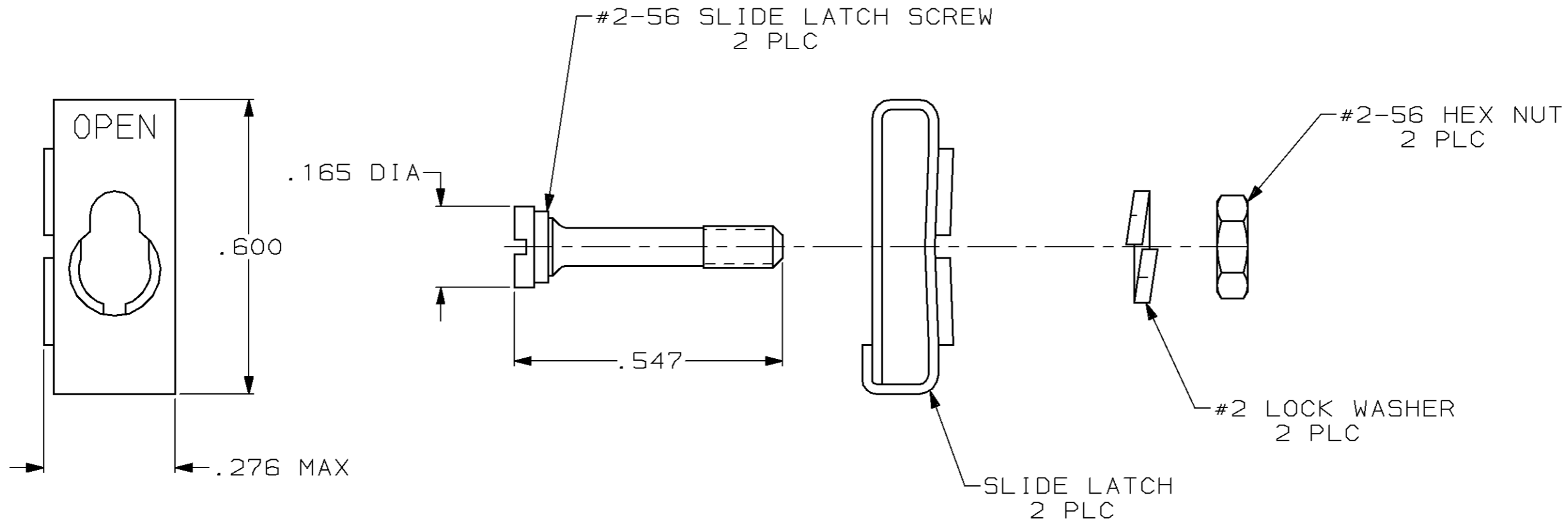


THIS DRAWING IS UNPUBLISHED. RELEASED FOR PUBLICATION, 19
 © COPYRIGHT 19 BY AMP INCORPORATED. ALL INTERNATIONAL RIGHTS RESERVED.

LOC	DIST	P	F	REVISIONS				
BD	48			ZONE	LTR	DESCRIPTION	DATE	APPD
					A	REVISED & REDRAWN PER ECN 2364	08/16/88	JLS
					B	OBS -2 PER EC 0020-1514-93	04/15/94	LF



- 1. PARTS PACKAGED UNASSEMBLED.
- 2. PARTS PACKAGED AS A UNIT KIT.
- 3. PARTS INDIVIDUALLY BULK PACKED & SHIPPED AS A UNIT PACKAGE.
- 4. ZINC PLATED PER ASTM B633, TYPE III, CLASS SCI, CLEAR CHROMATE.
- 5. THIS KIT CAN BE USED WITH TWO-PIECE STRAIGHT/90° EXIT CABLE CLAMPS, RFI/EMI CABLE CLAMPS, AND UNIVERSAL CABLE CLAMPS.

5	OBSOLETE	4	#2-56	3	748078-2
		4	#2-56	2	748078-1

DO NOT SCALE PRINT. UNLESS SPECIFIED DIMENSIONS IN INCHES TOLERANCES ON: 2 PLC DEC ± - 3 PLC DEC ± .005 ANGLES ± -		DR 08-04-88 L.SIPE	AMP AMP INCORPORATED Harrisburg, Pa. 17105
MATERIAL SLIDE LATCH: STAINLESS STEEL HARDWARE: STEEL PER ASTM A108 FINISH		CHK 08-04-88 W.G.LENKER	
HARDWARE: SEE TABLE		APPD 08-16-88 R.WHYNE	NAME KIT, TWO-PIECE SLIDE LATCH, SIZES 1 THRU 4, AMPLIMITE®
		APPD 08-16-88 J.SHOWERS	SIZE B FSCM NO 00779 DRAWING NO 748078
		PRODUCT SPEC -	SCALE 4:1 SHEET 1 OF 1
		APPLICATION SPEC -	
		WEIGHT -	