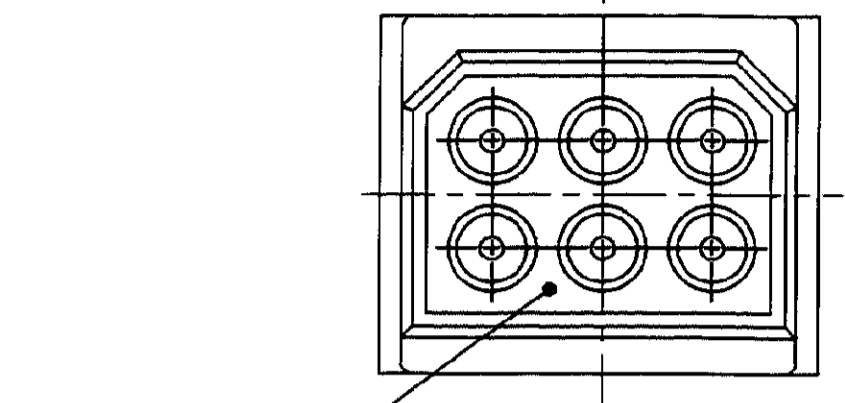
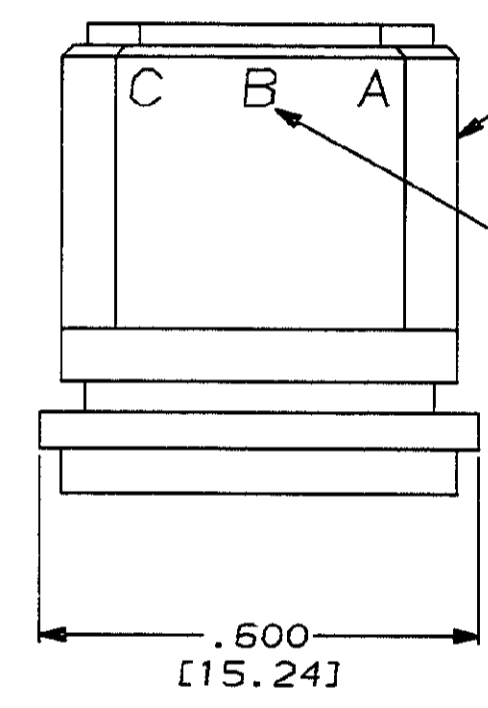
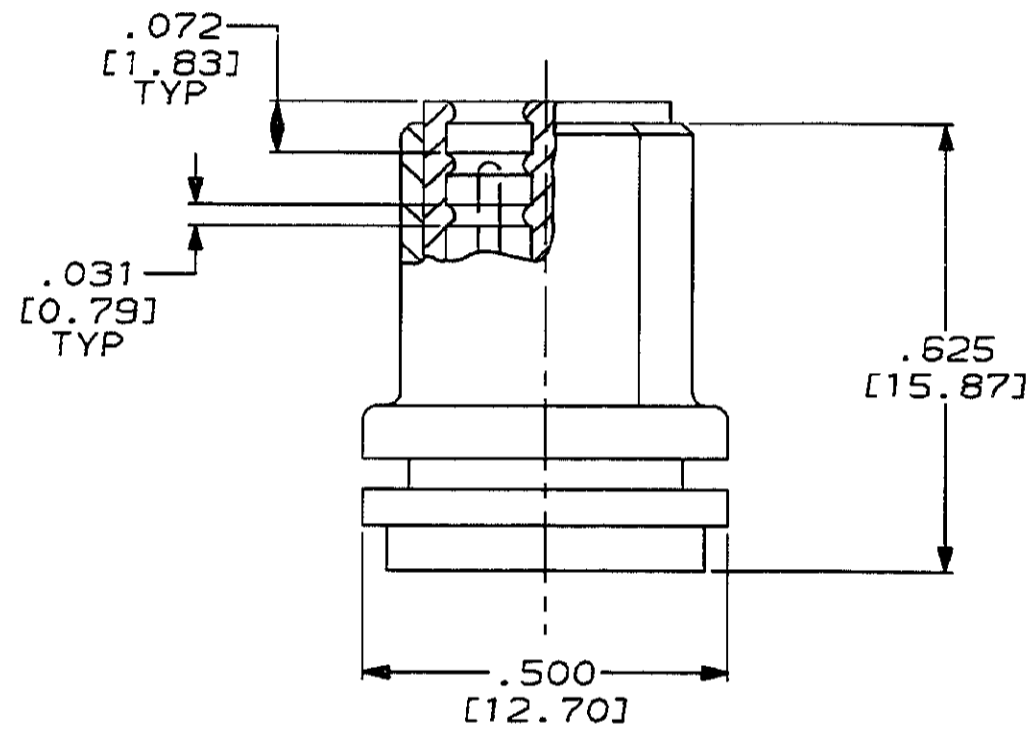
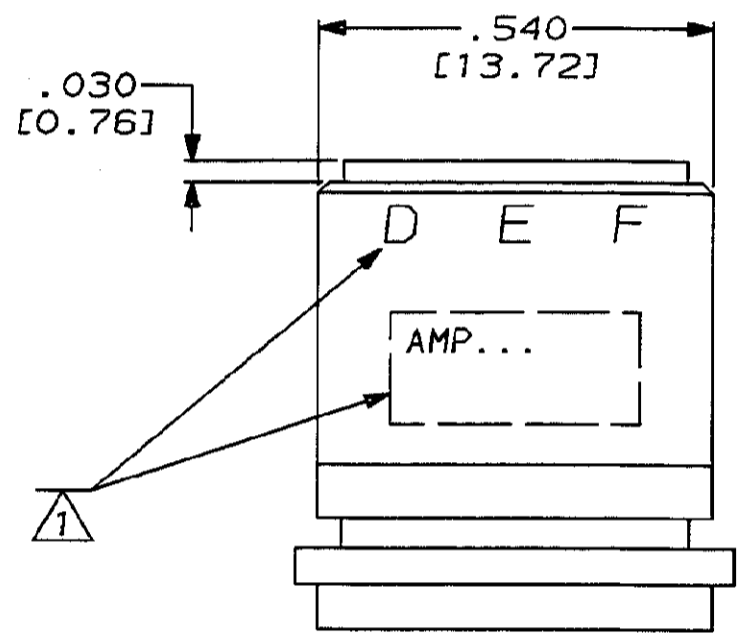


4  
DRAWING MADE IN THIRD ANGLE PROJECTION  
THIS DRAWING IS UNPUBLISHED. RELEASED FOR PUBLICATION  
© COPYRIGHT 19 BY AMP INCORPORATED. ALL INTERNATIONAL RIGHTS RESERVED.

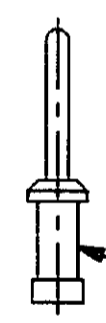
PROJ 4081 CODE	LOC DF	DIST SO	REVISIONS				DATE	APPD
			ZONE	LTR	DESCRIPTION			
				B	REV & REDRAWN; DF-5994	CT	12-92	DE



SILICONE SLUG



HOUSING  
MAT'L: THERMOPLASTIC, GLASS  
FILLED POLYESTER  
COLOR: BLACK



PIN, 6 PLC  
MAT'L: BRONZE PER ASTM-B-140  
FINISH: GOLD PLATED PER MIL-G-45204 TYPE II  
OVER NICKEL PER QQ-N-290

⚠ MARKED PER MIL-STD-130.

445092-1  
PART NO.

DO NOT SCALE PRINT. UNLESS SPECIFIED DIMENSIONS IN INCHES [mm] TOLERANCES ON: 2 PLC DEC ± - 3 PLC DEC ± .005 [0.13] ANGLES ± -	DR 12-5-92 C.C.THOMAS	<b>AMP</b> AMP Incorporated Harrisburg, PA 17105-3608		
	CHK 1-11-93 D.EABY			
MATERIAL  SEE CALLOUTS	APPD 1-11-93 D.EABY	NAME  6 PIN SUBMINIATURE PLUG KIT, LGH		
	RLSE 1-11-93 C.C.THOMAS			
FINISH  SEE CALLOUTS	PRODUCT SPEC -	SIZE C	CAGE CODE 00779	DRAWING NO C-445092
	APPLICATION SPEC -	WEIGHT -	SCALE 4:1	SHEET 1 OF 1

THIS DRAWING IS A CONTROLLED DOCUMENT FOR AMP INCORPORATED. IT IS SUBJECT TO CHANGE AND THE CONTROLLING ENGINEERING ORGANIZATION SHOULD BE CONTACTED FOR THE LATEST REVISION.