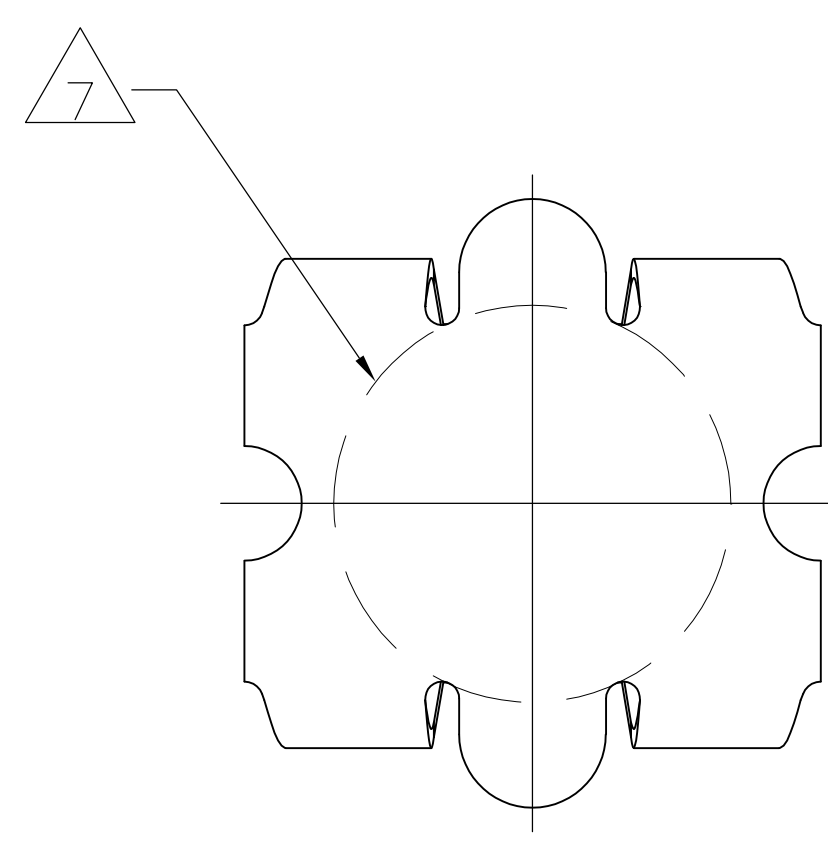
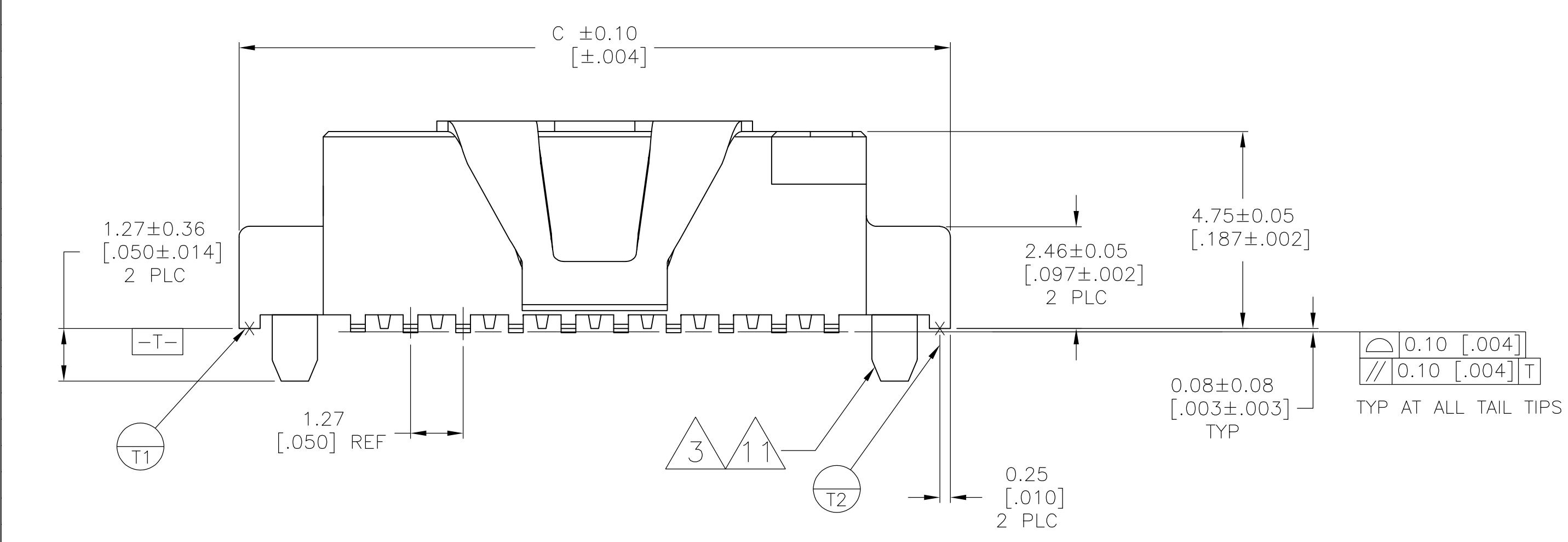
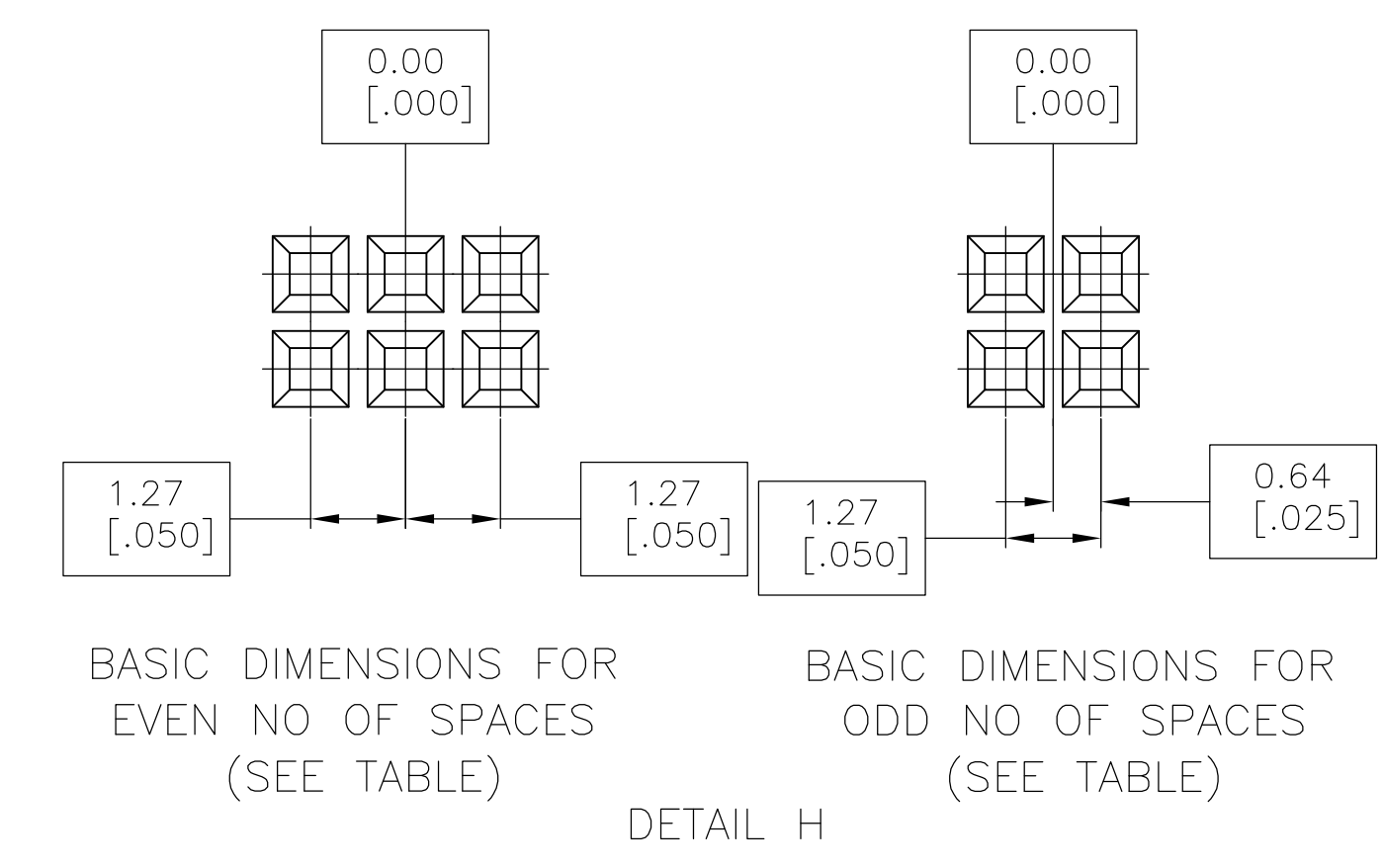
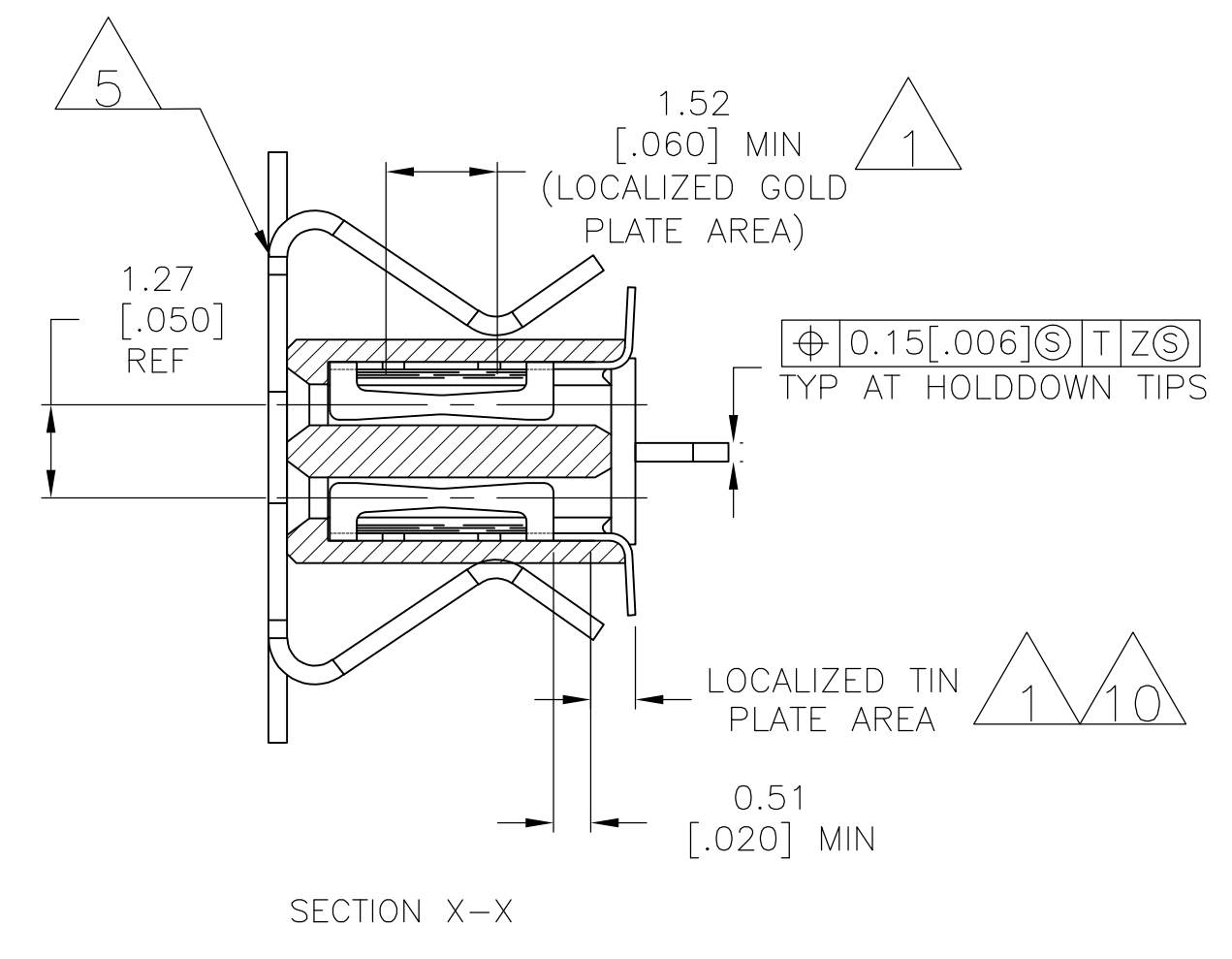
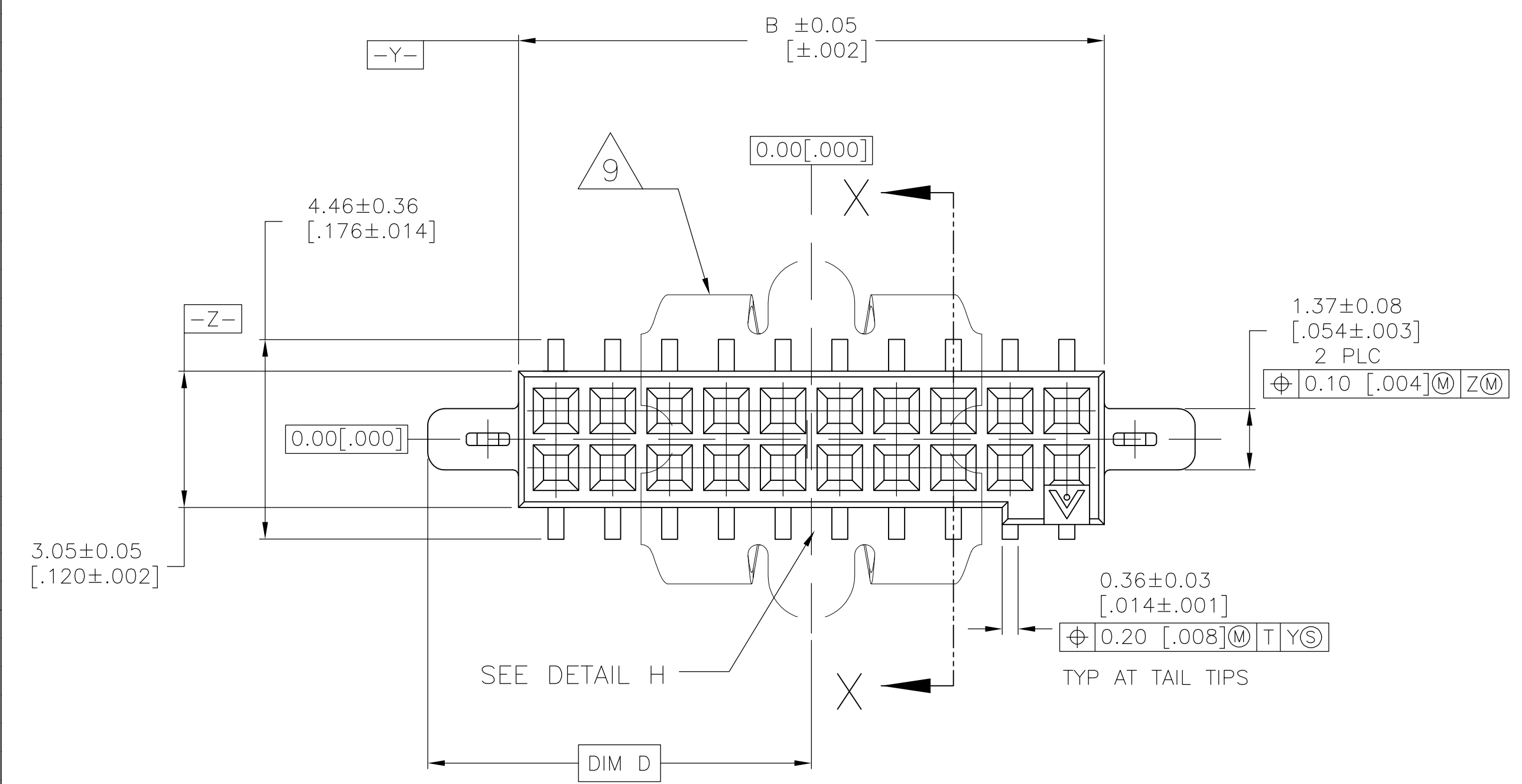
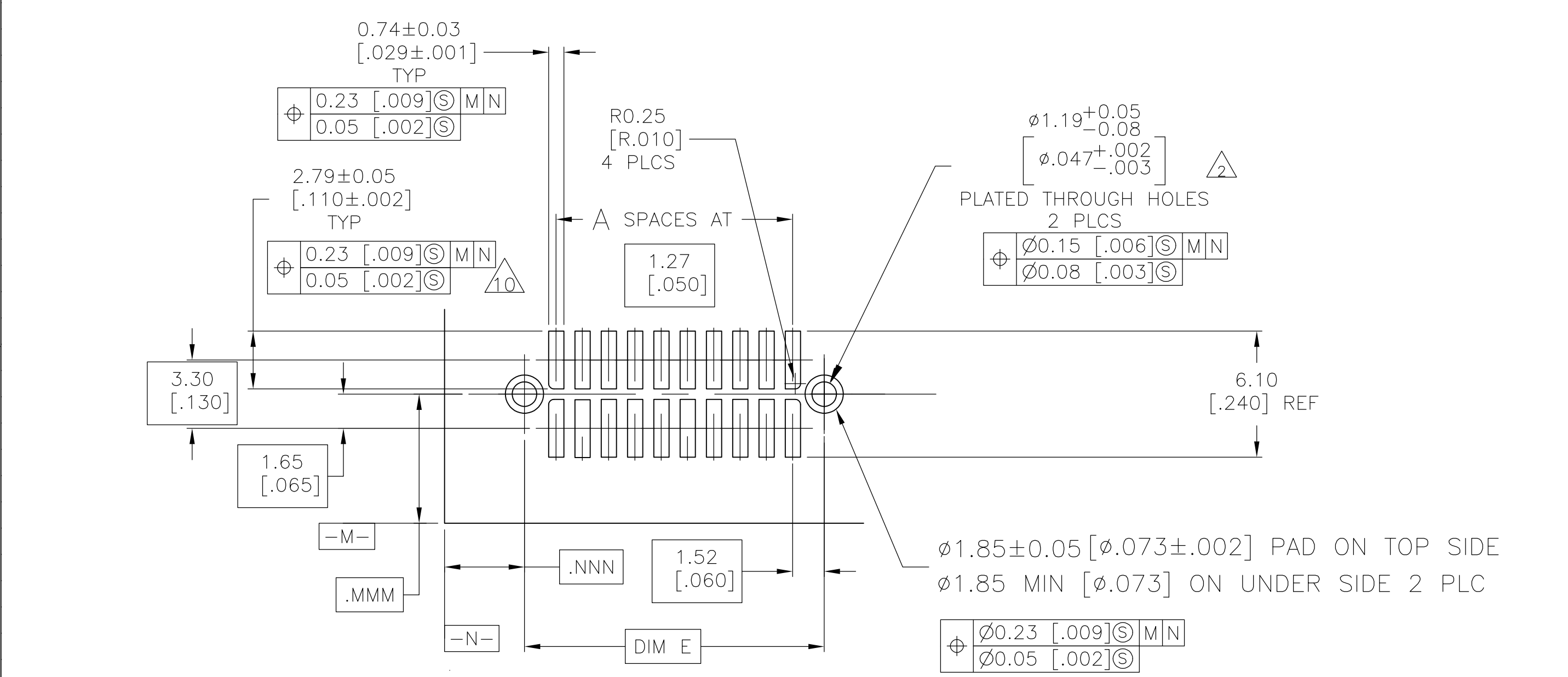


LOC		DIST		REVISIONS			
AD	00	REV	DATE	BY	CHK	APPV	
D	EC	063C	0702 04	01DEC04	BSV	DLS	
D1	REVISED	PER	ECO-10-000030	05JAN10	KK	AEG	



- 1.  $0.00076$  [ $0.000030$ ] GOLD IN LOCALIZED PLATE AREA  
 $0.00381$  [ $0.000150$ ] TIN ON SOLDER TAILS  
ALL OVER  $0.00127$  [ $0.000050$ ] NICKEL
- 2. USE  $1.32 \pm 0.02$  [ $0.0520 \pm 0.0010$ ] DRILLED HOLE ( #55 DRILL ) WITH  $0.00254$  ( $0.001$ ) MIN COPPER
- 3. PLATING:  $0.0038$  [ $0.000150$ ] TIN OVER  $0.00127$  [ $0.000050$ ] NICKEL
- 4. IF PLANNING TO USE MORE THAN ONE MATING PAIR OF CONNECTORS TO INTERCONNECT 2 BOARDS, PLEASE REFER TO PARA. 3.3 IN THE APPLICATION SPEC, #114-7010
- 5. VACUUM COVER DESIGNED FOR  $4.0$  [ $0.160$ ] DIA NOZZLE. VACUUM COVER TO BE REMOVED AFTER SOLDERING.
- 6. PACKAGED IN EIA 481 TAPE AND REEL. SEE TABLE FOR TAPE WIDTHS.
- 7.  $5.2$  [ $0.205$ ] MIN TARGET AREA FOR VACUUM PICK-UP.
- 8. HOUSING: LCP, COLOR-BLACK.  
CONTACT: COPPER ALLOY PER ASTM SPECIFICATION B422.  
LOCATOR: COPPER ALLOY PER ASTM SPECIFICATION B194  
VACUUM COVER: ALUMINUM ALLOY PER ASTM SPECIFICATION 209.
- 9. VACUUM COVER SHOWN IN PHANTOM LINE.
- 10.  $0.00076$  ( $0.000030$ ) GOLD IN LOCALIZED GOLD PLATE AREA,  $0.00381$  ( $0.000150$ ) TIN ON SOLDER TAILS, ALL OVER  $0.00127$  ( $0.000050$ ) NICKEL.
- 11. PLATING  $0.00381$  ( $0.000150$ ) TIN OVER  $0.00127$  ( $0.000050$ ) NICKEL.
- 12. OBSOLETE PARTS: OBSOLETE CIS STREAMLINING PER D.RENAUD/D.SINISI



TAPE WIDTH	E	D	C	B	A	NO OF POS	PART NUMBER
56 mm	39.88	19.94	42.57	38.51	29	60	147427-1
72 mm	46.23	23.11	48.92	44.86	34	70	147427-2
56 mm	39.88	19.94	42.57	38.51	29	60	147427-1

RECOMMENDED BOARD LAYOUT  
SCALE 5:1

THIS DRAWING IS A CONTROLLED DOCUMENT.		DIN B HAYMAKER 06FEB01		Tyco Electronics Corporation Harrisburg, Pa 17105-3608	
DIMENSIONS: mm [INCHES]		TOLERANCES UNLESS OTHERWISE SPECIFIED:		APVD J. MOSIER 11SEP00	
0 PLC	± -	1 PLC	± -	NAME ASSEMBLY, RECEPTACLE, VERTICAL, DOUBLE ROW, SURFACE MOUNT, AMPMODU 50/50 GRID CONNECTOR	
2 PLC	± -	3 PLC	± 0.13 [0.005]	APPLICATION SPEC	
4 PLC	± -	ANGLES	± -	SIZE CAGE CODE DRAWING NO RESTRICTED TO	
MATERIAL	-	FINISH	-	WEIGHT	
CUSTOMER DRAWING			SCALE 10:1		SHEET 1 OF 1 REV D1