



SIGN	DATE	DESCRIPTION	APPROVER
△	11/09'13	change the electrical specification /// update the drawing	Da cheng
△			
△			

THIS IS CAD DRAWING, DO NOT REVISE MANUALLY!!!

Material

- Item a Terminal up body:Thermoplastic (UL94V-0)
- Item b Terminal down body:Thermoplastic (UL94V-0)
- Item c Terminal screw:Steel Cr3+ Zinc plating "-/+ " slot type
- Item d Wire guard:Stainless Steel
- Item e Female contact: PhBz (CuSn) Tin plated
- Item f Lever:Thermoplastic (UL94V-0) Orange(RAL2011/P)

Electrical

- Voltage rating: 300VAC
- Current rating: 8A
- Solid wire: 12-26 AWG
- Stranded wire: 12-26AWG
- Wire strip length: 11-12mm
- Withstanding Voltage: 1.6KV
- Operating temperature: -40°C to +115°C
- Safety Approval: 
- Critical dimension: 

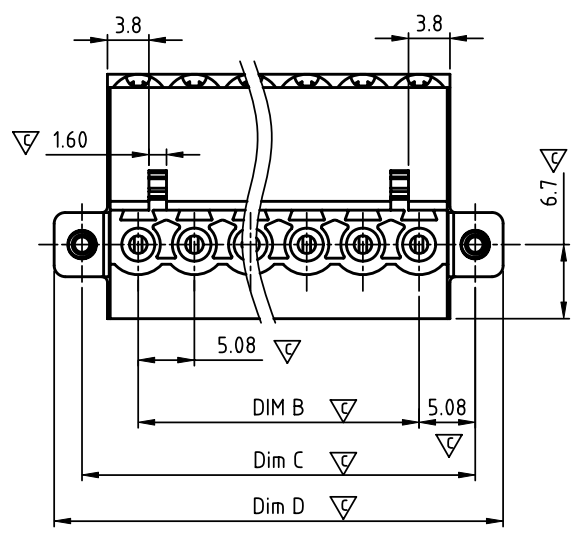
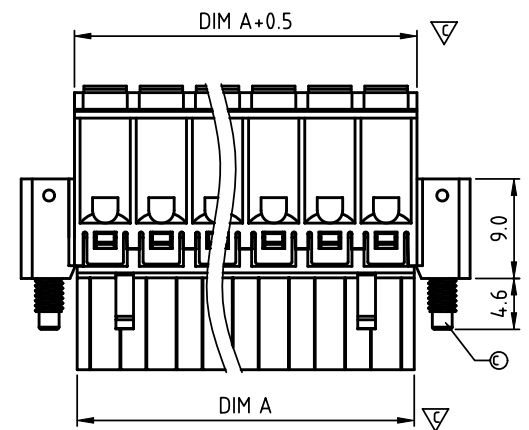
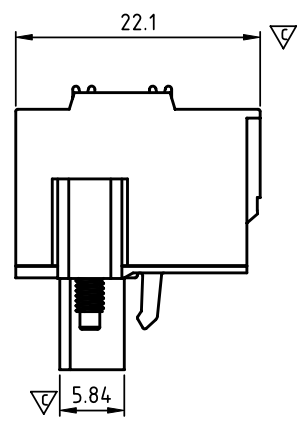
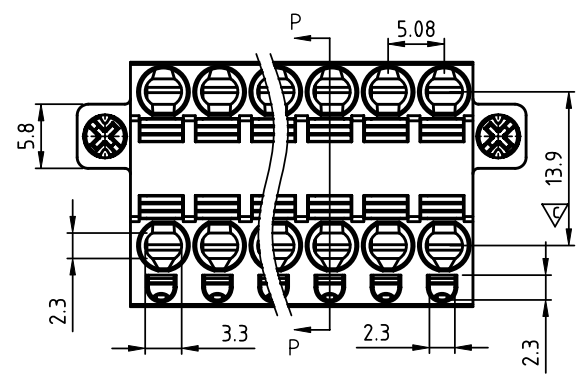
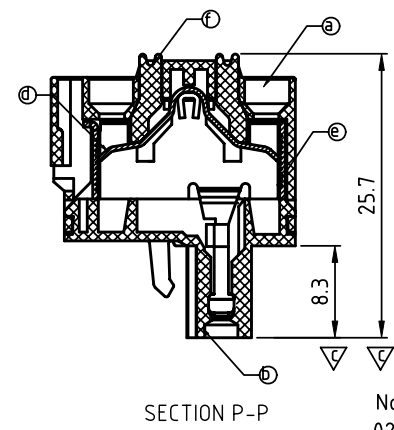
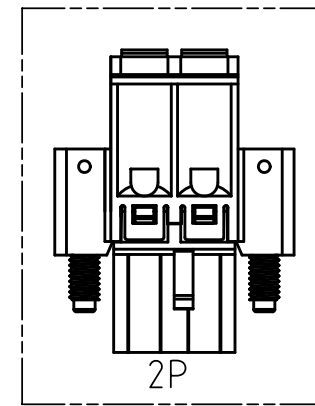
NF xx 50 x 1 xxxx G

- No. OF POLES
- 02 2 POLES
 - 03 3 POLES
 -
 - 24 24 POLES

- △ Body Color
- 0 Black (RAL9005)
 - 2 Red (RAL3001/D)
 - 3 Orange(RAL2011/P)
 - 4 Yellow(RAL1018/A)
 - 5 Green(RAL6018/T)
 - 6 Blue (RAL5015/A)
 - 8 Grey(RAL7035/D)
 - 9 White(RAL1102)
 - C Green(RAL6018/U)

RoHS compliant
(lead<4%)
In copper Alloy

0000: "@ " Logo (Standard)
000A: "ANYTEK" Mark
Any special item by customer request.
please contact sales department.



N = Number of poles
Dim A=Nx5.08
Dim B=(N-1)x5.08
Dim C=(N+1)x5.08
Dim D=(N-1)x5.08+15.2

Poles	Dim A&B	Dim C&D
2P-4P	±0.15	±0.20
5P-8P	±0.20	±0.25
9P-12P	±0.25	±0.30
13P-15P	±0.30	±0.35
16P-18P	±0.35	±0.40
19P-24P	±0.40	±0.45

ANYTEK				CUSTOMER COPY			
ALL RIGHTS RESERVED. REPRODUCTION OR ISSUE TO THRD PARTIES IN ANY FORM WHATEVER IS NOT PERMITTED WITHOUT WRITTEN AUTHORITY FROM THE PROPRIETOR. PROPERTY OF ANYTEK TECHNOLOGY CO., LTD							
TITLE		NF 5.08 Series With Flange type					
PART NO.		NFxx50x1xxxxG		DWG NO.		8NF0002	
APPROVED		CHECKED		DESIGNED		DRAWN	
		Da cheng 2013.11.16		Da cheng 2013.11.16			
				CUST NO.		Tolerance	
				UNIT: mm		X ±0.50	
				SCALE: NONE		X.X ±0.30	
				SHEET: 01/01		X.XX ±0.10	
				REV.: C		X° ±1°	