

SFP-10G-C

10/100/1000/10,000Base-T Copper Ethernet SFP+,
0°C~70°C



Features

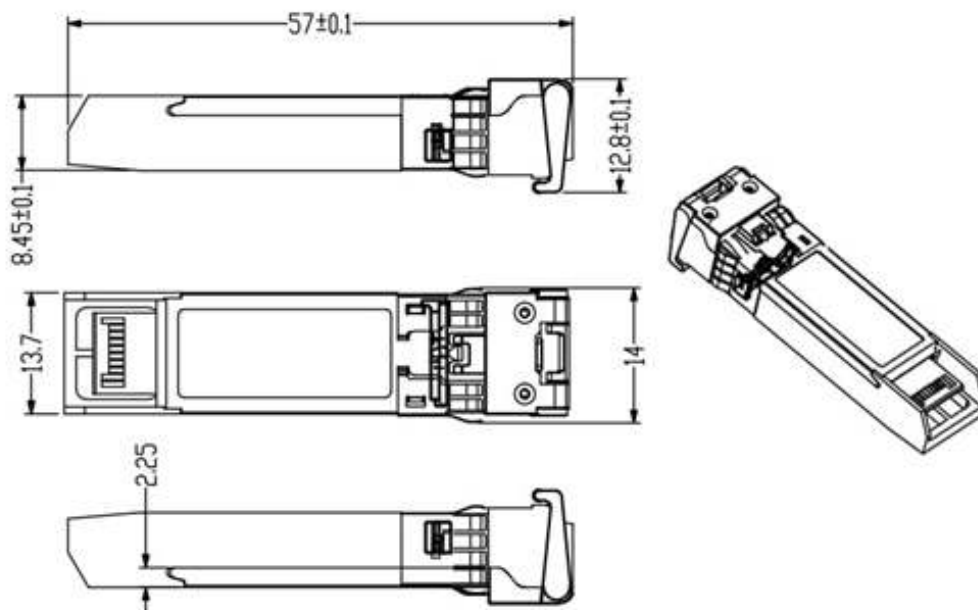
- ▶ Supports 10GBase-T using 30m Cat 6a/7 Cable
- ▶ Supports 5000Base-T using 70m Cat 5e Cable or Better
- ▶ Supports 2500Base-T using 100m Cat 5e Cable or Better
- ▶ Supports 10/100/1000Base-T using 100m Cat 5e Cable or Better
- ▶ Low Power Consumption (2.3W TYP @10Gbps 30m)
- ▶ Auto-negotiates with Other 10GBase-T PHY
- ▶ Auto-sense MDI/MDIX
- ▶ Compliant with IEEE 802.3az
- ▶ Compliant with SFF-8431 and SFF-8432 MSA
- ▶ Compliant with RoHS, CE, FCC Standards
- ▶ Operating Temperature Range: 0°C to 70°C

INTRODUCTION

Antaira Technologies' SFP-10G-C is a small hot-pluggable RJ45 electrical port module, compliant with 10 Gigabit Ethernet standards and SFP Multi-Source Agreement (MSA) standards. The module supports 10G transmission rate and transfer distances up to 30 meters using Cat 6a/7 network cables. It is also backward compatible with 10/100/1000/2.5G/5GBase-T applications. The device has low power consumption (2.3W TYP @ 10Gbps 30m), is compatible with various brands of hosts, and is widely used in data centers and enterprise networks. It complies with certification requirements such as RoHS, CE and FCC.

The product is based on a standard RJ45 interface, compatible with traditional networks. The Ethernet transfer rates can be increased without changing existing wiring. It is a low-cost alternative to Ethernet upgrades.

DIMENSIONS



SPECIFICATIONS

Interface

Connection Standard RJ45 Ethernet Connector

Recommended Operating Conditions

Operating Temperature 0°~70°C

Storage Temperature -40°~85°C

Transmission Distance Supports 10GBase-T using 30m Cat 6a/7 Cable

Regulatory Approvals

Green RoHS Compliant

Certifications FCC, CE

Warranty 5 Years

ORDERING INFO

SFP-10G-C 10/100/1000/10,000Base-T Cooper Ethernet SFP+, 0°C~70°C