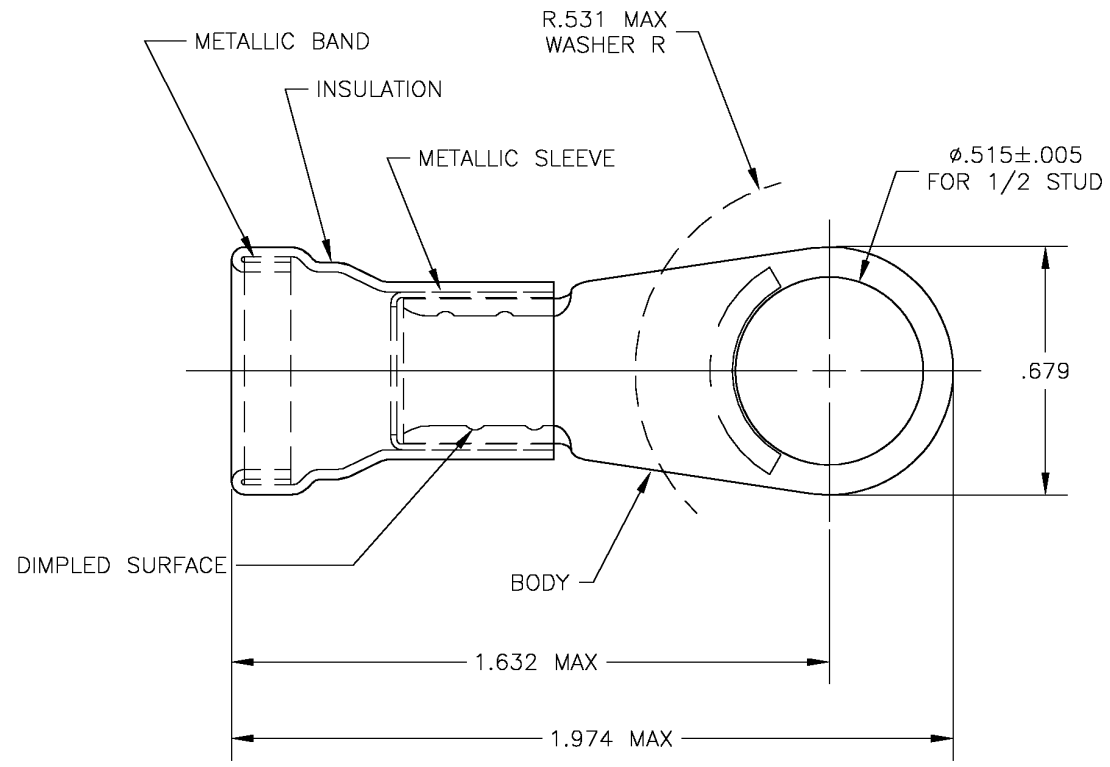


THIS DRAWING IS UNPUBLISHED. RELEASED FOR PUBLICATION  
 © COPYRIGHT BY TYCO ELECTRONICS CORPORATION. ALL RIGHTS RESERVED.

LOC	DIST	REVISIONS			
P	LTR	DESCRIPTION	DATE	DWN	APVD
G	14	C	REDRAWN PER 0G3A-0589-03	030CT03	JR MS



- 1 TONGUE MATERIAL THK IS .048±.003
- 2 FOR .436 MAX WIRE INSULATION DIA.
- 3 WIRE SIZE: 4

1	BODY: COPPER PER ASTM B152 TIN PLATE PER ASTM B545 INSULATION: PVC, COLOR YELLOW METALLIC SLEEVE: COPPER ASTM B152 METALLIC BAND: STEEL MIL-S-4174	328221-0
QTY	MATERIAL & FINISH	PART NO.

DIMENSIONS:		TOLERANCES UNLESS OTHERWISE SPECIFIED:		APPROVED		NAME		RESTRICTED TO	
INCHES				APVD		PRODUCT SPEC		APPLICATION SPEC	
0 PLC		± -		jr ruth		020CT03		Tyco Electronics Corporation	
1 PLC		± -		CHK MJ SPICER		030CT03		Harrisburg, PA 17105	
2 PLC		± -		APVD MJ SPICER		030CT03		WIRE TERMINAL	
3 PLC		± .008		PRODUCT SPEC		-		AMPLI-BOND, RING TONGUE	
4 PLC		± -		APPLICATION SPEC		-		WIRE SIZE: 4	
ANGLES		± 5'		WEIGHT		-		SIZE CAGE CODE DRAWING NO	
MATERIAL		FINISH		CUSTOMER DRAWING		A3 00779 C=328221		SCALE SHEET 1 OF 1 REV C	
SEE TABLE		SEE TABLE							