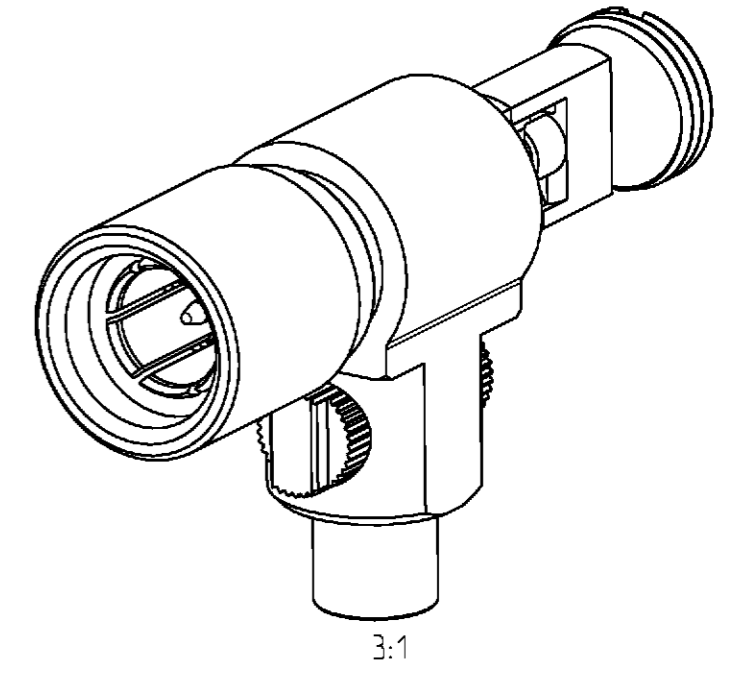
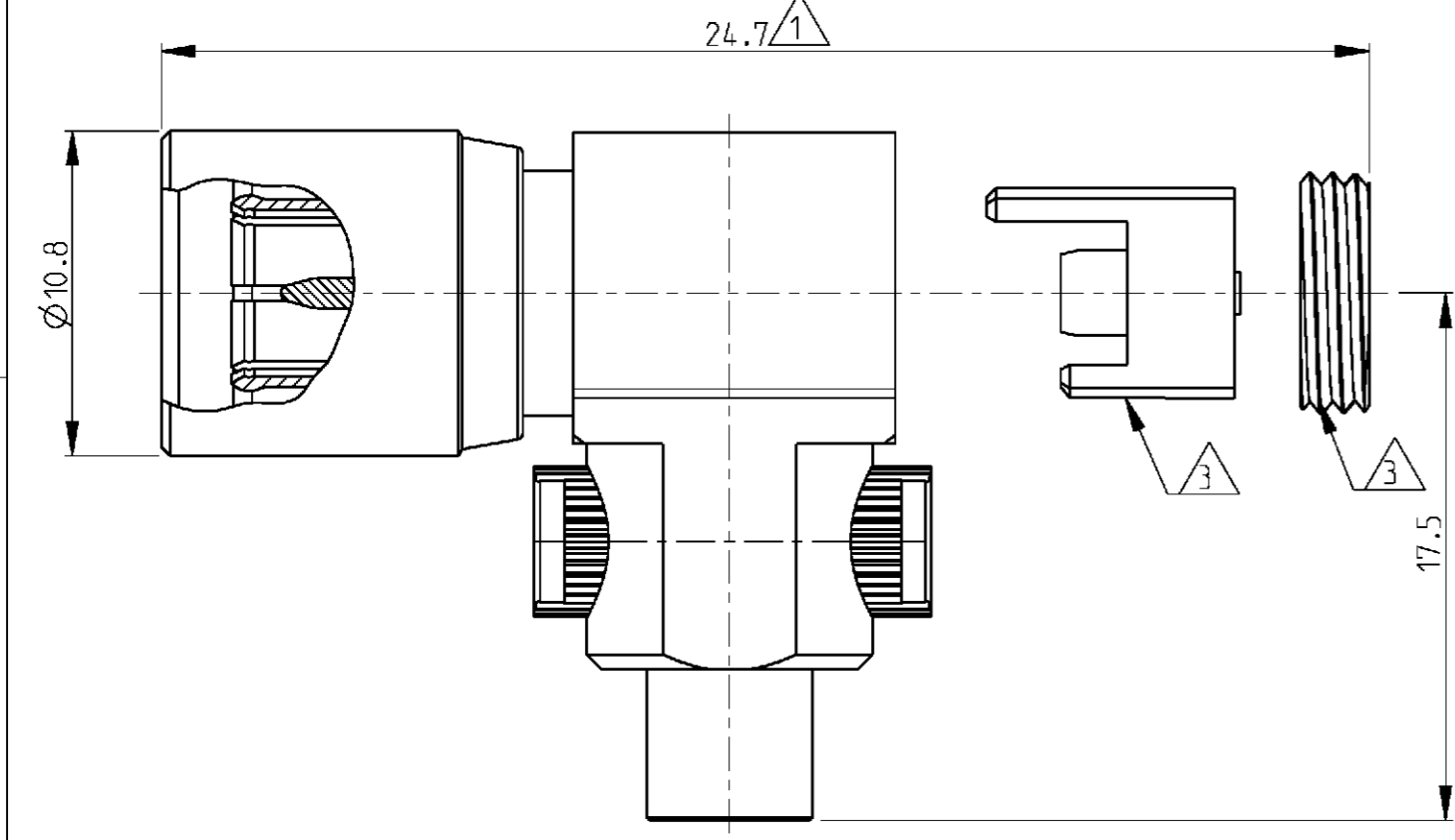


THIS DRAWING IS UNPUBLISHED. RELEASED FOR PUBLICATION 2000  
 © COPYRIGHT 2000 BY TYCO ELECTRONICS CORPORATION. ALL RIGHTS RESERVED.

LOC	DIST	REVISIONS			
P	LTR	DESCRIPTION	DATE	DWN	APVD
GW	-	A	-	05APR2001	BL KM
		A1	REV PER ECO-09-026495	11DEC09	KK AEG



Cross reference table					
Old part number	Tyco part number	Description	Material	Plating	Cable type
<del>6</del> OBSOLETE V23612-A211-A76A	<del>4</del> 1393757-0	Outer conductor	CuBe	1 µm Au min in contact area	02Y (St) CY 0.45/2.0
5	5	Center conductor	CuSn6/CuBe	1 µm Au min in contact area	
		Dielectric	PEEK/PC	-	
V23612-A211-A76	1393757-9	Outer conductor	CuBe	1 µm Au min in contact area	02Y (St) CY 0.45/2.0
		Center conductor	CuSn6/CuBe	1 µm Au min in contact area	
		Dielectric	PEEK/PC	-	
<del>6</del> OBSOLETE V23612-A211-A42	<del>4</del> 1393757-8	Outer conductor	CuBe	1 µm Au min in contact area	2YCY 0.4/2.5
		Center conductor	CuSn6/CuBe	1 µm Au min in contact area	
		Dielectric	PEEK/PC	-	

- 6 OBSOLETE PARTS: OBSOLETE CIS STREAMLINING PER D.RENAUD/D.SINISI
- 5 Packed in tray
- 4) Mating face according to DIN 47295 / CECC 22240.
- 3 Supplied as loose part
- 2) All dimensions are maximum
- 1 Dimension when fully constrained.

<small>THIS DRAWING IS A CONTROLLED DOCUMENT FOR TYCO ELECTRONICS CORPORATION. IT IS SUBJECT TO CHANGE AND THE CONTROLLING ENGINEERING ORGANIZATION SHOULD BE CONTACTED FOR THE LATEST REVISION.</small>		DWN 27MAR2001 B. Lenvain		Tyco Electronics Oostkamp - Belgium	
DIMENSIONS: mm 		TOLERANCES UNLESS OTHERWISE SPECIFIED: 0 PLC ± 1 PLC ± 2 PLC ± 3 PLC ± 4 PLC ± ANGLES ±		CHK 05APR2001 K. Mattheeuws APVD 05APR2001 R. Leeman PRODUCT SPEC APPLICATION SPEC 114-71027 WEIGHT -	
MATERIAL - FINISH -		NAME Right angled cable plug with IDC CONNECTION 1.6/5.6 75 Ohm		SIZE A3 CAGE CODE 00779 DRAWING NO. 1393757-8 RESTRICTED TO -	
CUSTOMER DRAWING		SCALE 4/1		SHEET 1 OF 1 REV A1	

