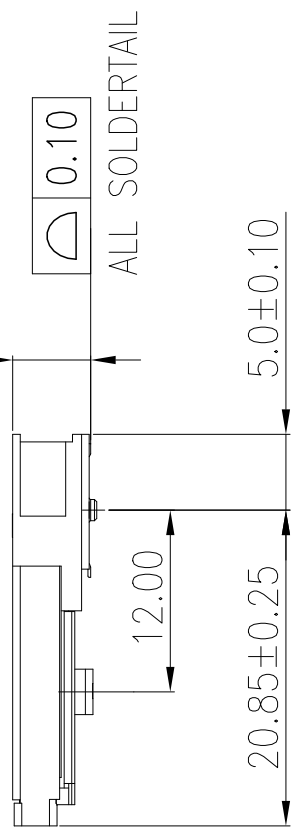
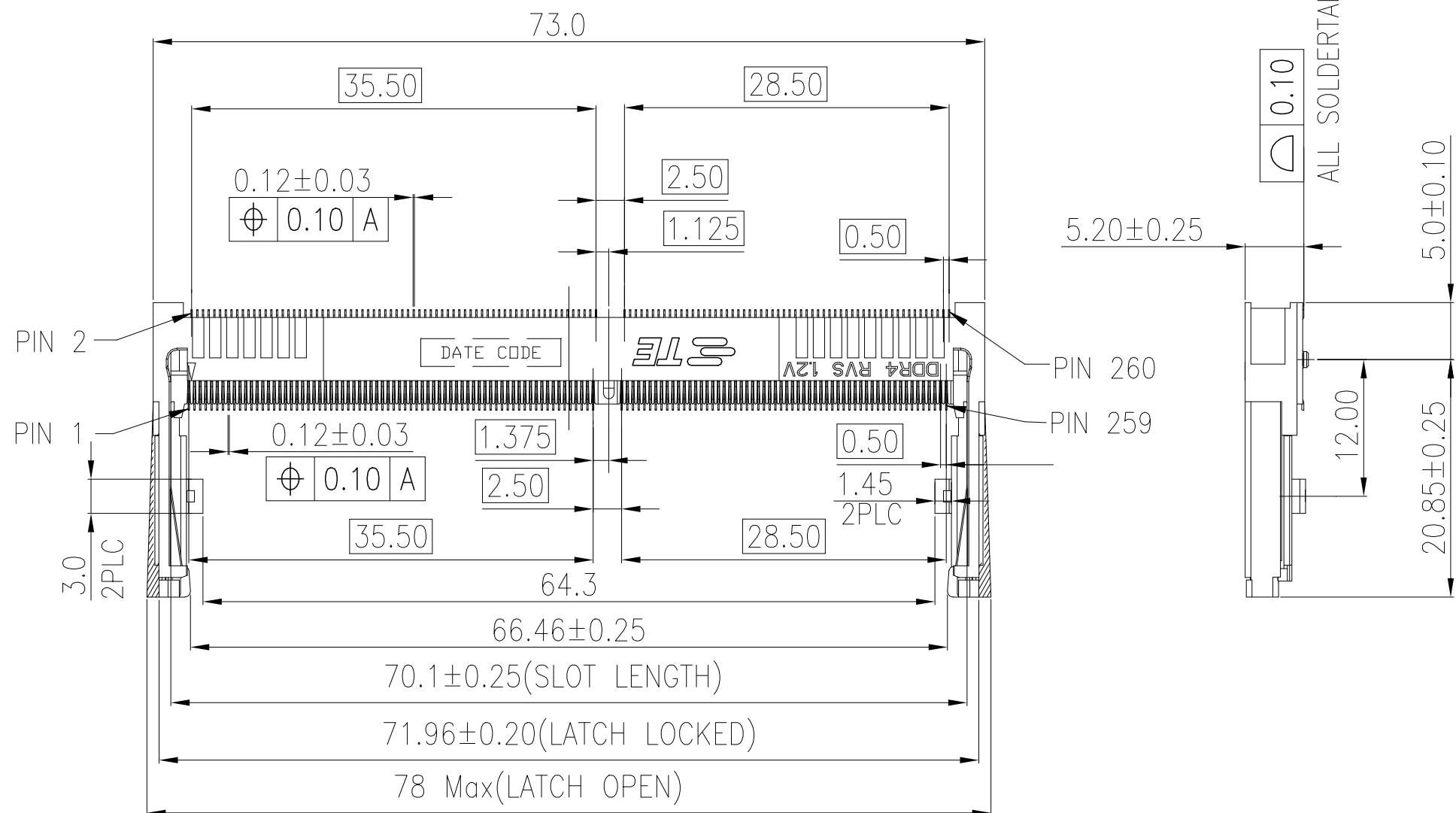
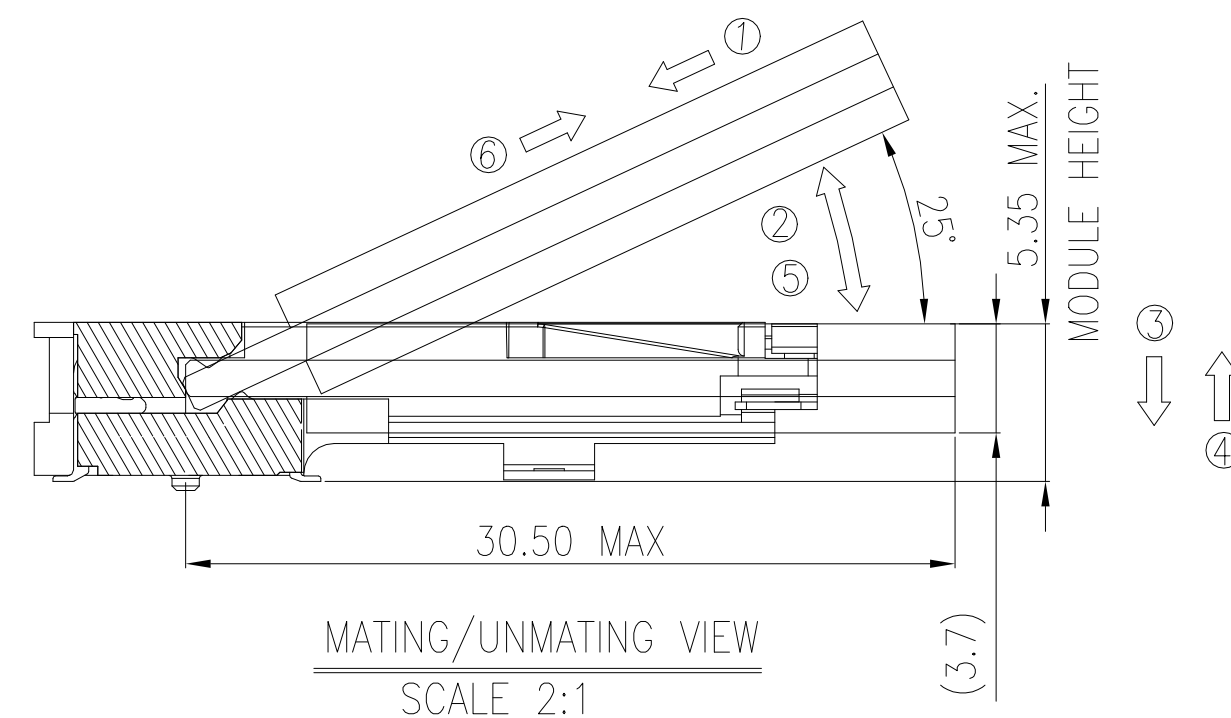


REVISIONS					
P	LTR	DESCRIPTION	DATE	DWN	APVD
6		CHANGE DIM 0.80 TO 0.74 +/-0.08	16NOV2020	SS	DZ

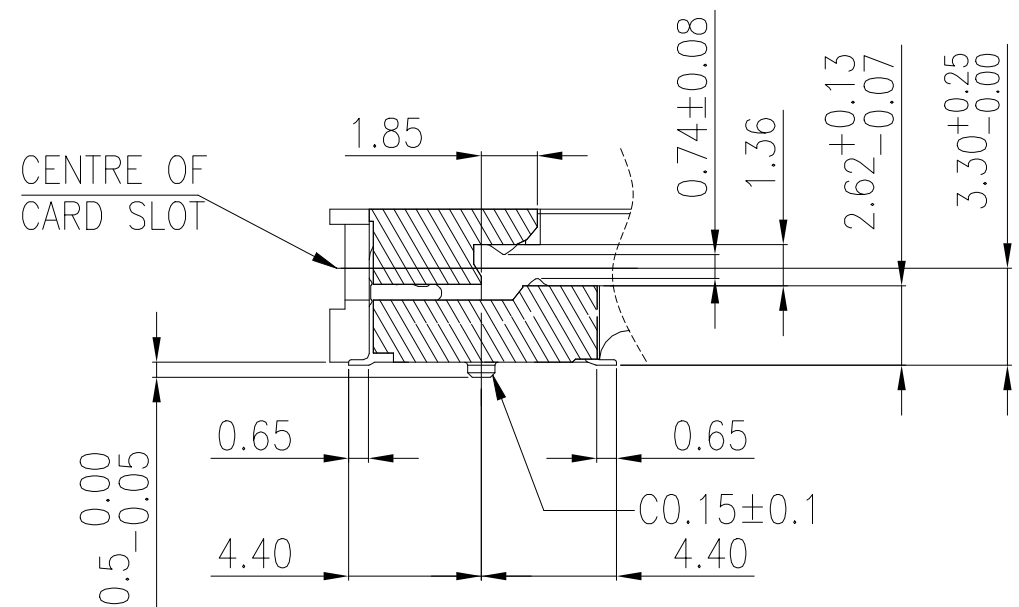
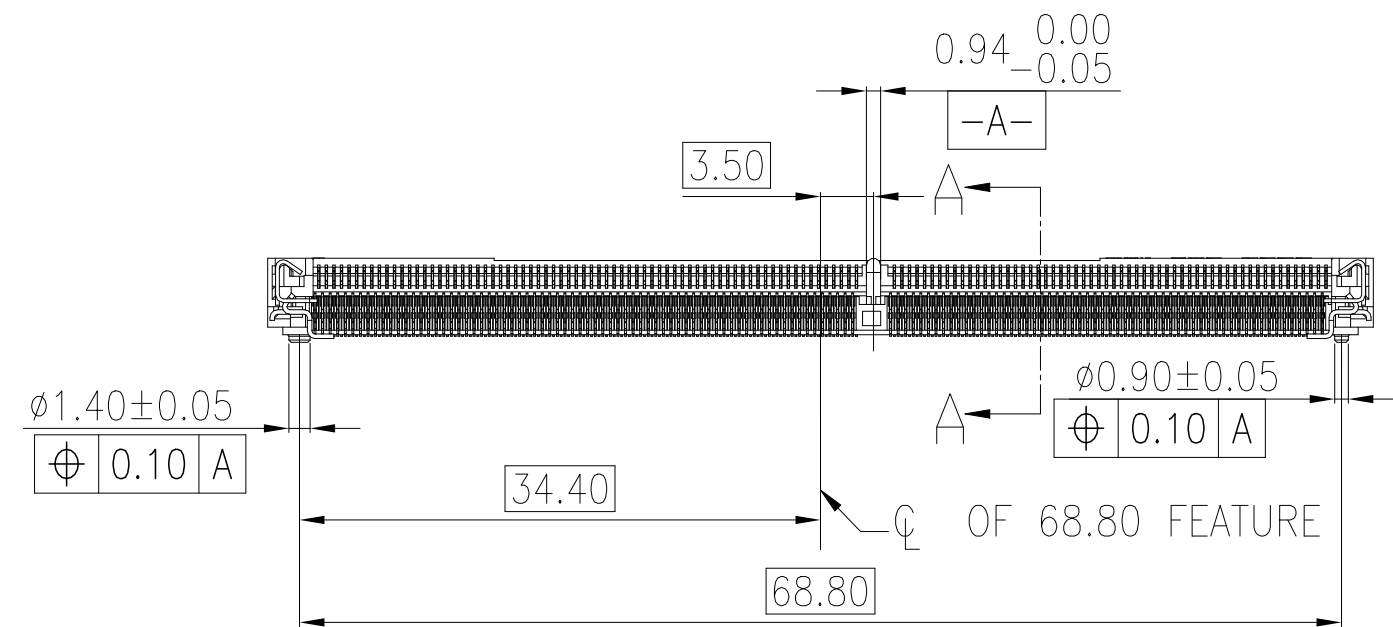


NOTES:

- MATERIAL:
 - HOUSING: HIGH TEMPERATURE THERMO PLASTIC, UL94V-0, COLOR: BLACK.
 - CONTACT: COPPER ALLOY.
 - SOLDER PEG AND LATCH: STAINLESS STEEL.
- FINISH:
 - SOLDER PEG: GOLD FLASH ON 50u" MIN NICKEL UNDERPLATED ALL OVER.
 - CONTACT SOLDER AREA: GOLD FLASH ON SOLDER TAIL.
 - CONTACT AREA: GOLD FLASH ON 50u" MIN NICKEL UNDERPLATED ALL OVER.
 - CONTACT AREA: 5u" ON 50u" MIN NICKEL UNDERPLATED ALL OVER.
 - CONTACT AREA: 10u" ON 50u" MIN NICKEL UNDERPLATED ALL OVER.
 - CONTACT AREA: 15u" ON 50u" MIN NICKEL UNDERPLATED ALL OVER.
 - CONTACT AREA: 30u" ON 50u" MIN NICKEL UNDERPLATED ALL OVER.
- COPLANARITY: 0.10 MAX. (BEFORE SOLDERING)



MATING: ① INSERTING(25°) → ② ROTATING → ③ FIXED
 UNMATING: ④ UNFIXED → ⑤ ROTATING → ⑥ WITHDRAWING



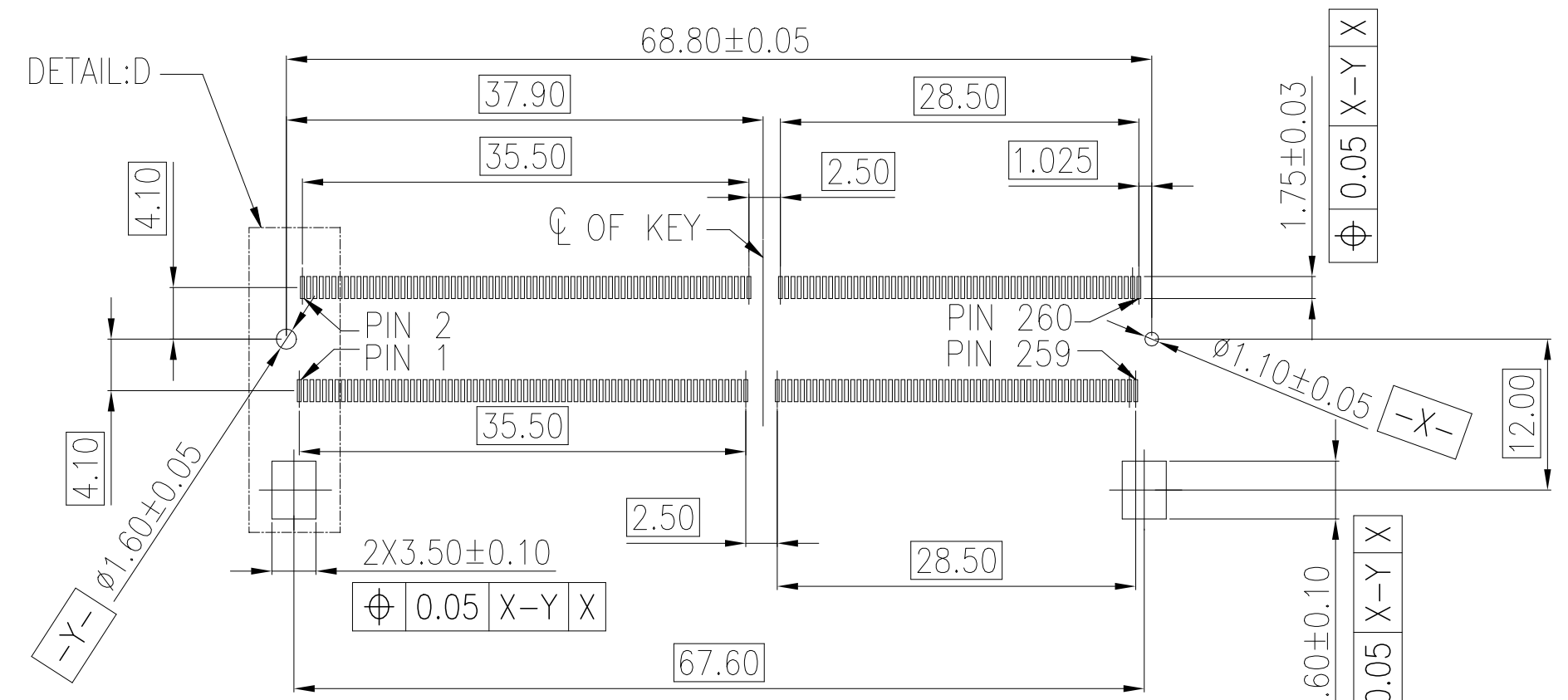
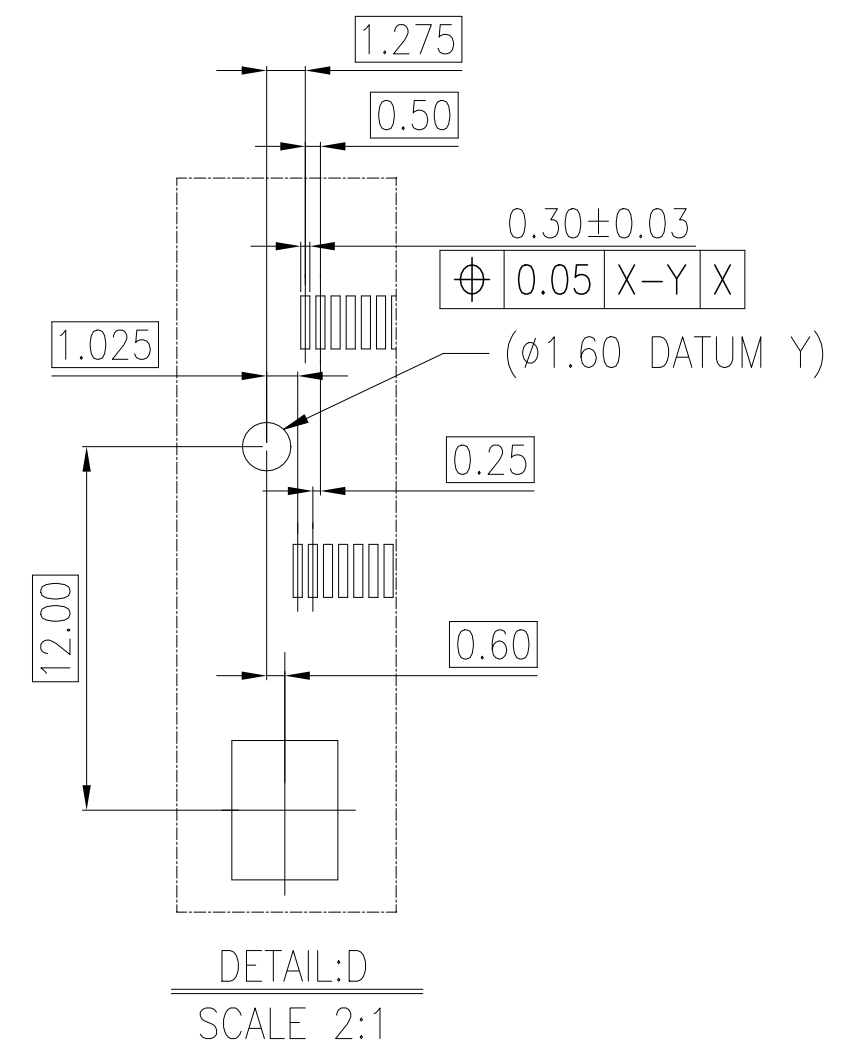
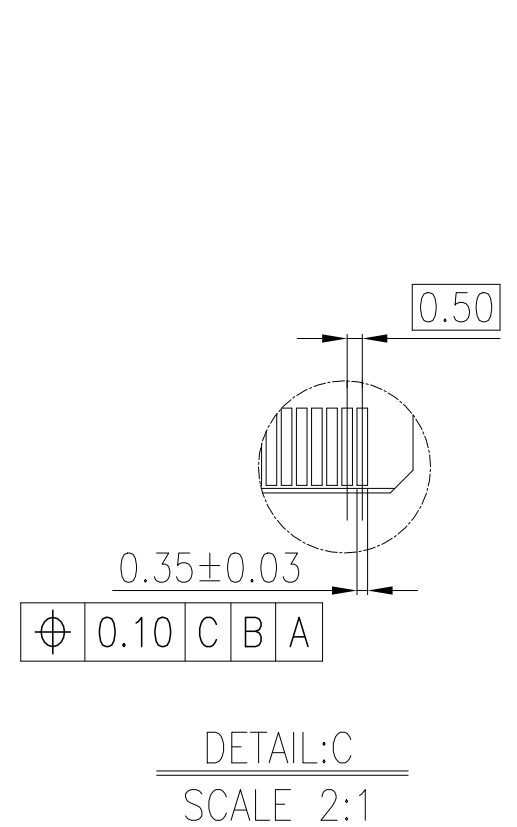
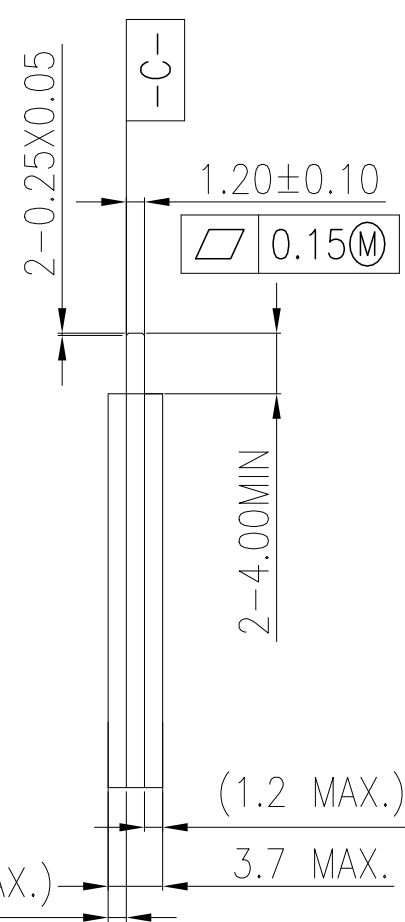
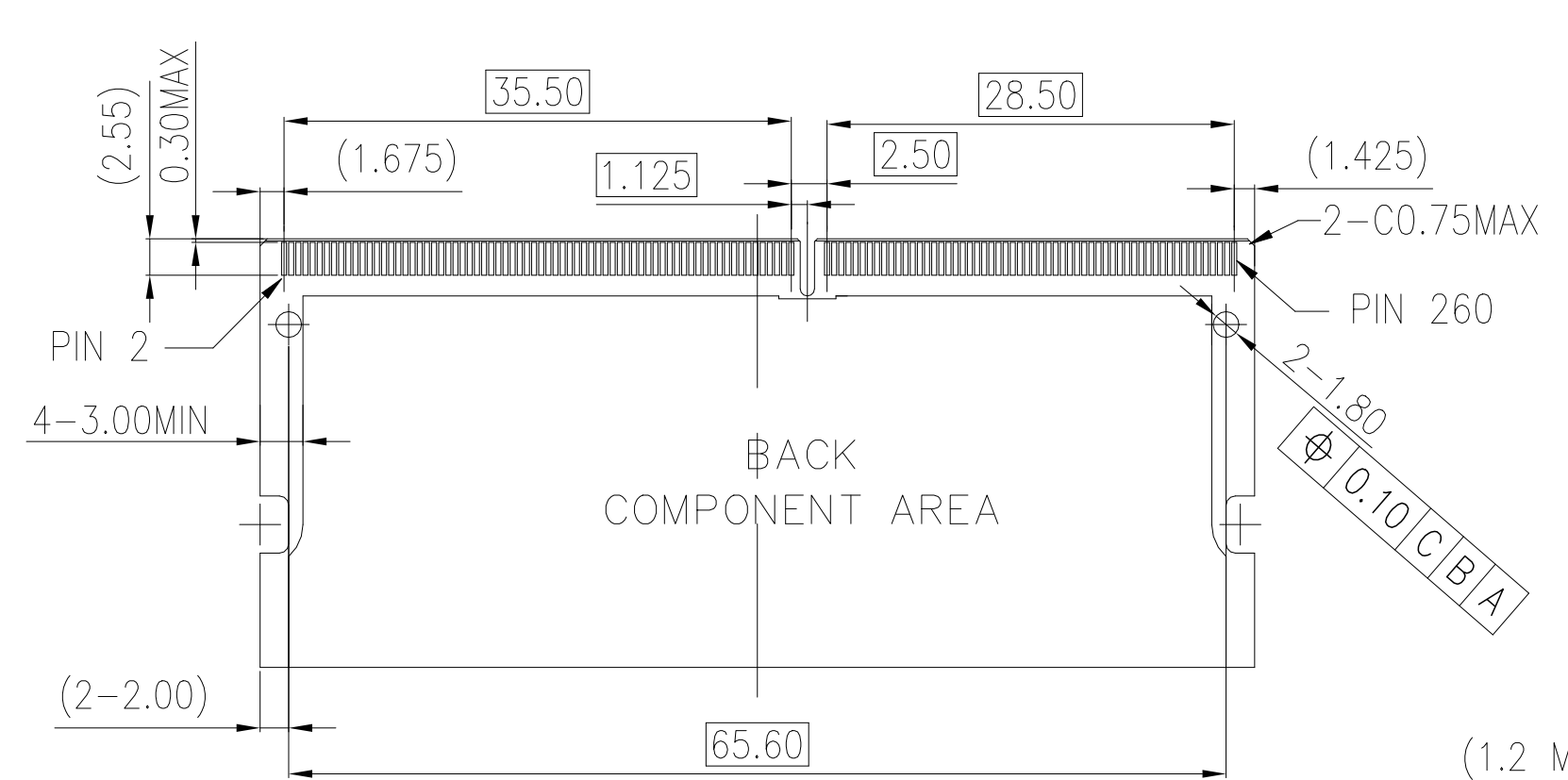
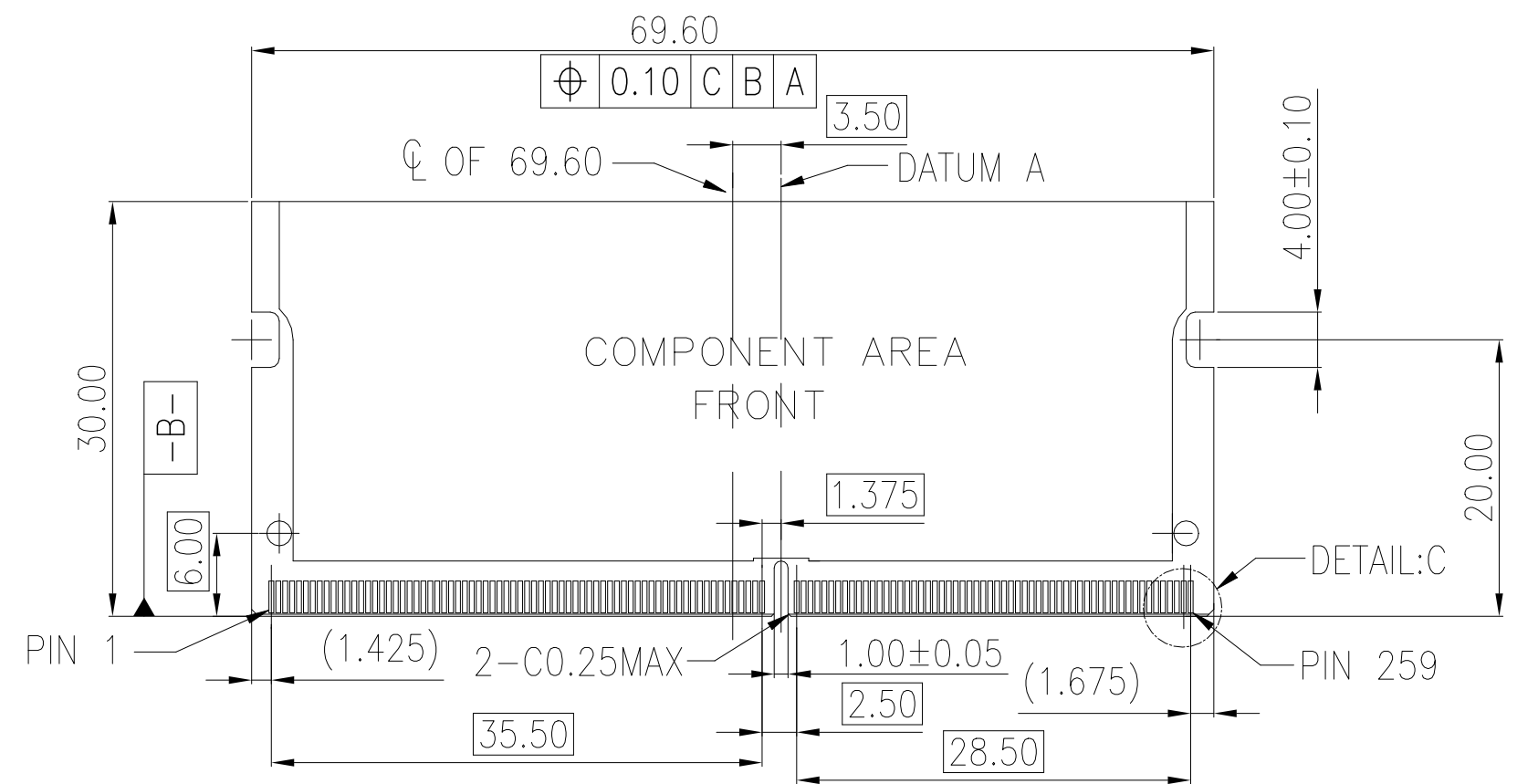
SECTION: A-A
 SCALE 2:1

TAPE&REEL	BLACK	1.2V	30u"	260	2309410-5
TAPE&REEL	BLACK	1.2V	15u"	260	2309410-4
TAPE&REEL	BLACK	1.2V	10u"	260	2309410-3
TAPE&REEL	BLACK	1.2V	5u"	260	2309410-2
TAPE&REEL	BLACK	1.2V	GF	260	2309410-1
PACKING TYPE	HOUSING COLOR	POWER SUPPLY	FINISH	POS	PART NO.

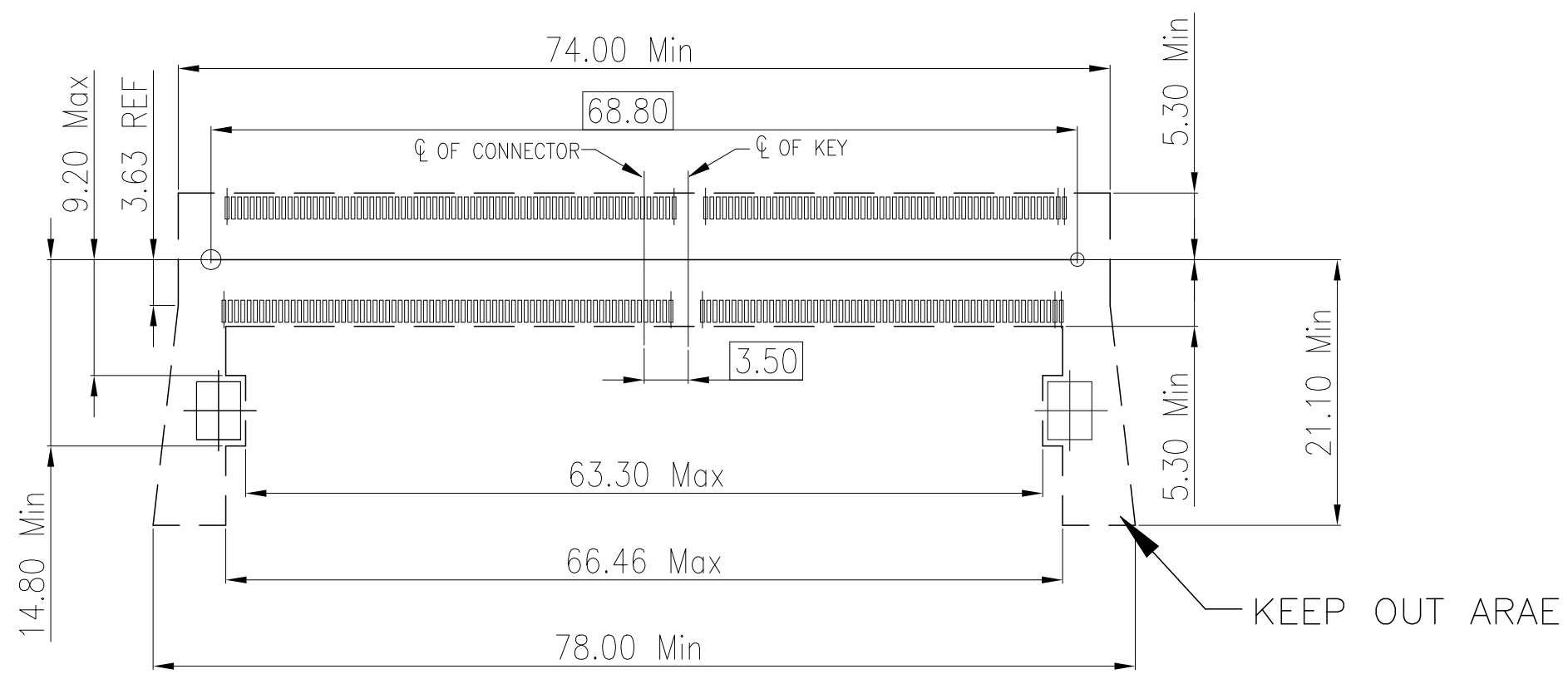
THIS DRAWING IS A CONTROLLED DOCUMENT.		DWN	DAVID ZHAO	09SEP2016		TE Connectivity		
DIMENSIONS: mm		CHK	RICHARD MA	09SEP2016		NAME		
TOLERANCES UNLESS OTHERWISE SPECIFIED:		APVD	SIMON LI	09SEP2016		DDR4 SODIMM SOCKET		
0 PLC ± -		PRODUCT SPEC		108-115122			RESTRICTED TO	
1 PLC ± 0.25		APPLICATION SPEC		SIZE			CAGE CODE	
2 PLC ± 0.15		MATERIAL		DRAWING NO			SHEET	
3 PLC ± 0.10		FINISH		A2 00779			1 of 3	
4 PLC ± -		WEIGHT		C=2309410			REV	
ANGLES ± -		CUSTOMER DRAWING		SCALE 1:1			6	
FINISH				SHEET				

THIS DRAWING IS UNPUBLISHED. RELEASED FOR PUBLICATION
 © COPYRIGHT - By - ALL RIGHTS RESERVED.

REVISIONS				
P	LTR	DESCRIPTION	DATE	OWN APVD
-	-	-	-	-



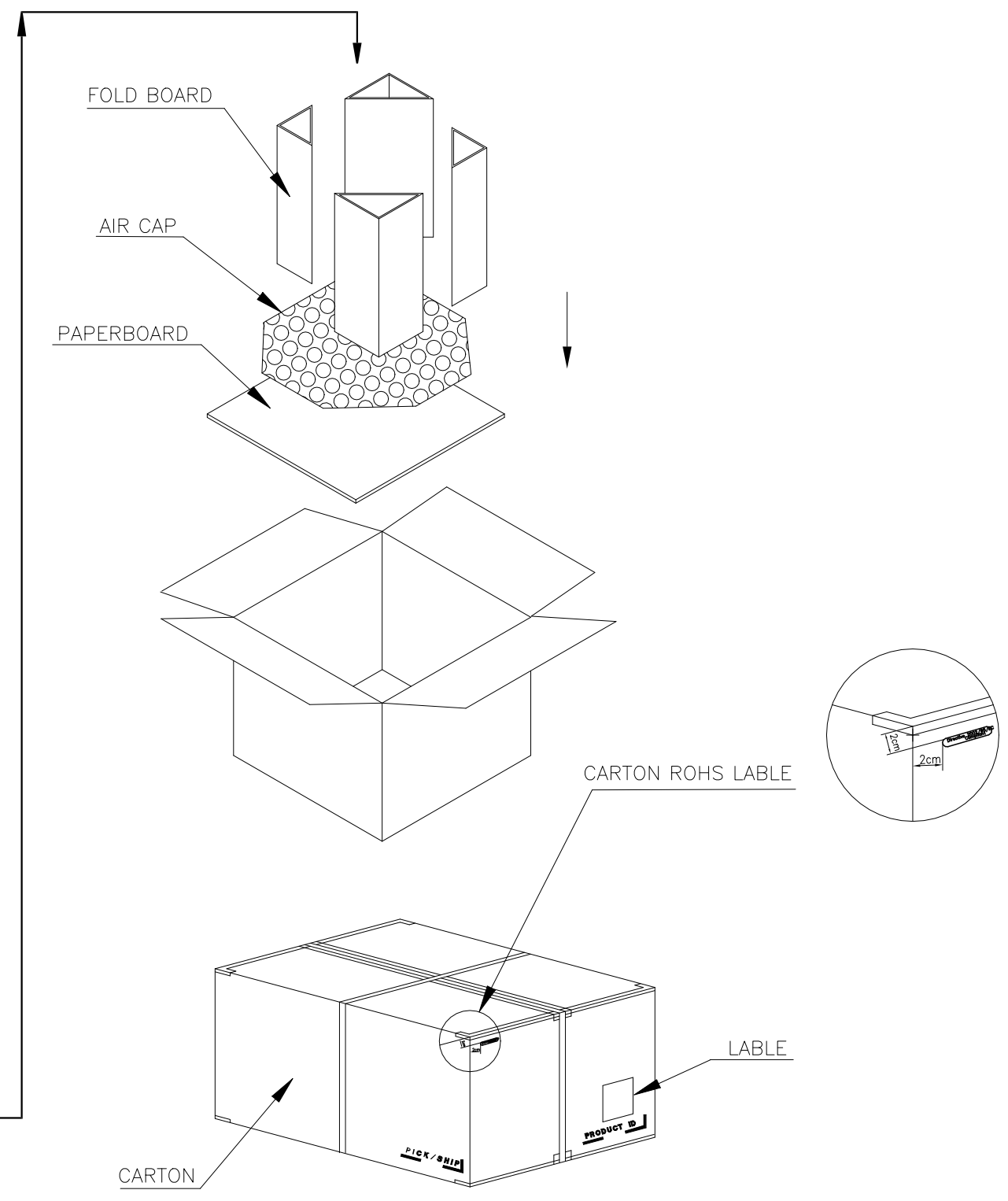
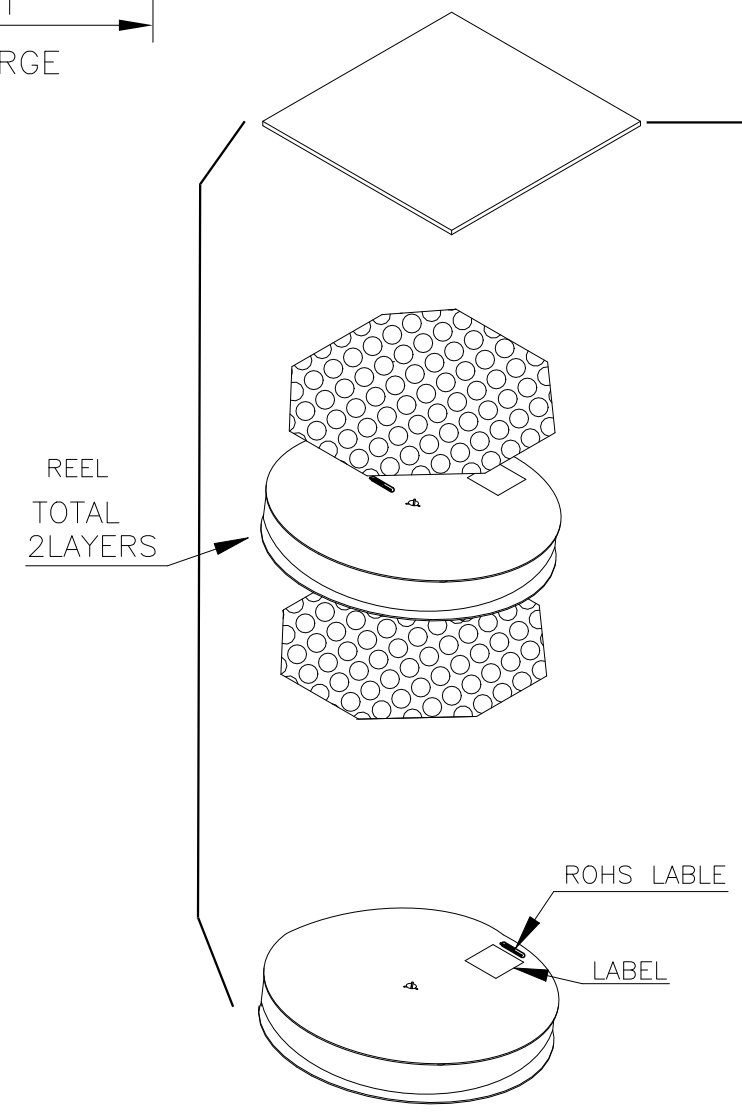
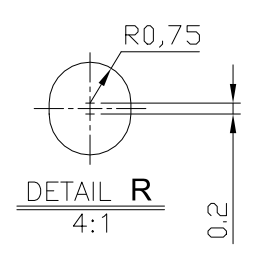
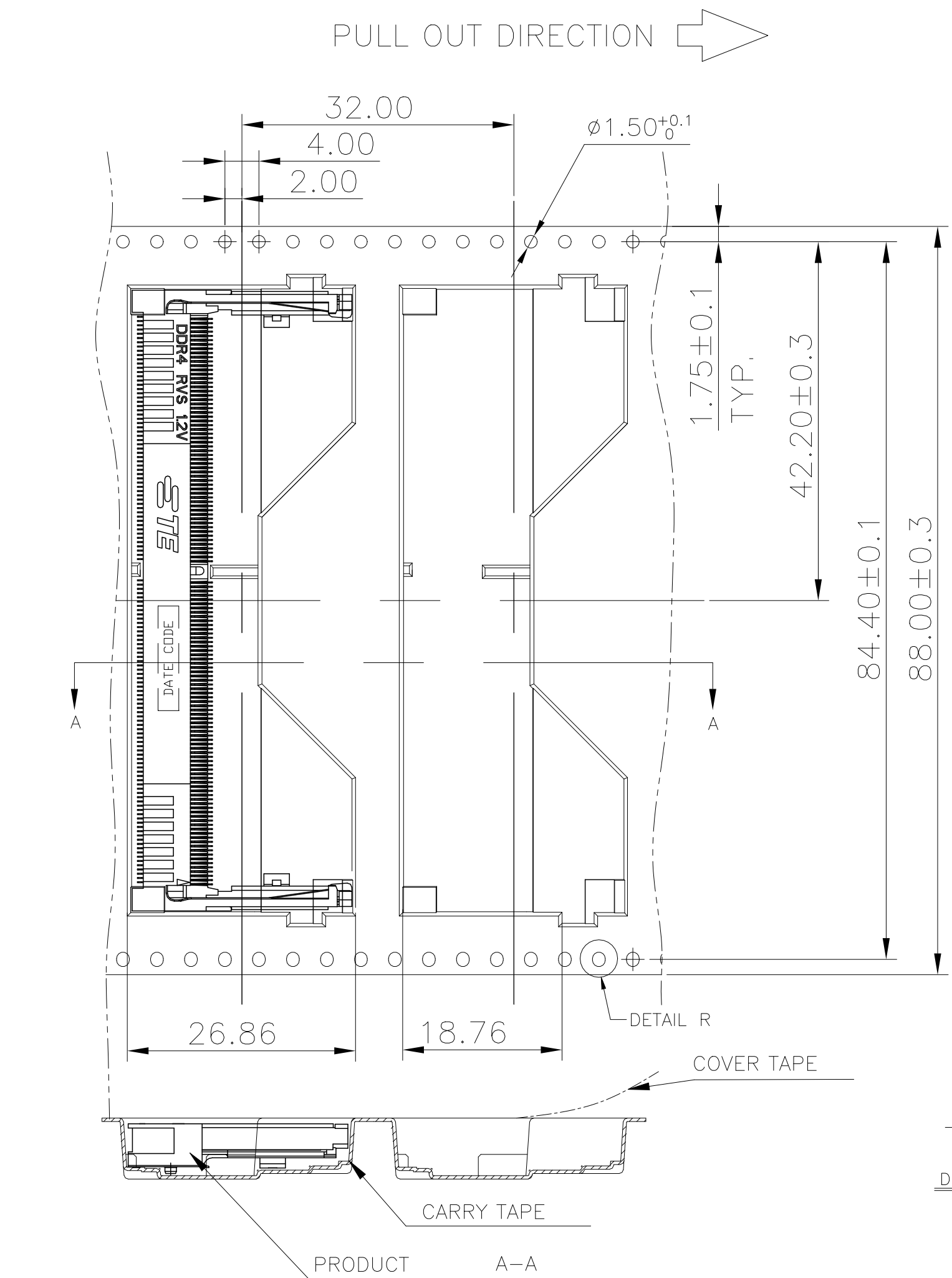
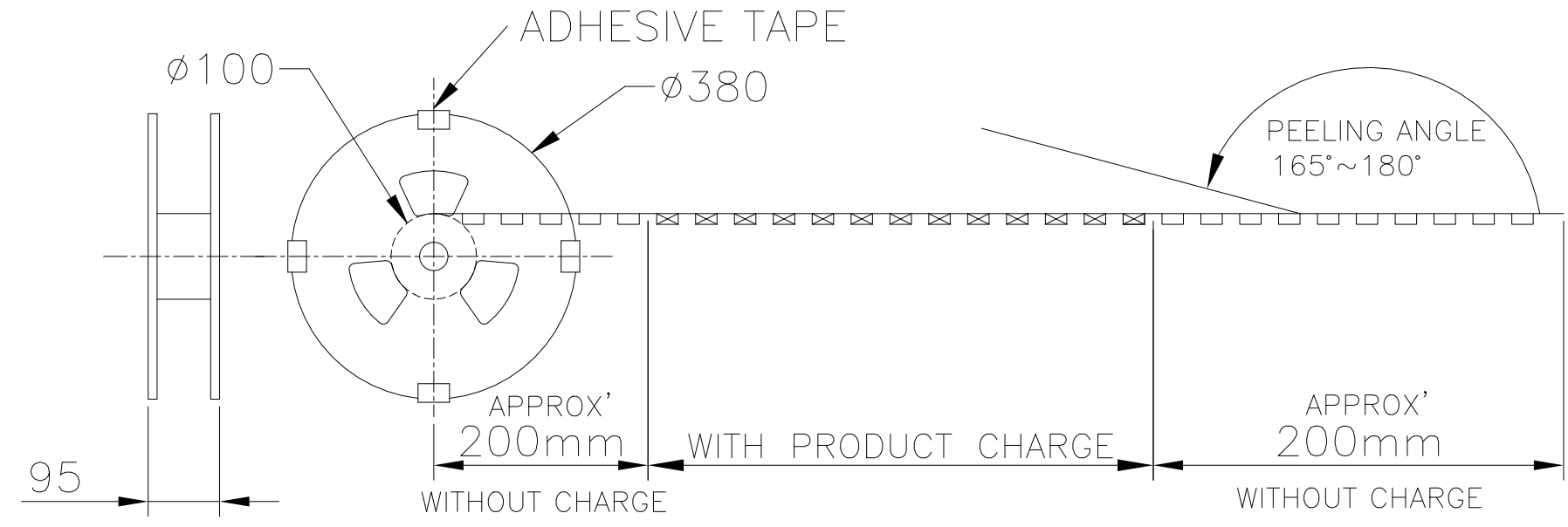
RECOMMEND PCB LAYOUT
 THE TOLERANCE UNLESS SPECIFIED IS ±0.05MM



THIS DRAWING IS A CONTROLLED DOCUMENT.		OWN DAVID ZHAO 09SEP2016		TE Connectivity	
DIMENSIONS: mm		CHK RICHARD MA 09SEP2016		NAME	
TOLERANCES UNLESS OTHERWISE SPECIFIED:		APVD SIMON LI 09SEP2016	DDR4 SODIMM SOCKET		
0 PLC ±	1 PLC ±	PRODUCT SPEC	0.5mm PITCH 260POS		
2 PLC ±	3 PLC ±	APPLICATION SPEC	5.2mm HEIGHT REVERSE TYPE		
4 PLC ±	ANGLES ±	WEIGHT	SIZE A2	CAGE CODE 00779	DRAWING NO. C=2309410
FINISH		CUSTOMER DRAWING	RESTRICTED TO	SCALE 1:1	SHEET 2 OF 3
					REV 6

THIS DRAWING IS UNPUBLISHED. RELEASED FOR PUBLICATION
 © COPYRIGHT - By - ALL RIGHTS RESERVED.

REVISIONS					
P	LTR	DESCRIPTION	DATE	OWN	APVD
-	-	-	-	-	-



400	2	800	*-2309410-*
PCS/REEL	REEL/CARTON	PCS/CARTON	PART NUMBER

THIS DRAWING IS A CONTROLLED DOCUMENT.		DWN DAVID ZHAO 09SEP2016	 TE Connectivity
DIMENSIONS: mm		CHK RICHARD MA 09SEP2016	
TOLERANCES UNLESS OTHERWISE SPECIFIED:		APVD SIMON LI 09SEP2016	NAME
0 PLC ±	1 PLC ±	PRODUCT SPEC	DDR4 SODIMM SOCKET
2 PLC ±	3 PLC ±	APPLICATION SPEC	0.5mm PITCH 260POS
4 PLC ±	ANGLES ±	WEIGHT	5.2mm HEIGHT REVERSE TYPE
MATERIAL FINISH		CUSTOMER DRAWING	SIZE A2
			CAGE CODE 00779
			DRAWING NO C=2309410
			RESTRICTED TO -
			SCALE - SHEET 3 of 3 REV 6