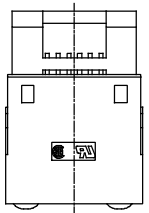
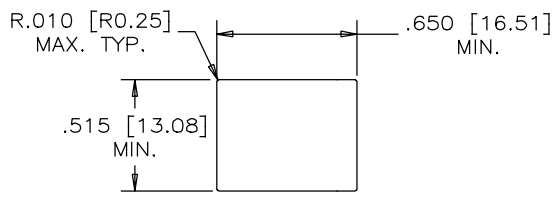


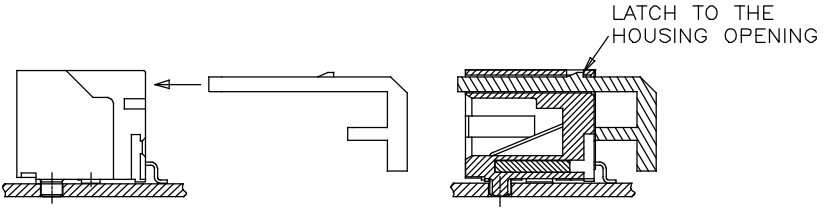
REVISIONS			
REV	DESCRIPTION, ECN, EAR NO.	DATE	APP'D
A	PROPOSAL FOR EAR# RJ18161	SEP 05/18	L.CHAN



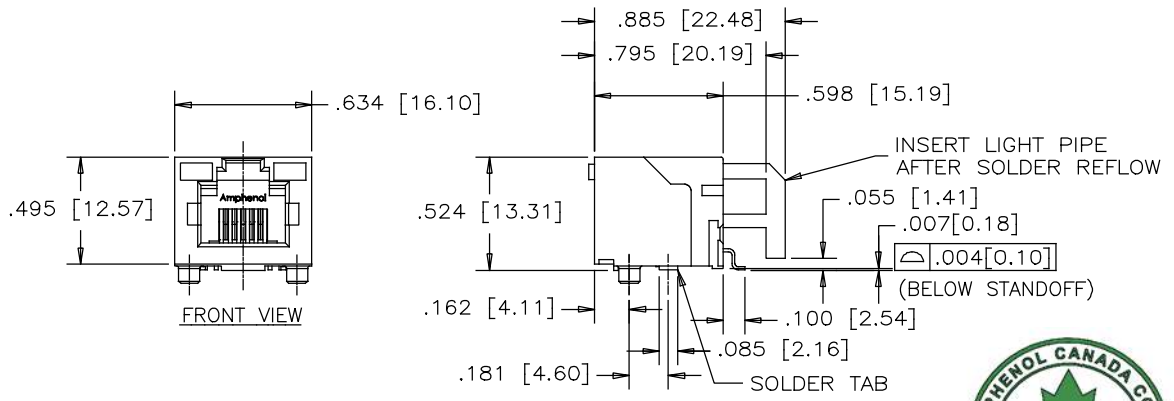
TOP VIEW



RECOMMENDED PANEL CUTOUT

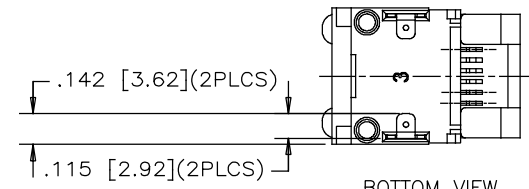


AFTER SOLDER REFLOW, LOAD LIGHT PIPE THROUGH THE CONNECTOR REAR ACCESS IN THE DIRECTION AS SHOWN

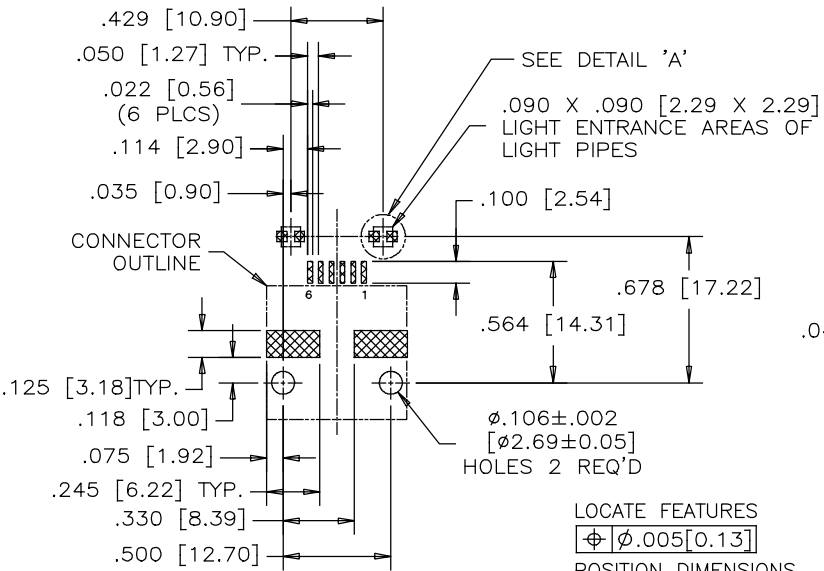


FRONT VIEW

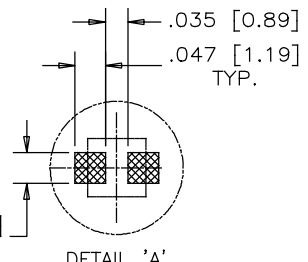
SIDE VIEW



BOTTOM VIEW



RECOMMENDED P.C.B. LAYOUT (COMPONENT SIDE OF BOARD)



DETAIL 'A' (ENLARGED)  
SMT LED SOLDER PAD (SMT LED TO BE PROVIDED BY THE CUSTOMER)

LOCATE FEATURES  
POSITION DIMENSIONS ARE BASIC  
 $\phi .005 [0.13]$

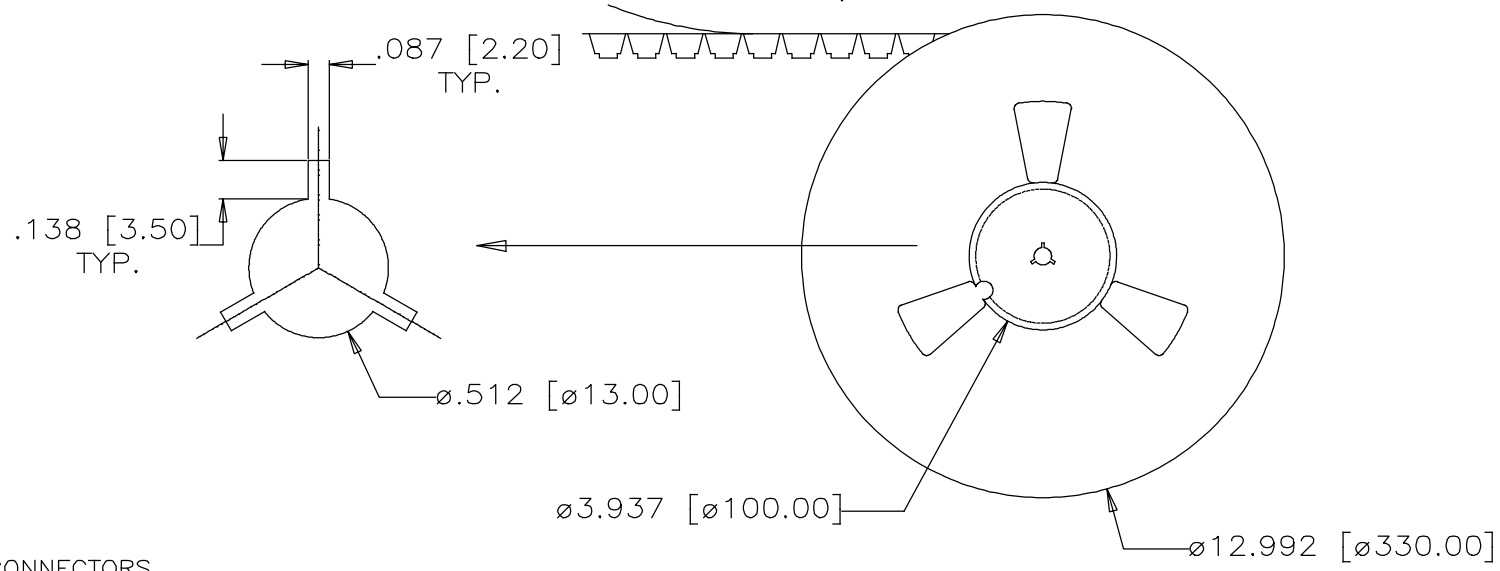
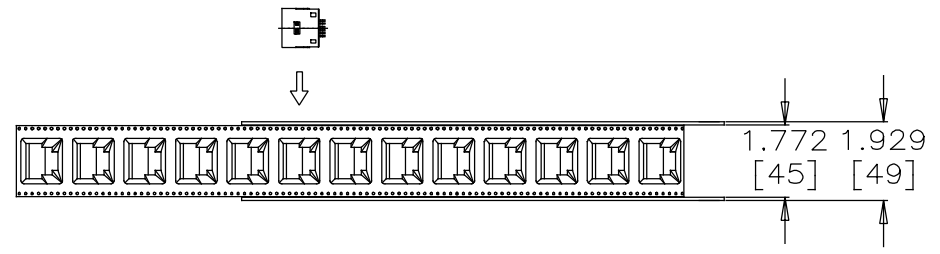
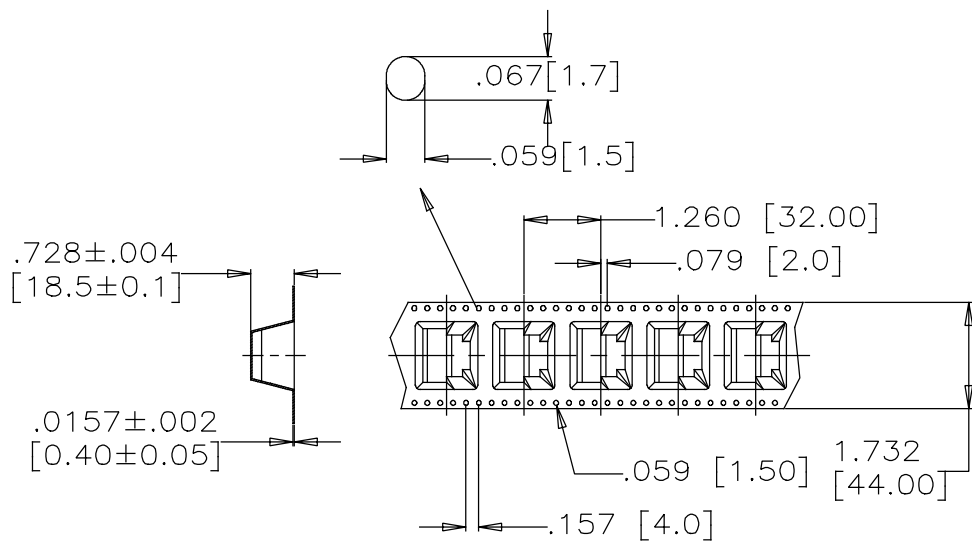
- MATERIALS:  
 PLASTIC HOUSING: HIGH TEMPERATURE THERMOPLASTIC  
 FLAMMABILITY RATING UL 94V-0  
 COLOR: BLACK
- CONTACTS:  
 PHOSPHOR BRONZE  
 PLATING: 20 μ" [0.51 MICRONS]  
 MIN. GOLD ON MATING SURFACES.  
 50 μ" [1.27 MICRONS]  
 MIN. NICKEL UNDERPLATE.  
 100 μ" [2.54 MICRONS]  
 MIN. MATTE TIN ON CONTACT TAILS.
- LIGHT PIPE: CLEAR POLYCARBONATE  
 FLAMMABILITY RATING UL 94V-0
- BRACKET: COPPER ALLOY WITH MATTE-TIN PLATING

AMPHENOL PART NUMBER: RJSSE-7061-01T

UNLESS SPECIFIED OTHERWISE	DRAWN RONNIE.C	SEP05/18
PRIMARY UNITS MILLIMETERS	CHECKED AMY.Z	SEP05/18
SECONDARY INCHES	M.E. APP'D	
REFERENCE IN PARENTHESES	Q.A. APP'D	
GENERAL TOLERANCES	DWG APP'D	
1 DECIMAL PLACE ±0.X	ENG. REL. NO.	
2 DECIMAL PLACES ±0.XX	REF. EAR# RJ18161	
3 DECIMAL PLACES ±0.XXX		
ANGULAR DEGREES ±X'X'	THIRD ANGLE PROJECTION	DO NOT SCALE DRAWING

Amphenol Canada Corp. Commercial Products	
SURFACE MOUNT MODULAR JACK 6 POSITION, 6 CONTACTS, UNSHIELDED, WITH LIGHT PIPE, TAPE & REEL PACKAGING - RoHS COMPLIANT.	
DWG NO. P-RJSSE-7061-01T	REV A
CODE ID NO. 03554	DWG SIZE X SCALE N/A SHEET 1 OF 2

REVISIONS			
REV	DESCRIPTION, ECN, EAR NO.	DATE	APP'D
A	PROPOSAL FOR EAR# RJ18161	SEP 05/18	L.CHAN



PACKAGING NOTES:

1. ONE REEL SHOULD HOLD 100 CONNECTORS.
2. 10 EMPTY CAVITIES FOR BOTH TOP AND BOTTOM OF THE CARRIER.
3. A FULLY LOADED CARTON SHOULD CONTAIN 5 REELS (500 PCS) OF CONNECTOR.

UNLESS SPECIFIED OTHERWISE	DRAWN RONNIE.C	SEP05/18	Amphenol Canada Corp. Commercial Products
PRIMARY UNITS MILLIMETERS	CHECKED AMY.Z	SEP05/18	
SECONDARY INCHES	M.E. APP'D		SURFACE MOUNT MODULAR JACK 6 POSITION, 6 CONTACTS, UNSHIELDED, WITH LIGHT PIPE, TAPE & REEL PACKAGING - RoHS COMPLIANT.
REFERENCE IN PARENTHESES	Q.A. APP'D		
GENERAL TOLERANCES	DWG APP'D		
1 DECIMAL PLACE ±0.X	ENG. REL NO.		DWG NO.
2 DECIMAL PLACES ±0.XX	REF. EAR# RJ18161		P-RJSSE-7061-01T
3 DECIMAL PLACES ±0.XXX	THIRD ANGLE PROJECTION	DO NOT SCALE DRAWING	REV A
ANGULAR DEGREES ±X'X'			CODE ID NO. 03554   DWG SIZE X   SCALE N/A   SHEET 2 OF 2