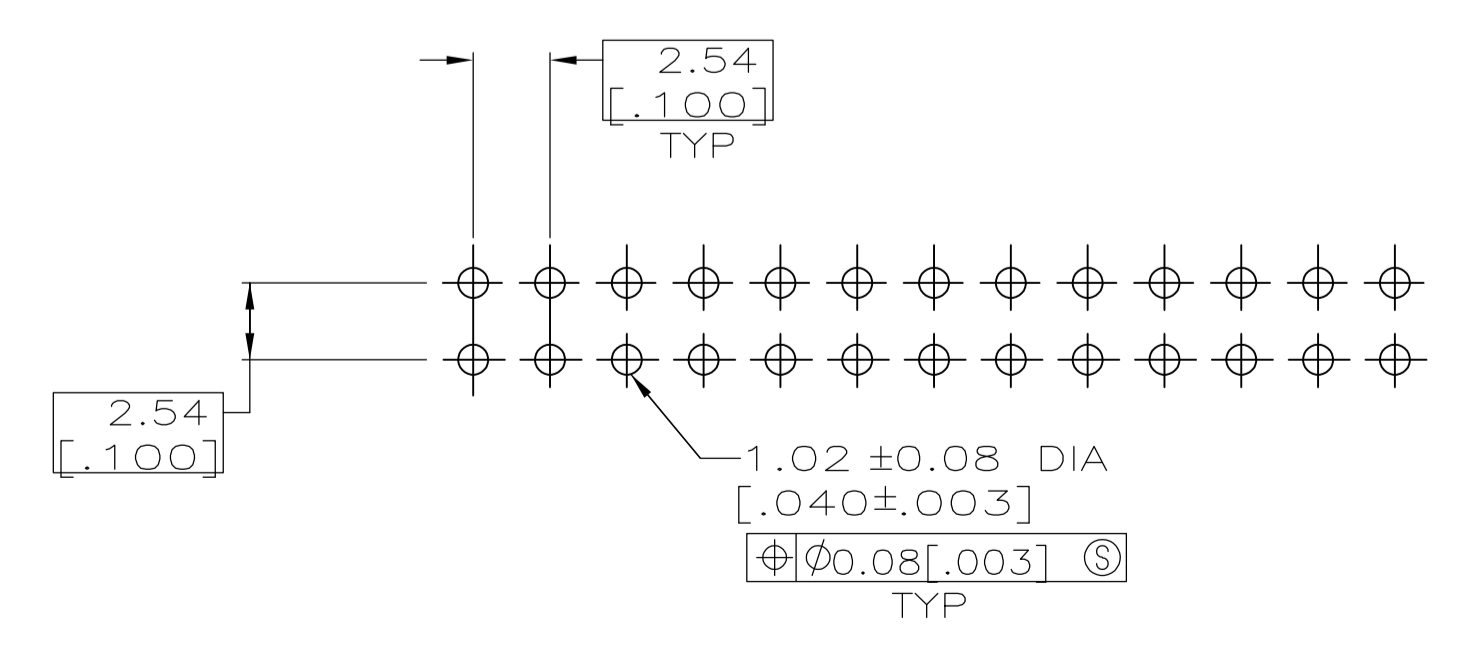
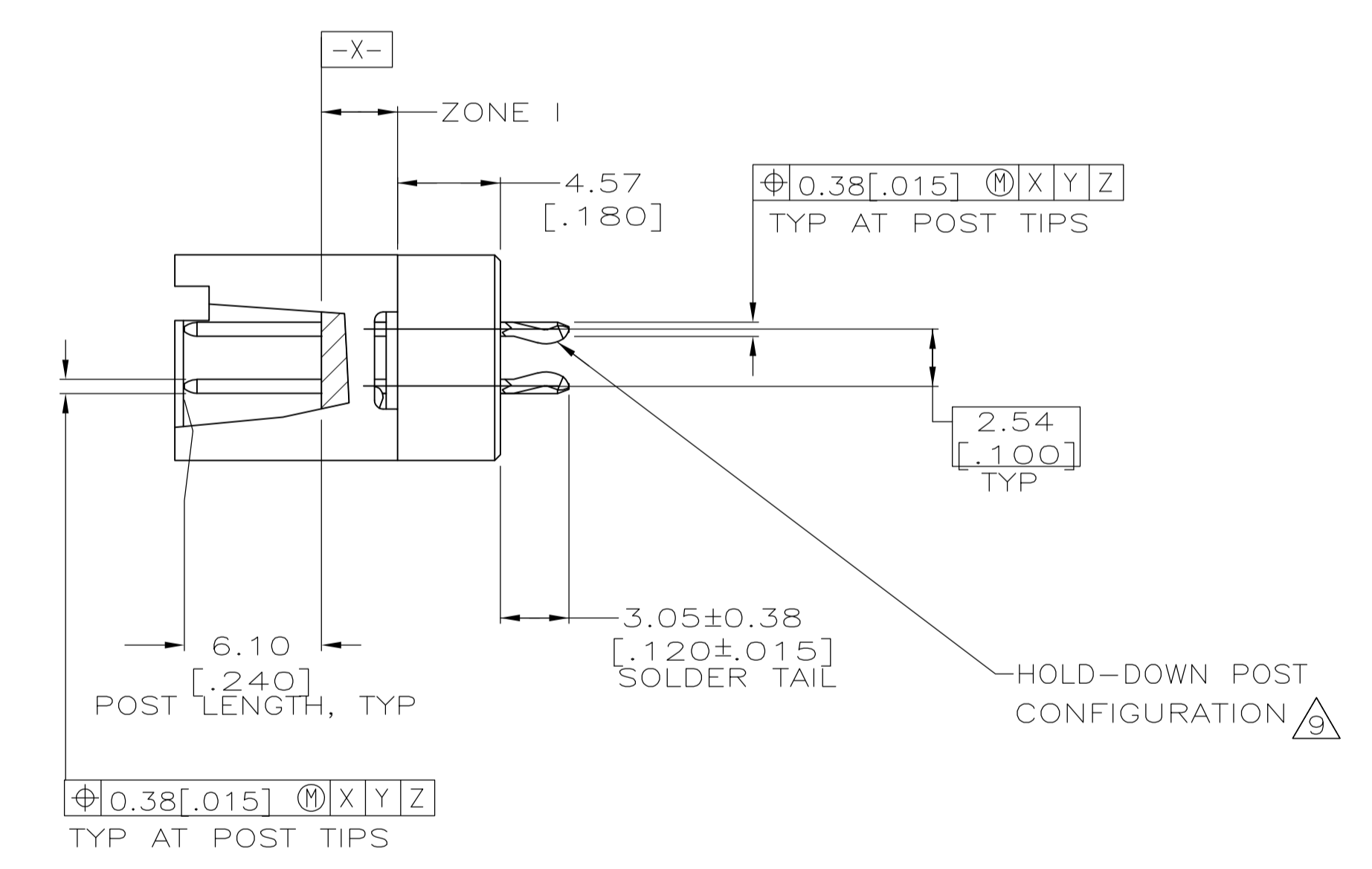
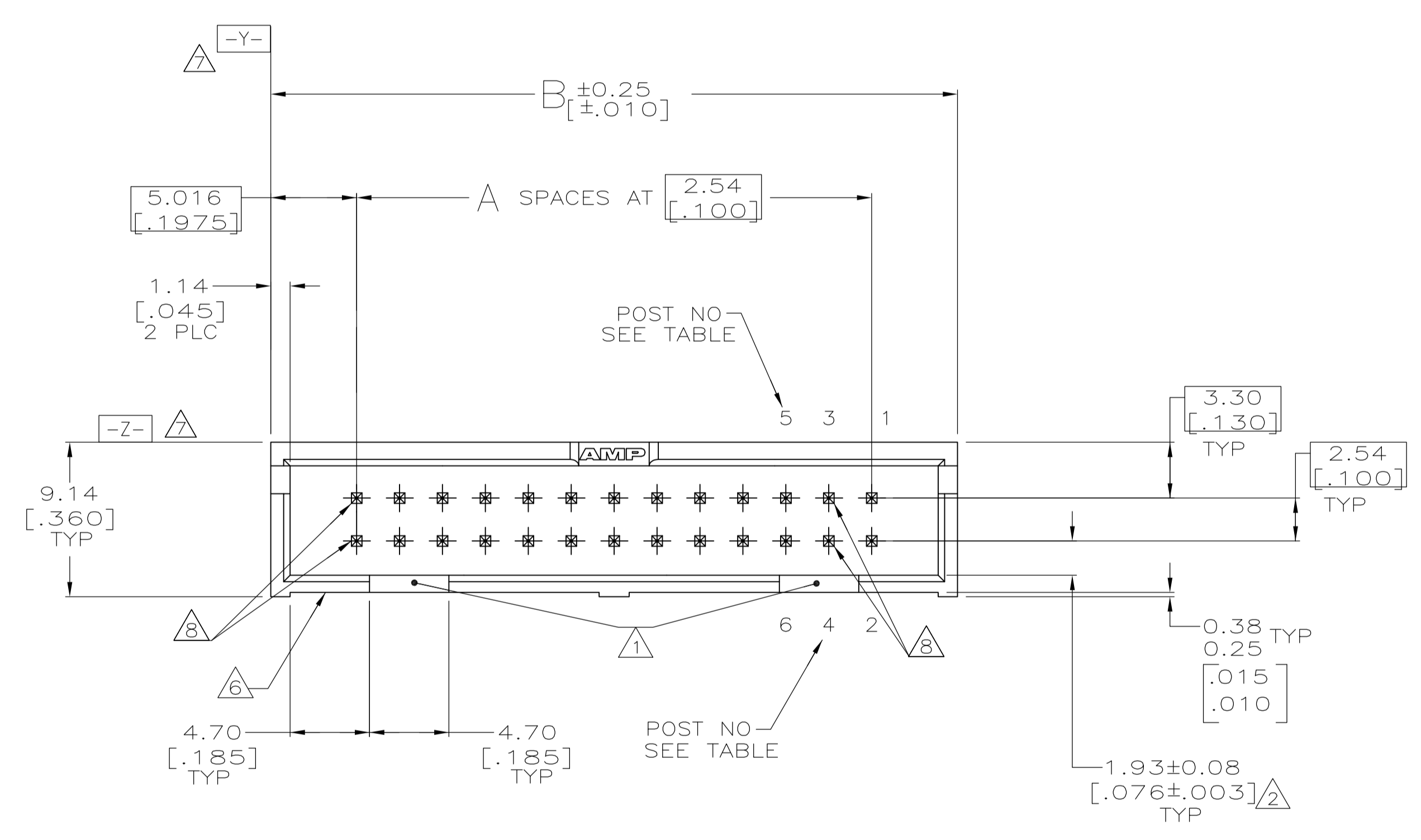


- $\Delta 1$ DOUBLE BAR POLARIZATION.
- $\Delta 2$ DIMENSION APPLIES AT THE INTERSECTION OF THE POST AND HOUSING.
- $\Delta 3$ CENTER POLARIZATION SLOT.
- $\Delta 4$ HOUSING: GLASS FILLED NYLON OR PBT, BLACK, UL 94V-0 RATED. POSTS: BRASS.
- $\Delta 5$ POSTS: GOLD FLASH OVER $0.38 \mu\text{m}$ [.000015] MIN PALLADIUM-NICKEL PLATE ON THE MATING SURFACES, $2.54 \mu\text{m}$ [.000100] MIN TIN-LEAD PLATE ON THE SOLDER-TAILS, $1.27 \mu\text{m}$ [.000050] MIN NICKEL UNDERPLATE ON THE ENTIRE POST.
-OR-
 $0.38 \mu\text{m}$ [.000015] MIN GOLD PLATE ON THE MATING SURFACES, $2.54 \mu\text{m}$ [.000100] MIN TIN-LEAD PLATE ON THE SOLDER-TAILS, $1.27 \mu\text{m}$ [.000050] MIN NICKEL UNDERPLATE ON THE ENTIRE POST.
- $\Delta 6$ OPTIONAL AMP IDENTIFICATION NUMBER (DATE CODE). LOCATION APPROXIMATELY WHERE SHOWN.
- $\Delta 7$ DATUM Y AND Z APPLY ONLY IN ZONE I.
- $\Delta 8$ LOCATION OF HOLD-DOWN POSTS (4 PLACES).
- $\Delta 9$ THE RETENTIVE FEATURE ON THIS CONNECTOR WAS DESIGNED TO BE USED FULLY SEATED IN A CIRCUIT BOARD HAVING A THICKNESS OF 1.57 ± 0.18 [.062 ± .007] FOR CONNECTORS HAVING RETENTIVE FEATURES DESIGNED FOR USE IN CIRCUIT BOARDS OF OTHER THICKNESSES CONTACT AMP INCORPORATED.



RECOMMENDED HOLE LAYOUT

OBSOLETE	19	40.64	12	26	111812-6
		[1.600]			
OBSOLETE	2	27.94	7	16	111812-3
		[1.100]			
	POST OMITTED LOCATION	B	A	NO OF POSN	PART NUMBER

THIS DRAWING IS A CONTROLLED DOCUMENT.

DIMENSIONS: mm [INCHES]	TOLERANCES UNLESS OTHERWISE SPECIFIED:	DIN C. OBERMAN 8-18-93	TE Connectivity
0 PLC ± -	1 PLC ± -	8-19-93	
2 PLC ± ± 0.13 [.005]	3 PLC ± -		
4 PLC ± -	ANGLES ± -		
MATERIAL $\Delta 4$	FINISH $\Delta 5$	APVD R. KILF 9-7-93	NAME
		PRODUCT SPEC	108-40018
		APPLICATION SPEC	
		SIZE	A1
		WEIGHT	00779
		CUSTOMER DRAWING	SCALE 4:1 SHEET 1 OF 1 REV H