

THIS DRAWING IS UNPUBLISHED.

RELEASED FOR PUBLICATION

LOC

DIST

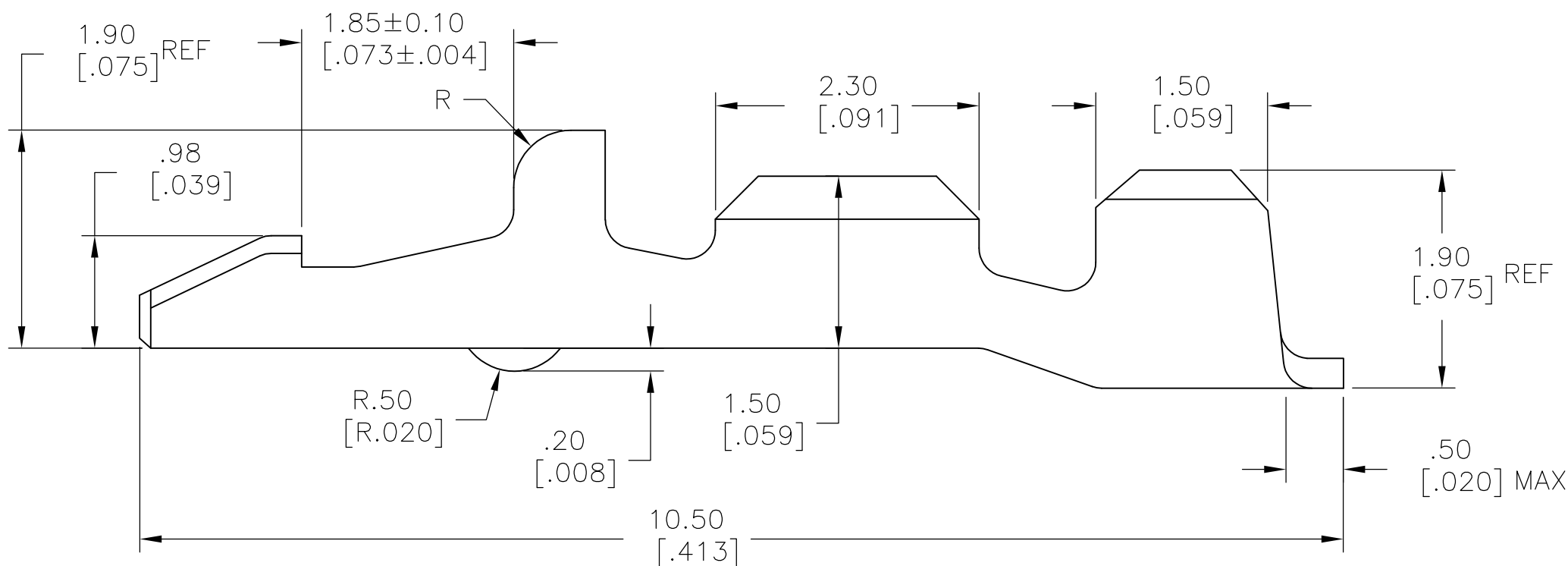
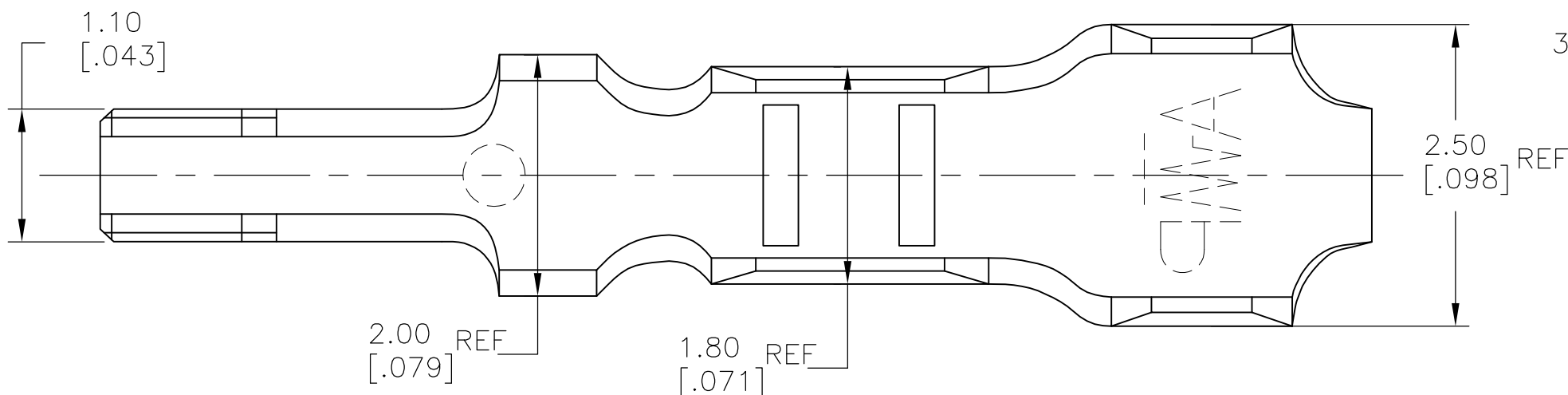
REVISIONS

© COPYRIGHT - By -

ALL RIGHTS RESERVED.

P	LTR	DESCRIPTION	DATE	DWN	APVD
E		REVISED PER ECR-14-016288	20NOV2014	NK	GJ

- 1 PRODUCT SPECIFICATION: 108-5087.
- 2 APPLICATION SPEC: 114-5014.
- 3 PC BOARD THICKNESS 1.60±0.14 [.063±.005]
HOLE DIAMETER 1.20±0.00 [.047±.000]
(DRILL SIZE).



THIS DRAWING IS A CONTROLLED DOCUMENT.

DWN *H. Skubogzki* 08/01/74

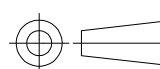
CHK *Y. Sebel* 08/01/74

APVD *H. Skubogzki* -



DIMENSIONS:
mm [INCHES]

TOLERANCES UNLESS
OTHERWISE SPECIFIED:



- 0 PLC ± -
- 1 PLC ± -
- 2 PLC ± 0.40 [.015]
- 3 PLC ± -
- 4 PLC ± -
- ANGLES ± 1°

WIRE RANGE
0.05~0.15 mm²
[.000071~.00023 SQ IN]
(AWG #30-#26)

INSULATION DIA
0.66~1.22 mm
[.026~.048 IN]

MATERIAL
BRASS

FINISH
POST PLATED
TIN OVER Ni

PRODUCT SPEC
-

APPLICATION SPEC
-

WEIGHT
-

NAME
MINI AMP-IN

SIZE	CAGE CODE	DRAWING NO	RESTRICTED TO
A3	00779	C-170198	-

CUSTOMER DRAWING SCALE 12:0 SHEET 1 OF 1 REV E