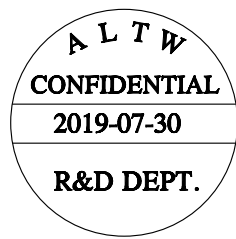
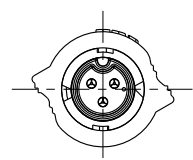
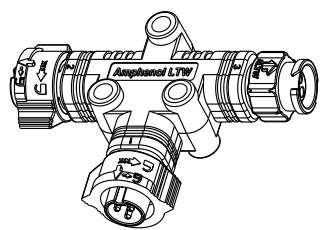
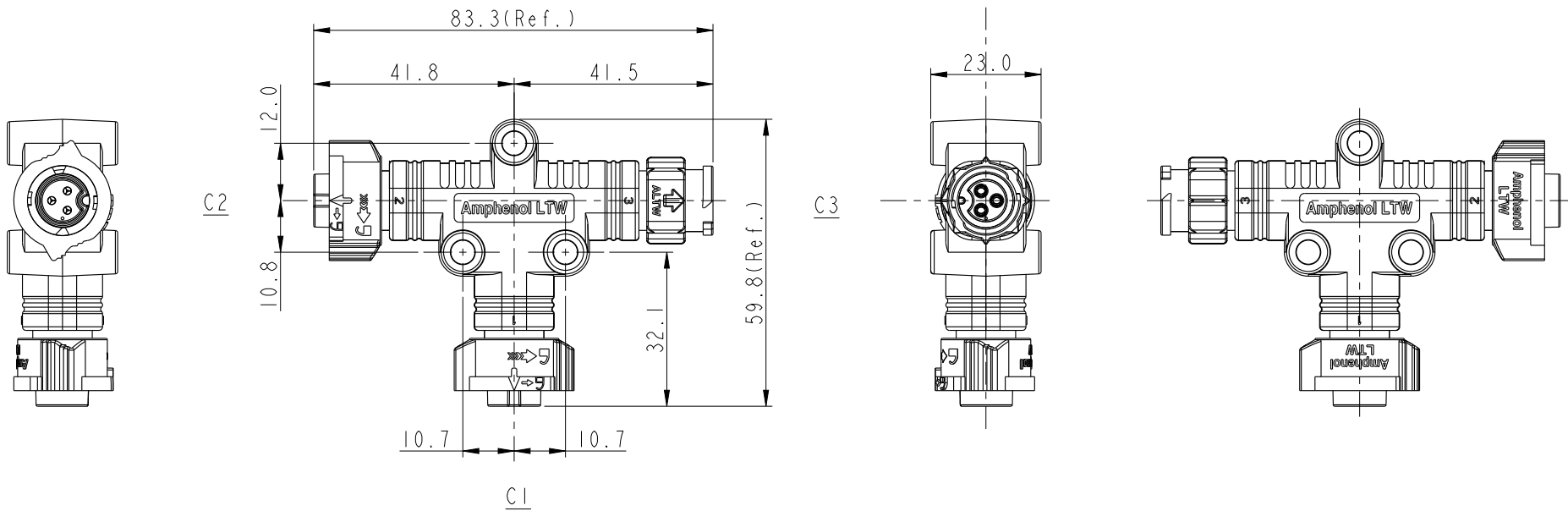


THIS DOCUMENT IS SUBJECT TO CHANGE WITHOUT NOTICE. IT IS CONFIDENTIAL AND A PROPERTY OF Amphenol LTW. DISCLOSURE TO THIRD PARTY HAS TO BE AUTHORIZED BY Amphenol LTW.

REV.	DESCRIPTION



- Note:
- * Waterproof Rate: IP68(1M/24Hours)
 - * C3 (Male Conn.)
Housing: Thermoplastic.
Pin: Copper Alloy.
 - * C1 & C2 (Female Conn.)
Housing: Thermoplastic.
Pin: Copper Alloy.
Nut: Thermoplastic.
 - * Wire Harness: UL1007 16Awg.

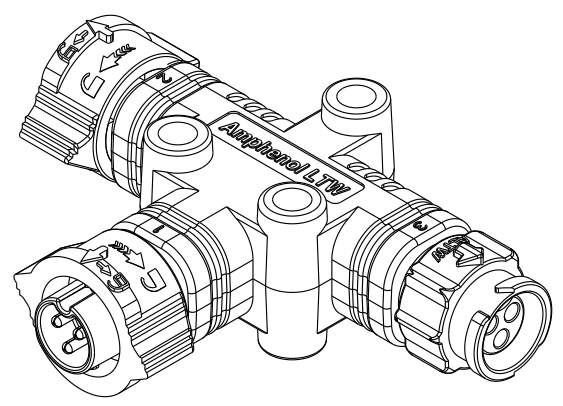
UNIT:mm			TITLE T Adaptor X-Lok, B Size
TOLERANCE ±0.5mm	SCALE 1:1	SIZE A4	SHEET 1 OF 2
REV. A	WC-REV. .0	QC: Inspection item	

Amphenol LTW
安費諾亮泰企業股份有限公司

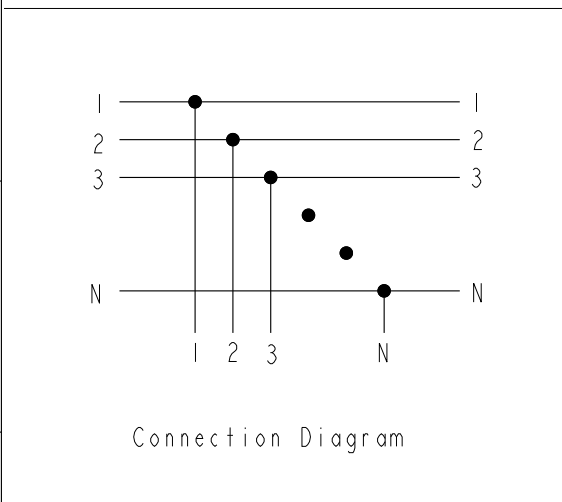
ITEM NO	DRAWN BY Ouyang	DATE 2019-07-30
DWG NO AB-BB-XXXXXX-BBH-T0001	CHECKED BY Jerry	DATE 2019-07-30
CUSTOMER ALTW	APPROVED BY Fred	DATE 2019-07-30

THIS DOCUMENT IS SUBJECT TO CHANGE WITHOUT NOTICE. IT IS CONFIDENTIAL AND A PROPERTY OF Amphenol LTW. DISCLOSURE TO THIRD PARTY HAS TO BE AUTHORIZED BY Amphenol LTW.

REV.	DESCRIPTION



	Pin Assignment Front View			
	2pin		3pin	
Male				
Female				
Pin Out	Pin#	Color	Pin#	Color
	Pin1 Pin3	Red(紅) Black(黑)	Pin1 Pin2 Pin3	Red(紅) Brown(棕) Black(黑)



AB-BB-XXXXXX-BBH-TQ001

Connector Type:
 02: 2Pin
 03: 3Pin
 N: N Pin

UNIT:mm			TITLE T Adaptor X-Lok, B Size
TOLERANCE ±0.5mm	SCALE 1:1	SIZE A4	SHEET 2 OF 2
REV. A	WC-REV. .0	QC: Inspection item	

Amphenol LTW
 安費諾亮泰企業股份有限公司

ITEM NO	DRAWN BY Ouyang	DATE 2019-07-30
DWG NO AB-BB-XXXXXX-BBH-TQ001	CHECKED BY Jerry	DATE 2019-07-30
CUSTOMER ALTW	APPROVED BY Fred	DATE 2019-07-30