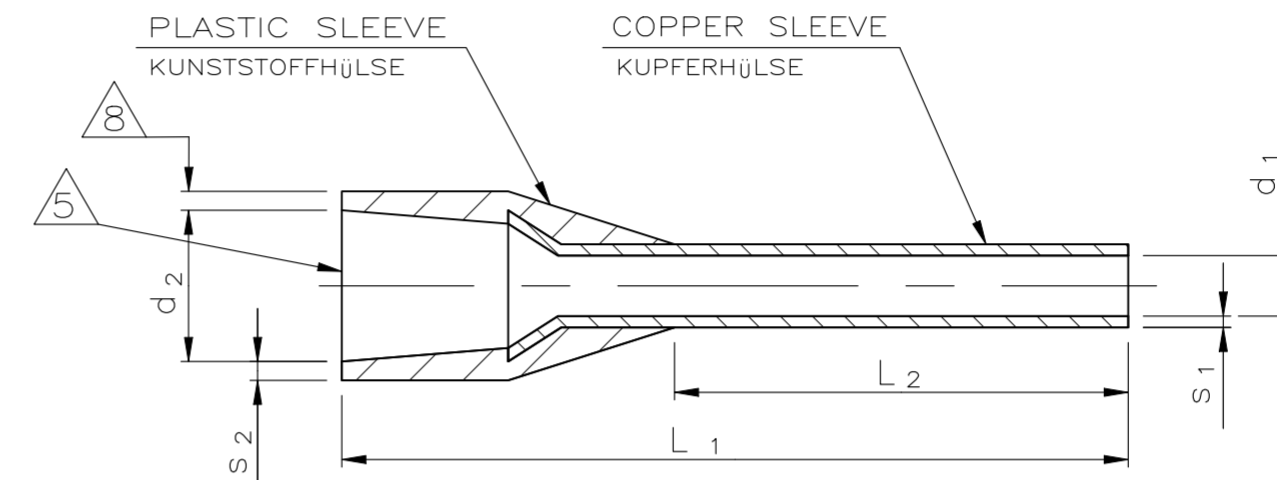


P	LTR	DESCRIPTION	DATE	DWN	APVD
C8		REVISED PER ECR-23-166943	02MAR2023	BB	DSC

PART NO. BESTELL-NR.	SIZE		RECOMMENDED STRIP LENGTH ABISOLIER-LÄNGE	MINIMUM PULL-OUT STRENGTH SLEEVE STRAND CONDUCTOR MINDEST-AUSZUGSKRAFT HÄUSE LITZENLEITER	COLOUR FARBE	d ₁ /mm	d ₂ /mm	L ₁ /mm	L ₂ /mm	s ₁ /mm	s ₂ /mm	COLOR TYPE	PACKAGE QTY VERPACKUNGS-EINHEIT
	mm ²	AWG											
966 066-1	0.25	24	8.5+0.2	10	LIGHT BLUE HELLBLAU	0.75 +0.14	1.8 ±0.2	10.0 ±1.5	6.0 ±0.4	0.15 ±0.05	0.25 ±0.1	2	500
966 066-2	0.25	24	10.5+0.2	10	LIGHT BLUE HELLBLAU	0.75 +0.14	1.8 ±0.2	12.0 ±1.5	8.0 ±0.4	0.15 ±0.05	0.25 ±0.1	2	500
966 066-3	0.34	22	8.5+0.2	15	TURQUOISE TÜRKIS	0.8 +0.14	2.0 ±0.2	10.0 ±1.5	6.0 ±0.4	0.15 ±0.05	0.25 ±0.1	2	500
966 066-4	0.34	22	10.5+0.2	15	TURQUOISE TÜRKIS	0.8 +0.14	2.0 ±0.2	12.0 ±1.5	8.0 ±0.4	0.15 ±0.05	0.25 ±0.1	2	500
966 066-5	0.14	26	8.5+0.2	7	GREY GRAU	0.7 +0.14	1.6 ±0.2	10.0 ±1.5	6.0 ±0.4	0.15 ±0.05	0.25 ±0.1	2	500
966 066-7	0.50	20	10.5+0.2	20	ORANGE ORANGE	1.0 +0.14	2.6 ±0.2	14.0 ±1.5	8.0 ±0.4	0.15 ±0.05	0.25 ±0.1	2	500
966 066-9	0.75	18	10.5+0.2	30	WHITE WEISS	1.2 +0.14	2.8 ±0.2	14.0 ±1.5	8.0 ±0.4	0.15 ±0.05	0.25 ±0.1	2	500
1-966 066-0	1.00	18	10.5+0.2	35	YELLOW GELB	1.4 +0.14	3.0 ±0.2	14.0 ±1.5	8.0 ±0.4	0.15 ±0.05	0.25 ±0.1	2	500
1-966 066-1	1.50	16	12.5+0.2	40	RED ROT	1.7 +0.25	3.5 ±0.2	16.0 ±1.5	10.0 ±0.4	0.15 ±0.05	0.25 ±0.1	2	500
1-966 066-5	6.00	10	15.5+0.2	80	BLACK SCHWARZ	3.5 +0.30	6.3 ±0.4	20.0 ±1.5	12.0 ±0.6	0.20 ±0.05	0.30 ±0.1	2	100
1-966 066-6	0.14	26	10.5+0.2	7	GREY GRAU	0.7 +0.14	1.6 ±0.2	12.0 ±1.5	8.0 ±0.4	0.15 ±0.05	0.25 ±0.1	2	500
1-966 066-8	0.50	20	12.5+0.2	20	ORANGE ORANGE	1.0 +0.14	2.6 ±0.2	16.0 ±1.5	10.0 ±0.4	0.15 ±0.05	0.25 ±0.1	2	500
1-966 066-9	0.75	18	8.5+0.2	30	WHITE WEISS	1.2 +0.14	2.8 ±0.2	12.0 ±1.5	6.0 ±0.4	0.15 ±0.05	0.25 ±0.1	2	500
2-966 066-0	0.75	18	12.5+0.2	30	WHITE WEISS	1.2 +0.14	2.8 ±0.2	16.0 ±1.5	10.0 ±0.4	0.15 ±0.05	0.25 ±0.1	2	500
2-966 066-2	1.00	18	8.5+0.2	35	YELLOW GELB	1.4 +0.14	3.0 ±0.2	12.0 ±1.5	6.0 ±0.4	0.15 ±0.05	0.25 ±0.1	2	500
2-966 066-3	1.00	18	12.5+0.2	35	YELLOW GELB	1.4 +0.14	3.0 ±0.2	16.0 ±1.5	10.0 ±0.4	0.15 ±0.05	0.25 ±0.1	2	500
2-966 066-4	1.00	18	14.5+0.2	35	YELLOW GELB	1.4 +0.14	3.0 ±0.2	18.0 ±1.5	12.0 ±0.6	0.15 ±0.05	0.25 ±0.1	2	500
2-966 066-5	1.50	16	10.5+0.2	40	RED ROT	1.7 +0.25	3.5 ±0.2	14.0 ±1.5	8.0 ±0.4	0.15 ±0.05	0.25 ±0.1	2	500
3-966 066-0	4.00	12	12.5+0.2	60	GREY GRAU	2.8 +0.25	4.8 ±0.4	17.0 ±1.5	10.0 ±0.4	0.20 ±0.05	0.30 ±0.1	DIN/2	500
3-966 066-3	6.00	10	22.5+0.2	80	BLACK SCHWARZ	3.5 +0.30	6.3 ±0.4	26.0 ±2.0	18.0 ±0.6	0.20 ±0.05	0.30 ±0.1	2	100
3-966 066-6	16.00	6	15.5+0.2	100	GREEN GRAU	5.8 +0.30	8.8 ±0.4	24.0 ±2.0	12.0 ±0.6	0.20 ±0.05	0.40 ±0.15	2	100



- 1 THE AWG CROSS-SECTION CAN DIFFER SLIGHTLY FROM THE DIN-STANDARD CROSS-SECTION VALUES.
- 2 NOTE DELETED
- 3 PARTS PACKED IN PLASTIC BAG, LOOSE PIECE
- 4 COLOUR TYPE 2: COLOUR PER GERMAN STANDARD COLOUR TYPE DIN: COLOUR PER DIN 46228 PART 4
- 5 MAX.INSULATION DIA. OF WIRE: d₂ MIN.-0.1
- 6. NOTE DELETED
- 7. NOTE DELETED.
- 8 0.6MM ALLOWABLE MOLDING FLASH PRESENT IN THIS ZONE
- 9 MATERIAL:
METAL SLEEVE - COPPER
PLASTIC SLEEVE - POLYPROPYLENE
- 10 FINISH:
METAL SLEEVE - TIN PLATE 3µm MIN THICKNESS
PLASTIC SLEEVE COLOR - SEE TABLE
- 11. MAXIMUM RECOMMENDED TEMPERATURE 105°C
- 12. PARTS PER DIN 46228 PART 4 UNLESS OTHERWISE NOTED
- 13 DIMENSIONS DO NOT CONFORM TO DIN 46228 PART 4
- 14. CSA APPROVED, FILE 701553

THIS DRAWING IS A CONTROLLED DOCUMENT.		DWN R.SCHMIDT 04-DEC-92	TE TE Connectivity	
DIMENSIONS: mm		CHK W.BÖCK 13-JAN-93		
TOLERANCES UNLESS OTHERWISE SPECIFIED:		APVD G.FELDMEIER 29-NOV-00	NAME	
0 PLC ± - 1 PLC ± - 2 PLC ± - 3 PLC ± - 4 PLC ± - ANGLES / WINKEL ± -		PRODUCT SPEC	WIRE FERRULE WITH PLASTIC SLEEVE, SINGLE CONDUCTOR, LOOSE PIECE DIN & GERMAN-COLOR CODING	
MATERIAL		FINISH	SIZE A2	CAGE CODE 00779
9		10	DRAWING NO C=966066	RESTRICTED TO
CUSTOMER DRAWING			SCALE	SHEET 1 of 1
			REV	C8