

Customer Part:



Description

- LVDS output crystal oscillator in a hermetically sealed ceramic package with a seam sealed metal lid.
- Model IQXO-618-25 iss:3.00
- Model Issue number 3

Frequency Parameters

- Frequency 100.0MHz
- Frequency Stability $\pm 50.00\text{ppm}$
- Operating Temperature Range -40.00 to 105.00°C
- Ageing $\pm 3\text{ppm}$ max per year at 25°C

Electrical Parameters

- Supply Voltage $2.5\text{V} \pm 5\%$
- Current Draw 50.000mA

Output Details

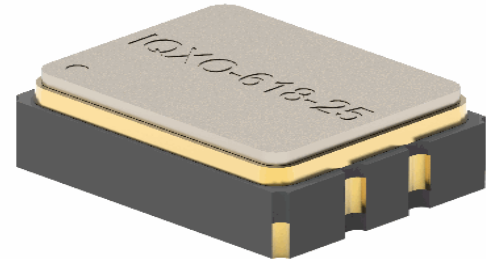
- Output Compatibility LVDS
- Drive Capability 100Ω
- Rise & Fall Time (20 - 80%) 0.5ns max
- Duty Cycle 45/55%
- Differential Output Voltage (VOD): 0.247V min, 0.33V typ, 0.454V max
- Offset Voltage (VOS): 1.125V min, 1.250V typ, 1.375V max.
- Output Voltage Levels:
Output Low (VOL): 0.9V min
Output High (VOH): 1.6V max

Output Control

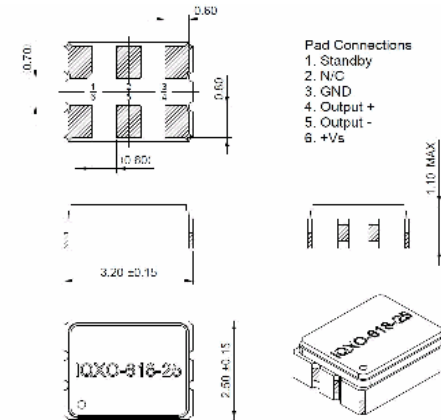
- Standby Operation:
Logic '1' ($\geq 70\%$ Vs) to pad 1 enables oscillator output.
Logic '0' ($\leq 30\%$ Vs) to pad 1 disables oscillator output; when disabled the oscillator output goes to the high impedance state.
No connection to pad 1 enables oscillator output.
- Start-Up Time: 10ms max
- Standby Current: $10\mu\text{A}$ max

Noise Parameters

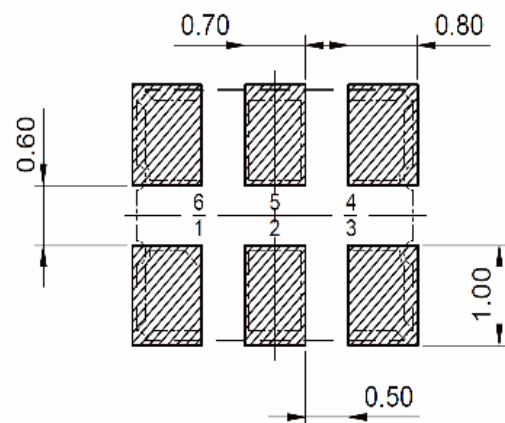
- Phase Jitter (12kHz to 20MHz): 300fs rms max
- Phase Jitter (12kHz to 20MHz):
@100MHz: 155fs rms typ
@125MHz: 119fs rms typ
@156.25MHz: 74fs rms typ



Outline (mm)



Recommended Solder Pad Layout



Sales Office Contact Details:

UK: +44 (0)1460 270200

USA: +1.760 668 8935

Email: info@iqdfrequencyproducts.com

Web: www.iqdfrequencyproducts.com

Customer Part:**Environmental Parameters**

- Storage Temperature Range: -55 to 125°C
- Drop Test (JIS-C0044): the specimen is measured for frequency before the test. It is then dropped from a height of 100cm min as a free fall object onto a hard wooden plate of thickness 30mm min.
- Vibration (MIL-STD-883F : 2007.3): the specimen is measured for frequency before the test. Test in X,Y and Z axes for the vibration test. Frequency range: 20~2000Hz, peak to peak amplitude: 1.52mm, peak acceleration: 20G, sweep time: 20 minute/axis, pendicular total test time: 4 hours.
- Low Temp Exposure (JIS-C0020): the specimen is measured for frequency before the test. Expose device to -40°C±3°C for 168±6 hours. Measure electrical performance after leaving 1~2 hours at room temperature.
- Ageing Test (JIS-C0021): the specimen is measured for frequency before the test. Expose device to +125°C±3°C for 720±48 hours. Measure electrical performance after leaving 1~2 hours at room temperature.
- High Temperature and Humidity (MIL-STD-883F : 1004.7): the specimen is measured for frequency before the test. Expose device to +85°C±5°C and 85±5% humidity for 168±6 hours. Measure electrical performance after leaving 1~2 hours at room temperature.
- Temperature Cycle Test (MIL-STD-883F : 1010.8): the specimen is measured for frequency before the test. Expose device to 100 cycles of:
Low temp: -55°C±3°C for 15±3 min
Ramp up to high temp: 2-3 mins
High temp: +125°C±3°C for 15±3 min
Ramp down to low temp: 2-3 mins
Measure electrical performance after leaving 1~2 hours at room temperature.
- RoHS Terminations
- RoHS Reflow Temp 260°C max for 10s max

Compliance

- RoHS Status (2015/863/EU) Compliant
- REACH Status Compliant
- MSL Rating (JDEC-STD-033): Not Applicable

Packaging Details

- Pack Style: RL3K Tape & reel in accordance with EIA-481-D
Pack Size: 3,000
- *Alternative packing option available*

Sales Office Contact Details:

UK: +44 (0)1460 270200

USA: +1.760 668 8935

Email: info@iqdfrequencyproducts.comWeb: www.iqdfrequencyproducts.com