

**MATERIAL**

Glass-fibre reinforced polyamide based (PA) technopolymer, black colour, matte finish.

**STANDARD EXECUTIONS**

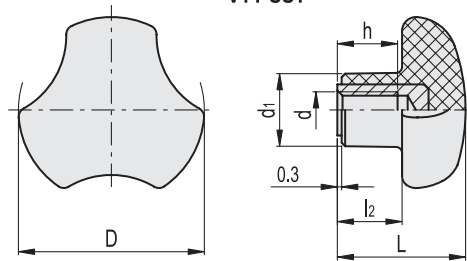
- **VTT-B**: brass boss, threaded blind hole.
- **VTT-SST**: AISI 304 stainless steel boss, threaded blind hole.
- **VTT-p**: zinc-plated steel threaded stud, chamfered flat end according to UNI 947 : ISO 4753 (see Technical data on page A-11).
- **VTT-SST-p**: AISI 304 stainless steel threaded stud, chamfered flat end according to UNI 947 : ISO 4753 (see Technical data on page A-11).

**FEATURES AND APPLICATIONS**

The three-lobe shape with large recesses is particularly ergonomic also for smaller knobs, ensuring an effective grip even with work gloves. The design without rear cavities, generally adopted for reducing thickness, prevents unhealthy residues from depositing, ensuring easy cleaning. Particularly suitable for applications on machines and equipment whose parts must be frequently cleaned by using water jets or steam.



**VTT-B**  
**VTT-SST**



ELESA Original design

Conversion Table	
1 mm = 0.039 inch	
D	
mm	inch
25	0.98
32	1.26
40	1.57
50	1.97
60	2.36

**VTT**

Code	Description	D	d6H	L	d1	l2	h	⚖
167105	VTT.25-B-M4	25	M4	20	12	10	10	10
167106	VTT.25-B-M5	25	M5	20	12	10	10	9
167107	VTT.25-B-M6	25	M6	20	12	10	10	8
167215	VTT.32-B-M5	32	M5	23	14	11.5	10	14
167216	VTT.32-B-M6	32	M6	23	14	11.5	10	19
167217	VTT.32-B-M8	32	M8	23	14	11.5	13	18
167335	VTT.40-B-M6	40	M6	27	16	13.5	12	25
167336	VTT.40-B-M8	40	M8	27	16	13.5	13	23
167465	VTT.50-B-M8	50	M8	30	19	15	15	33
167466	VTT.50-B-M10	50	M10	30	19	15	17	36
167501	VTT.60-B-M10	60	M10	34	22.5	18	20	40
167502	VTT.60-B-M12	60	M12	34	22.5	18	20	39

**METRIC**

**VTT-SST**

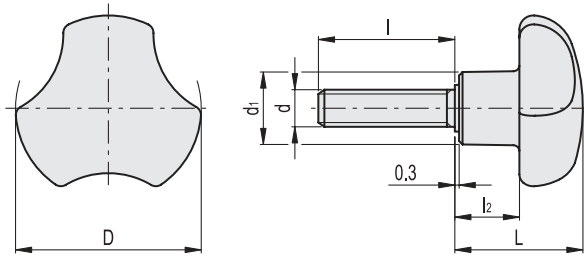
Code	Description	D	d6H	L	d1	l2	h	⚖
167115	VTT.25-SST-M4	25	M4	20	12	10	10	6
167116	VTT.25-SST-M5	25	M5	20	12	10	10	9
167117	VTT.25-SST-M6	25	M6	20	12	10	10	6
167225	VTT.32-SST-M5	32	M5	23	14	11.5	10	15
167226	VTT.32-SST-M6	32	M6	23	14	11.5	10	19
167227	VTT.32-SST-M8	32	M8	23	14	11.5	13	15
167345	VTT.40-SST-M6	40	M6	27	16	13.5	12	24
167346	VTT.40-SST-M8	40	M8	27	16	13.5	13	24
167475	VTT.50-SST-M8	50	M8	30	19	15	15	43
167476	VTT.50-SST-M10	50	M10	30	19	15	17	37
167511	VTT.60-SST-M10	60	M10	34	22.5	18	17	57
167512	VTT.60-SST-M12	60	M12	34	22.5	18	20	61

**INOX** STAINLESS STEEL

**METRIC**

Clamping elements

VTT-p  
VTT-SST-p



Conversion Table 1 mm = 0.039 inch	
D	
mm	inch
25	0.98
32	1.26
40	1.57

VTT-p

Code	Description	D	d6g	L	d1	l	l2	⚖
167131	VTT.25-p-M4x6	25	M4	20	12	6	10	6
167132	VTT.25-p-M4x10	25	M4	20	12	10	10	7
167151	VTT.25-p-M5x10	25	M5	20	12	10	10	8
167152	VTT.25-p-M5x16	25	M5	20	12	16	10	9
167153	VTT.25-p-M5x20	25	M5	20	12	20	10	9
167171	VTT.25-p-M6x10	25	M6	20	12	10	10	9
167172	VTT.25-p-M6x16	25	M6	20	12	16	10	11
167173	VTT.25-p-M6x20	25	M6	20	12	20	10	12
167174	VTT.25-p-M6x25	25	M6	20	12	25	10	14
167175	VTT.25-p-M6x30	25	M6	20	12	30	10	16
167176	VTT.25-p-M6x35	25	M6	20	12	35	10	18
167251	VTT.32-p-M6x10	32	M6	23	14	10	11.5	17
167252	VTT.32-p-M6x16	32	M6	23	14	16	11.5	15
167253	VTT.32-p-M6x20	32	M6	23	14	20	11.5	16
167255	VTT.32-p-M6x25	32	M6	23	14	25	11.5	17
167254	VTT.32-p-M6x30	32	M6	23	14	30	11.5	19
167257	VTT.32-p-M6x35	32	M6	23	14	35	11.5	21
167258	VTT.32-p-M6x40	32	M6	23	14	40	11.5	23
167259	VTT.32-p-M6x45	32	M6	23	14	45	11.5	25
167272	VTT.32-p-M8x16	32	M8	23	14	16	11.5	17
167273	VTT.32-p-M8x20	32	M8	23	14	20	11.5	18
167274	VTT.32-p-M8x25	32	M8	23	14	25	11.5	20
167275	VTT.32-p-M8x30	32	M8	23	14	30	11.5	22
167276	VTT.32-p-M8x35	32	M8	23	14	35	11.5	24
167351	VTT.40-p-M6x10	40	M6	27	16	10	13.5	20
167353	VTT.40-p-M6x16	40	M6	27	16	16	13.5	22
167355	VTT.40-p-M6x20	40	M6	27	16	20	13.5	24
167357	VTT.40-p-M6x25	40	M6	27	16	25	13.5	26
167359	VTT.40-p-M6x30	40	M6	27	16	30	13.5	28
167361	VTT.40-p-M6x40	40	M6	27	16	40	13.5	31
167370	VTT.40-p-M8x16	40	M8	27	16	16	13.5	29
167371	VTT.40-p-M8x20	40	M8	27	16	20	13.5	27
167372	VTT.40-p-M8x25	40	M8	27	16	25	13.5	29
167373	VTT.40-p-M8x30	40	M8	27	16	30	13.5	31
167374	VTT.40-p-M8x35	40	M8	27	16	35	13.5	33
167375	VTT.40-p-M8x40	40	M8	27	16	40	13.5	35
167377	VTT.40-p-M8x50	40	M8	27	16	50	13.5	39
167380	VTT.40-p-M8x55	40	M8	27	16	55	13.5	41
167378	VTT.40-p-M8x60	40	M8	27	16	60	13.5	43
167379	VTT.40-p-M8x70	40	M8	27	16	70	13.5	46

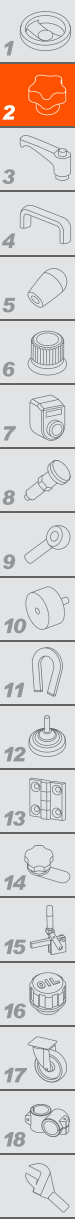
METRIC

VTT-SST-p

Code	Description	⚖
167141	VTT.25-SST-p-M4x6	8
167142	VTT.25-SST-p-M4x10	8
167161	VTT.25-SST-p-M5x10	8
167162	VTT.25-SST-p-M5x16	9
167163	VTT.25-SST-p-M5x20	9
167181	VTT.25-SST-p-M6x10	9
167182	VTT.25-SST-p-M6x16	9
167183	VTT.25-SST-p-M6x20	9
167184	VTT.25-SST-p-M6x25	9
167185	VTT.25-SST-p-M6x30	9
167186	VTT.25-SST-p-M6x35	9
167261	VTT.32-SST-p-M6x10	14
167262	VTT.32-SST-p-M6x16	15
167263	VTT.32-SST-p-M6x20	16
167265	VTT.32-SST-p-M6x25	17
167264	VTT.32-SST-p-M6x30	19
167267	VTT.32-SST-p-M6x35	17
167268	VTT.32-SST-p-M6x40	17
167269	VTT.32-SST-p-M6x45	20
167282	VTT.32-SST-p-M8x16	17
167283	VTT.32-SST-p-M8x20	17
167284	VTT.32-SST-p-M8x25	17
167285	VTT.32-SST-p-M8x30	17
167286	VTT.32-SST-p-M8x35	17
167360	VTT.40-SST-p-M6x10	29
167362	VTT.40-SST-p-M6x16	29
167363	VTT.40-SST-p-M6x20	29
167364	VTT.40-SST-p-M6x25	29
167365	VTT.40-SST-p-M6x30	29
167367	VTT.40-SST-p-M6x40	29
167376	VTT.40-SST-p-M8x16	29
167381	VTT.40-SST-p-M8x20	28
167382	VTT.40-SST-p-M8x25	30
167383	VTT.40-SST-p-M8x30	32
167384	VTT.40-SST-p-M8x35	29
167385	VTT.40-SST-p-M8x40	36
167387	VTT.40-SST-p-M8x50	29
167390	VTT.40-SST-p-M8x55	29
167388	VTT.40-SST-p-M8x60	36
167389	VTT.40-SST-p-M8x70	36

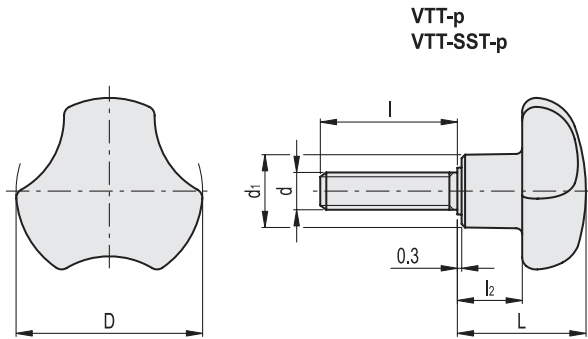
METRIC

INOX STAINLESS STEEL



Clamping elements

- 1
- 2
- 3
- 4
- 5
- 6
- 7
- 8
- 9
- 10
- 11
- 12
- 13
- 14
- 15
- 16
- 17
- 18



Conversion Table	
1 mm = 0.039 inch	
mm	inch
50	1.97
60	2.36

**METRIC**

**INOX** STAINLESS STEEL

**VTT-p**

**METRIC**

**VTT-SST-p**

Code	Description	D	d6g	L	d1	l	l2	⚖	Code	Description	⚖
167441	VTT.50-p-M8x16	50	M8	30	19	16	15	53	167421	VTT.50-SST-p-M8x16	53
167443	VTT.50-p-M8x20	50	M8	30	19	20	15	38	167423	VTT.50-SST-p-M8x20	53
167445	VTT.50-p-M8x25	50	M8	30	19	25	15	40	167425	VTT.50-SST-p-M8x25	53
167447	VTT.50-p-M8x30	50	M8	30	19	30	15	42	167427	VTT.50-SST-p-M8x30	53
167449	VTT.50-p-M8x40	50	M8	30	19	40	15	46	167429	VTT.50-SST-p-M8x40	53
167451	VTT.50-p-M8x45	50	M8	30	19	45	15	48	167431	VTT.50-SST-p-M8x45	53
167453	VTT.50-p-M8x50	50	M8	30	19	50	15	51	167433	VTT.50-SST-p-M8x50	53
167455	VTT.50-p-M8x60	50	M8	30	19	60	15	56	167435	VTT.50-SST-p-M8x60	53
167481	VTT.50-p-M10x20	50	M10	30	19	20	15	46	167491	VTT.50-SST-p-M10x20	47
167482	VTT.50-p-M10x25	50	M10	30	19	25	15	51	167492	VTT.50-SST-p-M10x25	52
167483	VTT.50-p-M10x30	50	M10	30	19	30	15	56	167493	VTT.50-SST-p-M10x30	57
167484	VTT.50-p-M10x35	50	M10	30	19	35	15	61	167495	VTT.50-SST-p-M10x40	67
167485	VTT.50-p-M10x40	50	M10	30	19	40	15	66	167496	VTT.50-SST-p-M10x45	72
167486	VTT.50-p-M10x45	50	M10	30	19	45	15	71	167497	VTT.50-SST-p-M10x50	72
167488	VTT.50-p-M10x55	50	M10	30	19	55	15	81	167498	VTT.50-SST-p-M10x55	82
167521	VTT.60-p-M10x20	60	M10	34	22.5	20	18	68	167561	VTT.60-SST-p-M10x20	68
167522	VTT.60-p-M10x25	60	M10	34	22.5	25	18	71	167562	VTT.60-SST-p-M10x25	91
167523	VTT.60-p-M10x30	60	M10	34	22.5	30	18	73	167563	VTT.60-SST-p-M10x30	73
167525	VTT.60-p-M10x40	60	M10	34	22.5	40	18	78	167565	VTT.60-SST-p-M10x40	78
167527	VTT.60-p-M10x50	60	M10	34	22.5	50	18	83	167567	VTT.60-SST-p-M10x50	83
167541	VTT.60-p-M12x20	60	M12	34	22.5	20	18	76	167581	VTT.60-SST-p-M12x20	73
167542	VTT.60-p-M12x25	60	M12	34	22.5	25	18	80	167582	VTT.60-SST-p-M12x25	91
167543	VTT.60-p-M12x30	60	M12	34	22.5	30	18	83	167583	VTT.60-SST-p-M12x30	93
167544	VTT.60-p-M12x35	60	M12	34	22.5	35	18	86	167584	VTT.60-SST-p-M12x35	106
167545	VTT.60-p-M12x40	60	M12	34	22.5	40	18	90	167585	VTT.60-SST-p-M12x40	97
167547	VTT.60-p-M12x50	60	M12	34	22.5	50	18	97	167587	VTT.60-SST-p-M12x50	100
167548	VTT.60-p-M12x60	60	M12	34	22.5	60	18	105	167588	VTT.60-SST-p-M12x60	110

Clamping elements