



PowerPC 750CX RISC Microprocessor Datasheet

Version 1.2

June 20, 2001

IBM Microelectronics Division



Notices

Before using this information and the product it supports, be sure to read the general information on the back cover of this document.

Trademarks

The following are trademarks of International Business Machines Corporation in the United States, or other countries, or both:

IBM
AIX

IBM Logo
PowerPC 750

PowerPC
RISCWatch

Other company, product, and service names may be trademarks or service marks of others.

This is a preliminary edition of *PowerPC 750CX RISC Microprocessor Datasheet*. Make sure you are using the correct edition for the level of the product.

This document contains information on a new product under development by IBM. IBM reserves the right to change or discontinue this product without notice.

© International Business Machines Corporation 2001.
Portions hereof ©International Business Machines Corporation, 1991-2001.
All rights reserved.

Table of Contents

1.0. Preface	7
1.1. Special Design Level Considerations/Features	7
2.0. Overview	8
2.1. PowerPC 750CX RISC Microprocessor Block Diagram	8
3.0. Features	9
4.0. General Parameters	11
5.0. Electrical and Thermal Characteristics	11
5.1. DC Electrical Characteristics.....	11
5.2. AC Electrical Characteristics.....	14
5.2.1. Clock AC Specifications	14
5.3. 60X Bus Input AC Specifications	16
5.4. 60X Bus Output AC Specifications.....	17
5.4.1. IEEE 1149.1 AC Timing Specifications	19
6.0. PowerPC 750CX Microprocessor Dimension and Physical Signal Assignments	22
7.0. System Design Information	29
7.1. PLL Configuration.....	29
7.2. PLL Power Supply Filtering.....	31
7.3. Decoupling Recommendations.....	31
7.4. Connection Recommendations	31
7.5. Output Buffer DC Impedance.....	32
7.5.1. Input-Output Usage	33
7.6. Thermal Management Information.....	36
7.7. Heat Sink Considerations	36
7.8. Internal Package Conduction Resistance.....	36
7.9. Operational and Design Considerations	38
7.9.1. Level Protection	38
7.9.2. 64 or 32-Bit Data Bus Mode	38
7.9.3. 1.8V and 2.5V I/O Signal Support	38
7.9.4. $\overline{DBW0}$ /L2_TSTCLK	39
7.9.5. PowerPC 750CX Revision Level Migration	39
8.0. Ordering Information	39
9.0. Processor Version Register (PVR)	40
10.0. Document History	41

List of Figures

Figure 1. PowerPC 750CX RISC Microprocessor Block Diagram	8
Figure 2. SYSCLK Input Timing Diagram	15
Figure 3. Input Timing Diagram	16
Figure 4. Mode Select Input Timing Diagram	17
Figure 5. Output Valid Timing Definition	18
Figure 6. Output Timing Diagram for PowerPC 750CX RISC Microprocessor	19
Figure 7. JTAG Clock Input Timing Diagram	20
Figure 8. $\overline{\text{TRST}}$ Timing Diagram	21
Figure 9. Boundary-Scan Timing Diagram	21
Figure 10. Test Access Port Timing Diagram	22
Figure 11. Pinout of the 256 PBGA Package as Viewed from Solder Ball side	23
Figure 12. Side Profile View of PBGA	24
Figure 13. Side Profile View Showing Exposed Cavity	24
Figure 14. PowerPC 750CX Microprocessor Ball Placement	25
Figure 15. PLL Power Supply Filter Circuit	31
Figure 16. Driver Impedance Measurement	32
Figure 17. IBM RISCWatch™ JTAG to $\overline{\text{HRESET}}$, $\overline{\text{TRST}}$, and $\overline{\text{SRESET}}$ Signal Connector	36
Figure 18. PBGA Package with Thermal Model	37
Figure 19. IBM Part Number Key	40

List of Tables

Table 1: Absolute Maximum Ratings	11
Table 2: Recommended Operating Conditions ¹	12
Table 3: Package Thermal Characteristics	12
Table 4: DC Electrical Specifications	13
Table 5: Power Consumption	14
Table 6: Clock AC Timing Specifications ^{1,6}	15
Table 7: 60X Bus Input Timing Specifications ^{1,6,8}	16
Table 8: 60X Bus Output AC Timing Specifications ^{1,4,6,7}	17
Table 9: JTAG AC Timing Specifications (Independent of SYSCLK)	20
Table 10: Signal Listing for the 256 PBGA Package	26
Table 11: Signals Removed from Previous PowerPC 750 Designs	27
Table 12: Signal Locations	28
Table 13: Voltage and Ground Assignments	29
Table 14: PowerPC 750CX Microprocessor PLL Configuration	30
Table 15: Driver Impedance Characteristics	32
Table 16: Input-Output Usage	34
Table 17: Summary of Design Migration	39
Table 18: Process Version Register (PVR)	40
Table 19: Document History	41



1.0 Preface

The PowerPC 750CX RISC Microprocessor is an implementation of the PowerPC™ family of reduced instruction set computer (RISC) microprocessors. This document contains pertinent physical characteristics of the PowerPC 750CX RISC Microprocessor Single Chip Modules (SCM) and covers the following topics.

- Overview on page 8
- Features on page 9
- General Parameters on page 11
- Electrical and Thermal Characteristics on page 11
 - DC Electrical Characteristics on page 11
 - AC Electrical Characteristics on page 14
- PowerPC 750CX Microprocessor Dimension and Physical Signal Assignments on page 22
- System Design Information on page 29
- Ordering Information on page 39
- Processor Version Register (PVR) on page 40

1.1 Special Design Level Considerations/Features

The PowerPC 750CX supports several unique features including those listed below. Section 7.9 “Operational and Design Considerations,” on page 38 provides a more detailed explanation of these.

- Provides a 64 or 32-bit Data Bus mode (per setup of \overline{QACK} pin).
- Supports 1.8V and 2.5V I/O signals.
- Uses a reduced pin list from earlier PowerPC 750 designs (see Table 11, “Signals Removed from Previous PowerPC 750 Designs” on page 27).
- Data Bus Write Only (\overline{DBWO}) shares a common pin with L2_TESTCLK.
- $\overline{CKSTP_OUT}$ shares a common pin with CLK_OUT.

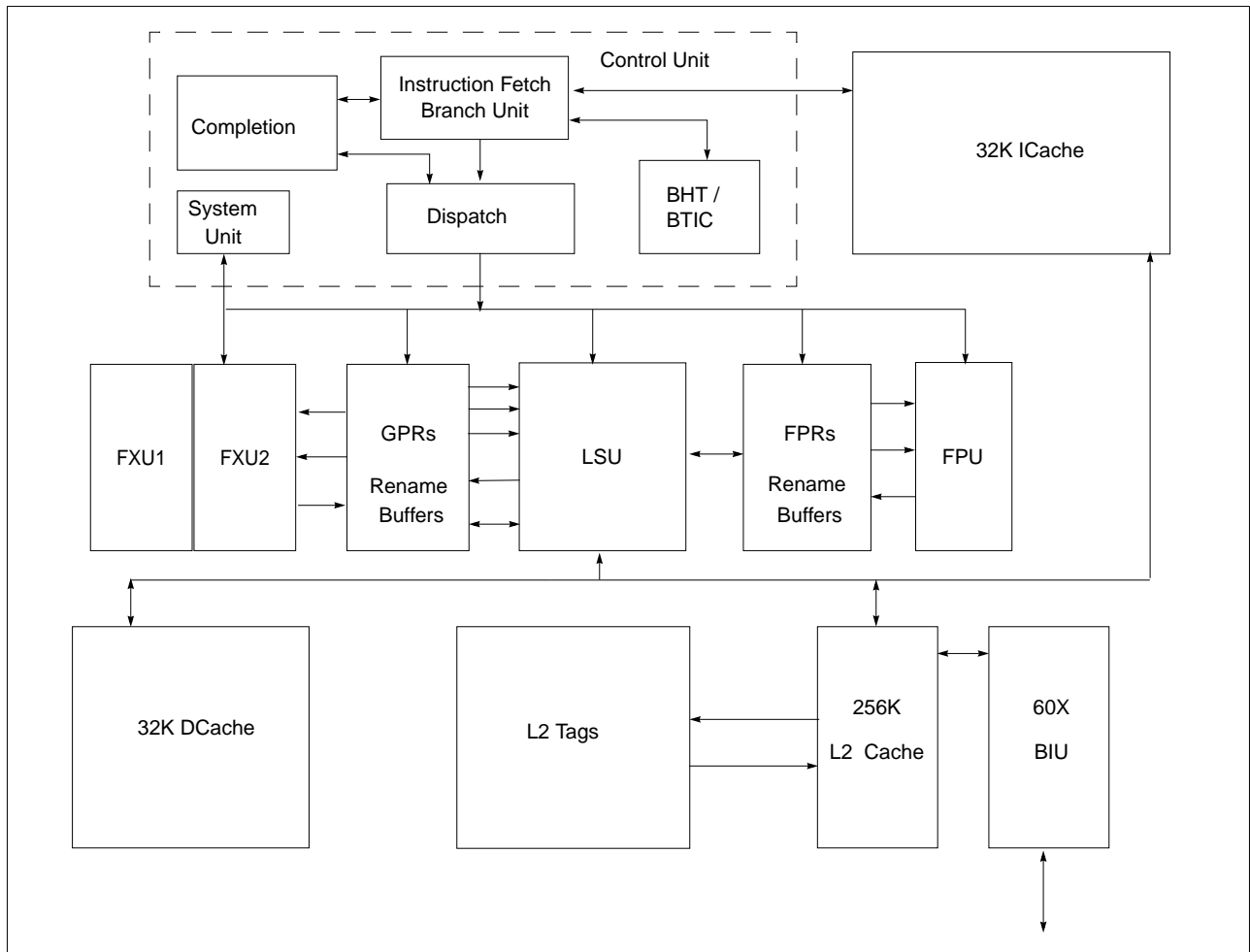
2.0 Overview

The PowerPC 750CX RISC Microprocessor is targeted for high performance, low power systems and a 60X bus. The PowerPC 750CX RISC Microprocessor also includes an internal (256KByte) L2 cache with on-board Error Correction Circuitry (ECC).

2.1 PowerPC 750CX RISC Microprocessor Block Diagram

Figure 1 shows a block diagram of the PowerPC 750CX RISC Microprocessor.

Figure 1. PowerPC 750CX RISC Microprocessor Block Diagram



3.0 Features

This section summarizes the features of the PowerPC 750CX's implementation of the PowerPC architecture. Major features of the PowerPC 750CX are as follows.

- Branch processing unit
 - Four instructions fetched per clock
 - One branch processed per cycle (plus resolving 2 speculations)
 - Up to 1 speculative stream in execution, 1 additional speculative stream in fetch
 - 512-entry branch history table (BHT) for dynamic prediction
 - 64-entry, 4-way set associative branch target instruction cache (BTIC) for eliminating branch delay slots
- Dispatch unit
 - Full hardware detection of dependencies (resolved in the execution units)
 - Dispatch two instructions to six independent units (system, branch, load/store, fixed-point unit 1, fixed-point unit 2, or floating-point)
 - 4-stage pipeline: fetch, dispatch, execute, and complete
 - Serialization control (predispatch, postdispatch, execution, serialization)
- Decode
 - Register file access
 - Forwarding control
 - Partial instruction decode
- Load/store unit
 - One cycle load or store cache access (byte, half-word, word, double-word)
 - Effective address generation
 - Hits under misses (one outstanding miss)
 - Single-cycle misaligned access within double word boundary
 - Alignment, zero padding, sign extend for integer register file
 - Floating-point internal format conversion (alignment, normalization)
 - Sequencing for load/store multiples and string operations
 - Store gathering
 - Cache and TLB instructions
 - Big and little-endian byte addressing supported
 - Misaligned little-endian support in hardware
- Fixed-point units
 - Fixed-point unit 1 (FXU1); multiply, divide, shift, rotate, arithmetic, logical
 - Fixed-point unit 2 (FXU2); shift, rotate, arithmetic, logical
 - Single-cycle arithmetic, shift, rotate, logical
 - Multiply and divide support (multi-cycle)
 - Early out multiply
 - Thirty-two, 32-bit general purpose registers
 - Secondary FXU executes integer add/compare instructions
- Floating-point unit
 - Support for IEEE-754 standard single and double-precision floating-point arithmetic
 - Optimized for single-precision multiply/add
 - Thirty-two, 64-bit floating point registers
 - Enhanced reciprocal estimates
 - 3-cycle latency, 1-cycle throughput, single-precision multiply-add
 - 3-cycle latency, 1-cycle throughput, double-precision add
 - 4-cycle latency, 2-cycle throughput, double-precision multiply-add

- Floating-point unit (continued)
 - Hardware support for divide
 - Hardware support for denormalized numbers
 - Time deterministic non-IEEE mode
- System unit
 - Executes CR logical instructions and miscellaneous system instructions
 - Special register transfer instructions
- L1 Cache structure
 - 32K, 32-byte line, 8-way set associative instruction cache
 - 32K, 32-byte line, 8-way set associative data cache
 - Single-cycle cache access
 - Pseudo-LRU replacement
 - Copy-back or write-through data cache (on a page per page basis)
 - 3-state (MEI) memory coherency
 - Hardware support for data coherency
 - Non-blocking instruction and data cache (one outstanding miss under hits)
 - No snooping of instruction cache
- Memory management unit
 - 128 entry, 2-way set associative instruction TLB
 - 128 entry, 2-way set associative data TLB
 - Hardware reload for TLB's
 - 4 instruction BATs and 4 data BATs
 - Virtual memory support for up to 4 exabytes (2^{52}) virtual memory
 - Real memory support for up to 4 gigabytes (2^{32}) of physical memory
 - Support for big/little-endian addressing
- Level 2 (L2) cache
 - Internal L2 cache controller and 4K-entry tags; 256K data SRAMs
 - Copy-back or write-through data cache on a page basis, or for all L2
 - 64-byte sectored line size
 - L2 frequency at core speed
 - On-board ECC
- Bus interface
 - Compatible with 60X processor interface (some pin functions removed, see Table 11, "Signals Removed from Previous PowerPC 750 Designs" on page 27)
 - 32-bit address bus
 - 64-bit data bus (or 32-bit mode)
 - Core-to-bus frequency multipliers of 2x, 2.5x, 3x, 3.5x, 4x, 4.5x, 5x, 5.5x, 6x, 6.5x, 7x, 7.5x, 8x, and 10x supported
- Power
 - under 4 watts typical @ 400MHz
- Testability
 - LSSD scan design
 - Powerful diagnostic and test interface through Common On-Chip Processor (COP) and IEEE 1149.1 (JTAG) interface

4.0 General Parameters

The following list provides a summary of the general parameters of the PowerPC 750CX.

Technology	0.18 μ m CMOS Copper technology, six-layer metallization
Die Size	42.7 sq. mm
Transistor count	20 million - including L2 cache
Logic design	Fully-static
Package	Surface mount 256-lead plastic ball grid array (PBGA) 27x27mm
Core power supply	1.8V +/- 5%
I/O power supply	1.8V +/- 5% 2.5V +/- 5%

5.0 Electrical and Thermal Characteristics

This section provides both AC and DC electrical specifications and thermal characteristics for the PowerPC 750CX.

5.1 DC Electrical Characteristics

The tables in this section describe the PowerPC 750CX RISC Microprocessor's DC electrical characteristics. Table 1 provides the absolute maximum ratings.

Table 1: Absolute Maximum Ratings

Characteristic	Symbol	Value (BVSEL = 0)	Value (BVSEL = 1)	Unit
Core supply voltage	V_{DD}	-0.3 to 2.0	-.03 to 2.00	V
PLL supply voltage	AV_{DD}	-0.3 to 2.0	-0.3 to 2.00	V
60X bus supply voltage	OV_{DD}	-0.3 to 2.0	-0.3 to 2.75	V
Input voltage	V_{IN}	-0.3 to 2.0	-0.3 to 2.75	V
Storage temperature range	T_{STG}	-55 to 150	-55 to 150	C

Note:

- Functional and tested operating conditions are given in Table 2, "Recommended Operating Conditions¹" on page 12. Absolute maximum ratings are stress ratings only, and functional operation at the maximums is not guaranteed. Stresses beyond those listed above may affect device reliability or cause permanent damage to the device.
- Caution: V_{IN} must not exceed OV_{DD} by more than 0.6V at any time, including during power-on reset.
- Caution: OV_{DD} must not exceed V_{DD}/AV_{DD} by more than 2.0V, except for up to 20ms during power on/off reset.
- Caution: V_{DD}/AV_{DD} must not exceed OV_{DD} by more than 1.2V, except for up to 20ms during power up/down.
- Caution: AV_{DD} must not exceed V_{DD} by more than 1.2V, except for up to 20ms during power up/down reset.

Table 2 provides the recommended operating conditions for the PowerPC 750CX.

Table 2: Recommended Operating Conditions¹

Characteristic	Symbol	Value	Unit
Core supply voltage	V_{DD}	1.70 to 1.90	V
PLL supply voltage	AV_{DD}	1.70 to 1.90	V
60X bus supply voltage (1.8V mode)	OV_{DD}	1.70 to 1.90	V
60X bus supply voltage (2.5V mode)	OV_{DD}	2.375 to 2.625	V
Input voltage	V_{IN}	GND to OV_{DD}	V
Die-junction temperature	T_J	0 to 105	C

Note: These are recommended and tested operating conditions. Proper device operation outside of these conditions is not guaranteed.
 1. See Figure 19, for applicaiton conditions

Table 3 provides the package thermal characteristics for the PowerPC 750CX.

Table 3: Package Thermal Characteristics

Characteristic	Symbol	Value	Unit
PBGA package thermal resistance, junction to ambient, thermal resistance, convection only *	θ_{JA}	15.9	C/W
PBGA package thermal resistance, junction-to-ambient thermal resistance, 100 linear ft. per minute*	θ_{JA}	13.9	C/W
PBGA package thermal resistance, junction-to-board thermal resistance	θ_{JB}	7.4	C/W
PBGA package thermal resistance, junction-to-case thermal resistance	θ_{JC}	0.7	C/W

Note: * Assumes that the package is soldered to a 2S2P board.

Table 4 provides DC electrical characteristics for the PowerPC 750CX.

Table 4: DC Electrical Specifications
See Table 2 on page 12 for recommended operating conditions.

Characteristic	Symbol	Voltage		Unit	Notes
		Min	Max		
Input high voltage (all inputs except SYSCLK)	$V_{IH(1.8V)}$	1.24	1.90	V	2,4
	$V_{IH(2.5V)}$	1.70	2.625	V	2
Input low voltage (all inputs except SYSCLK)	$V_{IL(1.8V)}$	GND	0.60	V	4
	$V_{IL(2.5V)}$	GND	0.70	V	
SYSCLK input high voltage	$CV_{IH(1.8V)}$	1.20	1.90	V	
	$CV_{IH(2.5V)}$	1.90	2.625	V	
SYSCLK input low voltage	$CV_{IL(1.8V)}$	GND	0.4	V	
Input leakage current, $V_{IN} = OV_{DD} = 2.5V$	I_{IN}	–	20	μA	3
Input leakage current, $V_{IN} = OV_{DD} = 1.8V$	I_{IN}	–	20	μA	3
Hi-Z (off state) leakage current, $V_{IN} = OV_{DD} = 2.5V$	I_{TSI}	–	20	μA	3
Hi-Z (off state) leakage current, $V_{IN} = OV_{DD} = 1.8V$	I_{TSI}	–	20	μA	3
Output high voltage, $I_{OH} = -4mA$	$V_{OH(1.8V)}$	1.30	–	V	
	$V_{OH(2.5V)}$	2.00	–	V	
Output low voltage, $I_{OL} = 4mA$	$V_{OL(1.8V, 2.5V)}$	–	0.4	V	
Capacitance, $V_{IN} = 0V$, $f = 1MHz$	C_{IN}	–	5.0	pF	1

Note:

1. Capacitance values are guaranteed by design and characterization, and are not tested.
2. Maximum input high voltage for short duration (not continuous operation).
3. Additional input current may be attributed to the Level Protection Keeper Lock circuitry. For details, see Section 7.9 on Page 38.
4. V_{IH} and V_{IL} minimum levels are set as a percentage of V_{DD} . V_{IH} is 65% and V_{IL} is 35% respectively.

Table 5 provides the power consumption for the PowerPC 750CX.

Table 5: Power Consumption

See Table 2 on page 12 for recommended operating conditions.

	Representative Processor Frequency				Unit	Notes
	366MHz	400MHz	466MHz	500MHz		
Full-On Mode						
Typical ($V_{DD} = 1.8V$) ($OV_{DD}=1.8$)(65C)	3.3	3.5	4.0	4.3	W	1,3,4,5
Maximum ($V_{DD} = 1.9V$) ($OV_{DD}=1.9$)(105C)	6.7	7.1	7.7	8.3	W	1,2,4,5
Typical ($V_{DD} = 1.8V$) ($OV_{DD}=2.5$)(65C)	3.3	3.5	4.0	4.3	W	1,3,4,5
Maximum ($V_{DD} = 1.9V$) ($OV_{DD}=2.62$)(105C)	6.7	7.1	7.7	8.3	W	1,2,4,5
Doze Mode						
Maximum ($V_{DD} = 1.9V$) ($OV_{DD}=1.9$)(105C)	3.7	4.0	4.5	4.6	W	1,2,4,5
Nap Mode						
Maximum ($V_{DD} = 1.9V$) ($OV_{DD}=1.9$)(105C)	1.5	1.5	1.6	1.7	W	1,2,4,5
Sleep Mode						
Maximum ($V_{DD} = 1.9V$) ($OV_{DD}=1.9$)(105C)	1.4	1.4	1.5	1.6	W	1,2,4,5
Note: 1. These values apply for all valid 60X buses. The values do not include I/O Supply Power (OV_{DD}) or PLL/DLL supply power (AV_{DD}). OV_{DD} power is system dependent, but is typically <10% of V_{DD} power. 2. Maximum power is measured at $V_{DD} = 1.90V$ and assumes worst case process parameters. 3. Typical power is an estimate of the average value measured at $V_{DD} = AV_{DD} = 1.8V$, $OV_{DD} = 1.80/2.5V$ in a system executing typical applications and benchmark sequences. 4. Full-on mode uses a worst case instruction mix. 5. Guaranteed by design and characterization, and is not tested.						

5.2 AC Electrical Characteristics

This section provides the AC electrical characteristics for the PowerPC 750CX. After fabrication, parts are sorted by maximum processor core frequency as shown in the Section 5.2.1 on Page 14, and tested for conformance to the AC specifications for that frequency. The processor core frequency is determined by the bus (SYSCLK) frequency and the settings of the PLL_CFG(0-3) signals.

5.2.1 Clock AC Specifications

Table 6 provides the clock AC timing specifications as defined in Figure 2.

Table 6: Clock AC Timing Specifications^{1,6}

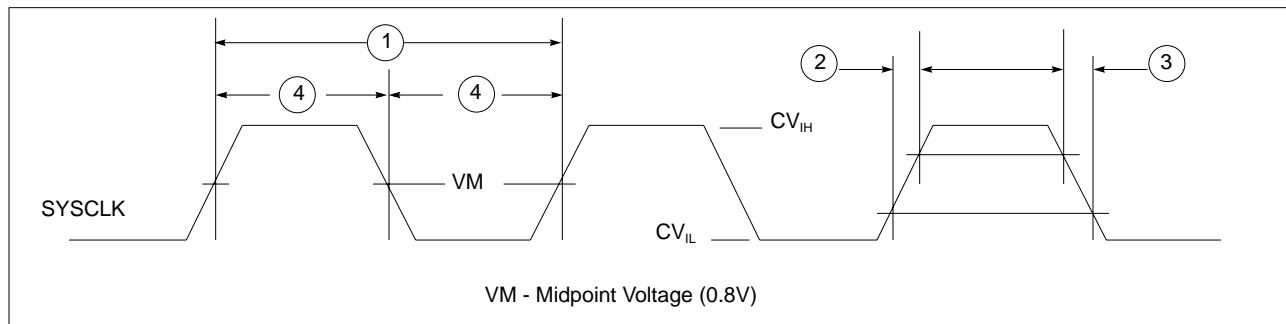
See Table 2 on page 12, for recommended operating conditions.

Num	Characteristic	Value		Unit	Notes
		Min	Max		
	Processor frequency	300	500	MHz	6
	SYSClk frequency	31	133	MHz	1
1	SYSClk cycle time	7.5	32	ns	
2,3	SYSClk rise and fall time (slew rate)	1.0	2.0	volt/ns	2,3
4	SYSClk duty cycle measured at 0.8V	25	75	%	3
	SYSClk jitter	–	±150	ps	4,3
	Internal PLL relock time	–	100	µs	5

Note:

1. Caution: The SYSClk frequency and the PLL_CFG[0-3] settings must be chosen such that the resulting SYSClk (bus) frequency, CPU (core) frequency, and PLL (VCO) frequency do not exceed their respective maximum or minimum operating frequencies. Refer to the PLL_CFG[0-3] signal description in Section "PLL Configuration," on page 28 for valid PLL_CFG[0-3] settings.
2. Rise and fall times for the SYSClk input are measured from 0.4 to 1.2V.
3. Timing is guaranteed by design and characterization, and is not tested.
4. The total input jitter (short term and long term combined) must be under ±150ps.
5. Relock timing is guaranteed by design and characterization, and is not tested. PLL-relock time is the maximum amount of time required for PLL lock after a stable V_{DD} and SYSClk are reached during the power-on reset sequence. This specification also applies when the PLL has been disabled and subsequently re-enabled during sleep mode. Also note that HRESET must be held asserted for a minimum of 255 bus clocks after the PLL-relock time during the power-on reset sequence.
6. For applications with processor frequencies below 300MHz, application conditions need to be investigated.

Figure 2. SYSClk Input Timing Diagram



5.3 60X Bus Input AC Specifications

Table 7 provides the 60X bus input AC timing specifications for the PowerPC 750CX as defined in Figure 3 and Figure 4.

Table 7: 60X Bus Input Timing Specifications^{1,6,8}

See Table 2 on page 12 for operating conditions.

Num	Characteristic	1.8V Mode		2.5V Mode		Unit	Notes
		Min	Max.	Min.	Max.		
10a	Address/Data/Transfer attribute inputs valid to SYSCLK (input setup)	1.4	—	1.4	—	ns	2
10b	All other inputs valid to SYSCLK (input setup)	1.4	—	1.4	—	ns	3
10c	Mode select input setup to $\overline{\text{HRESET}}$ ($\overline{\text{QACK}}$)	8	—	8	—	t_{sysclk}	4,5,7
10d	TS to SYSCLK (input setup)	1.6	—	1.6	—	—	—
10e	DBW0 to SYSCLK (input setup)	2.1	—	2.1	—	—	—
11a	SYSCLK to inputs invalid (input hold)	1.2	—	1.2	—	ns	2
11b	$\overline{\text{HRESET}}$ to mode select input hold ($\overline{\text{QACK}}$)	0	—	0	—	ns	4,7

Note:

1. Input specifications are measured from the midpoint voltage (0.9V) of the signal in question to the midpoint voltage of the rising edge of the input SYSCLK. Input and output timings are measured at the pin (see Figure 3).
2. Address/Data Transfer Attribute inputs are composed of all bidirectional and input signals except those listed in Note 3.
3. All other signal inputs are composed of the following: $\overline{\text{TA}}$, $\overline{\text{QACK}}$, and $\overline{\text{ARTRY}}$.
4. The setup and hold time is with respect to the rising edge of $\overline{\text{HRESET}}$ (see Figure 4 on page 17).
5. t_{sysclk} is the period of the external clock (SYSCLK) in nanoseconds (ns). The numbers given in the table must be multiplied by the period of SYSCLK to compute the actual time duration (in ns) of the parameter in question.
6. These values are guaranteed by design, and are not tested.
7. This specification is for configuration mode select only. Also note that the $\overline{\text{HRESET}}$ must be held asserted for a **minimum of 255 bus clocks** after the PLL relock time during the power-on reset sequence.
8. These timings are valid for processor frequencies up to 466MHz. 500MHz timing behavior and characterization is being evaluated at this time.

Figure 3 provides the input timing diagram for the PowerPC 750CX.

Figure 3. Input Timing Diagram

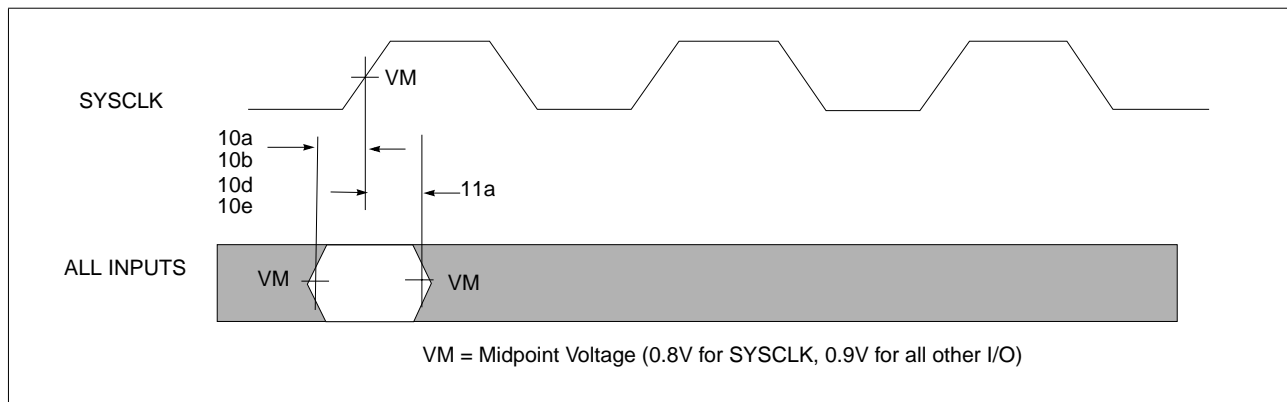
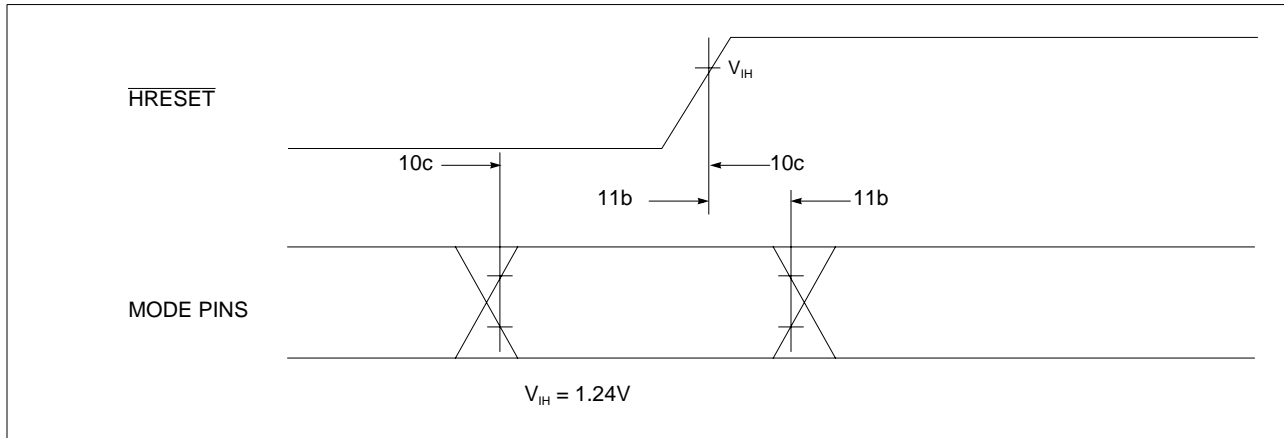


Figure 4 provides the mode select input timing diagram for the PowerPC 750CX.

Figure 4. Mode Select Input Timing Diagram



5.4 60X Bus Output AC Specifications

Table 8 provides the 60X bus output AC timing specifications for the PowerPC 750CX as defined in Figure 6 on page 19.

Table 8: 60X Bus Output AC Timing Specifications^{1,4,6,7}
See Table 2 on page 12 for operating conditions.

Num	Characteristic	1.8V Mode		2.5V Mode		Unit	Notes
		Min.	Max.	Min.	Max.		
12	SYSCLK to Output Driven (Output Enable Time)	0.3		0.3		ns	
13	SYSCLK to Output Valid	–	2.31	–	2.61	ns	
14	SYSCLK to Output Invalid (Output Hold)	0.400		0.400		ns	2
15	SYSCLK to Output High Impedance (all signals except $\overline{\text{ARTRY}}$)	–	2.5	–	2.5	ns	
16	SYSCLK to $\overline{\text{ARTRY}}$ high impedance before precharge	–	3.0	–	3.0	ns	
17	SYSCLK to $\overline{\text{ARTRY}}$ precharge enable	$0.2 * t_{\text{SYSCLK}} + 1.0$		$0.2 * t_{\text{SYSCLK}} + 1.0$		ns	2, 3, 5
18	Maximum delay to $\overline{\text{ARTRY}}$ precharge		1		1	t_{SYSCLK}	3, 5
19	SYSCLK to $\overline{\text{ARTRY}}$ high impedance after precharge		2		2	t_{SYSCLK}	3, 5

Note:

- All output specifications are measured from the midpoint voltage (0.8V) of the rising edge of SYSCLK to the midpoint voltage of the signal in question defined in figure 5. Both input and output timings are measured at the pin. Timings are determined by design.
- This minimum parameter assumes $CL = 0\text{pF}$.
- t_{SYSCLK} is the period of the external bus clock (SYSCLK) in nanoseconds (ns). The numbers given in the table must be multiplied by the period of SYSCLK to compute the actual time duration of the parameter in question.
- Output signal transitions are defined in figure 5.
- Nominal precharge width for $\overline{\text{ARTRY}}$ is $1.0 t_{\text{SYSCLK}}$.
- Guaranteed by design and characterization, and not tested.
- These timings are valid for processors up to 466MHz. 500MHz processor timing behavior and characterization are being evaluated at this time.

Figure 5. Output Valid Timing Definition

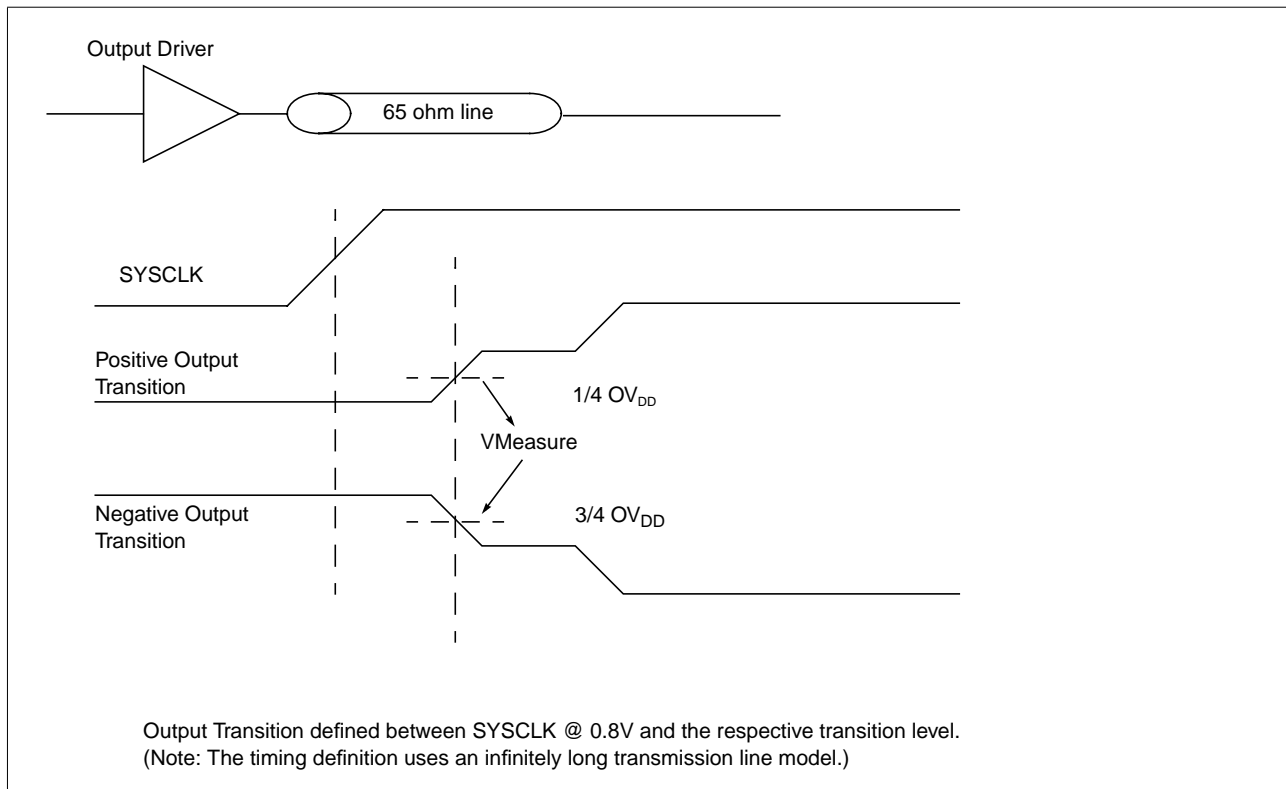
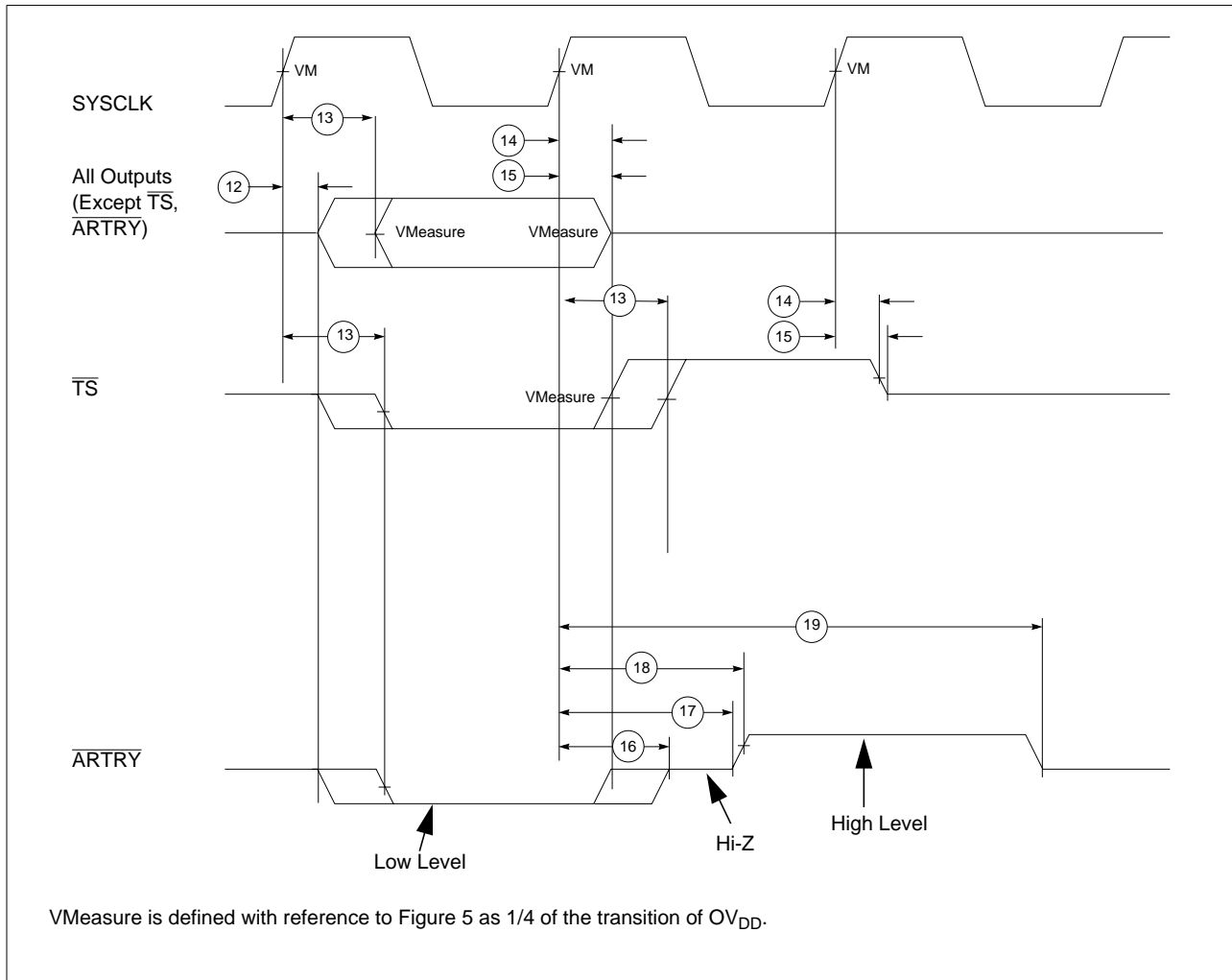


Figure 6. Output Timing Diagram for PowerPC 750CX RISC Microprocessor



5.4.1 IEEE 1149.1 AC Timing Specifications

Table 9 provides the IEEE 1149.1 (JTAG) AC timing specifications as defined in Figure 7, Figure 8, Figure 9, and Figure 10. The five JTAG signals are; TDI, TDO, TMS, TCK, and \overline{TRST} .

Table 9: JTAG AC Timing Specifications (Independent of SYSCLK)

See Table 2 on page 12 for operating conditions..

Num	Characteristic	Min	Max	Unit	Notes
	TCK frequency of operation	0	25	MHz	
1	TCK cycle time	40	—	ns	
2	TCK clock pulse width measured at 1.1V	15	—	ns	
3	TCK rise and fall times	0	2	ns	4
4	Specification obsolete, intentionally omitted				
5	$\overline{\text{TRST}}$ assert time	25	—	ns	1
6	Boundary-scan input data setup time	0	—	ns	2
7	Boundary-scan input data hold time	13	—	ns	2
8	TCK to output data valid	—	8	ns	3, 5
9	TCK to output high impedance	3	19	ns	3, 4
10	TMS, TDI data setup time	0	—	ns	
11	TMS, TDI data hold time	15	—	ns	
12	TCK to TDO data valid	2.5	12	ns	5
13	TCK to TDO high impedance	3	9	ns	4
14	TCK to output data invalid (output hold)	0	—	ns	

Note:

1. $\overline{\text{TRST}}$ is an asynchronous level sensitive signal. Guaranteed by design.
2. Non-JTAG signal input timing with respect to TCK.
3. Non-JTAG signal output timing with respect to TCK.
4. Guaranteed by characterization and not tested.
5. Minimum specification guaranteed by characterization and not tested.

Figure 7 provides the JTAG clock input timing diagram.

Figure 7. JTAG Clock Input Timing Diagram

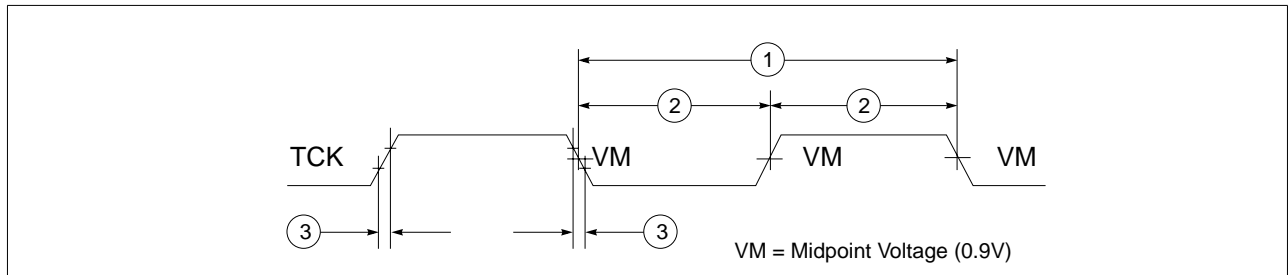


Figure 8 provides the $\overline{\text{TRST}}$ timing diagram.

Figure 8. $\overline{\text{TRST}}$ Timing Diagram

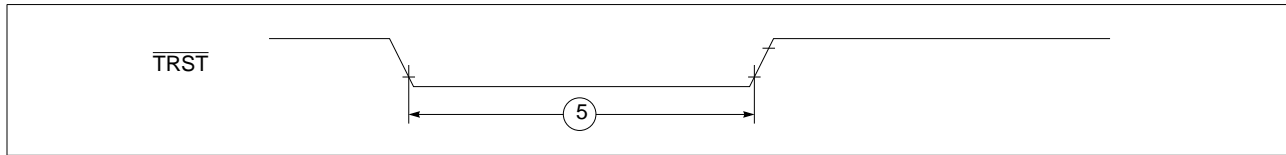


Figure 9 provides the boundary-scan timing diagram.

Figure 9. Boundary-Scan Timing Diagram

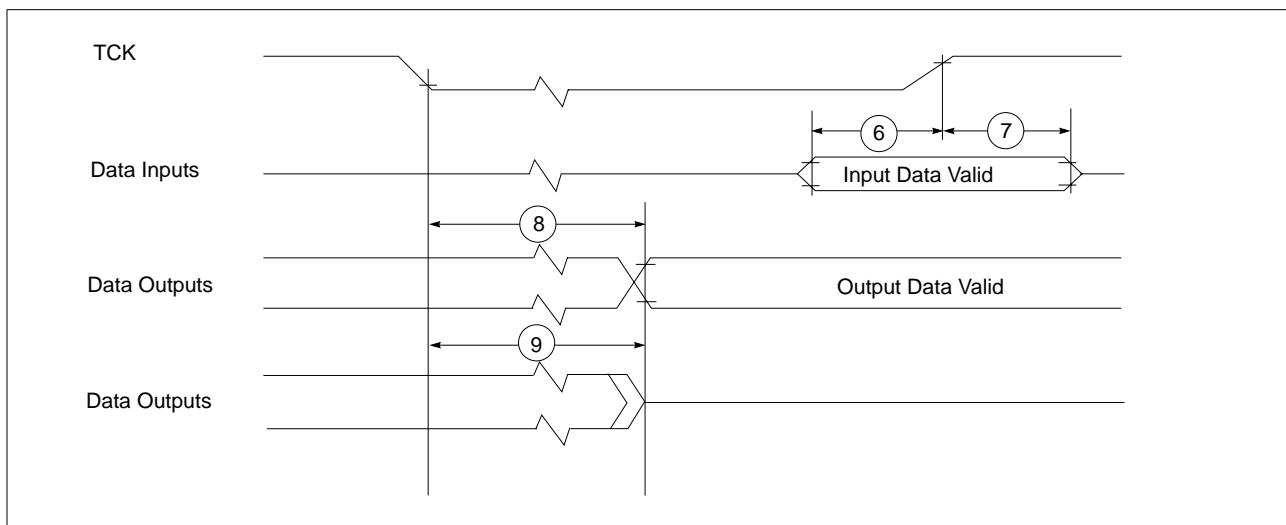
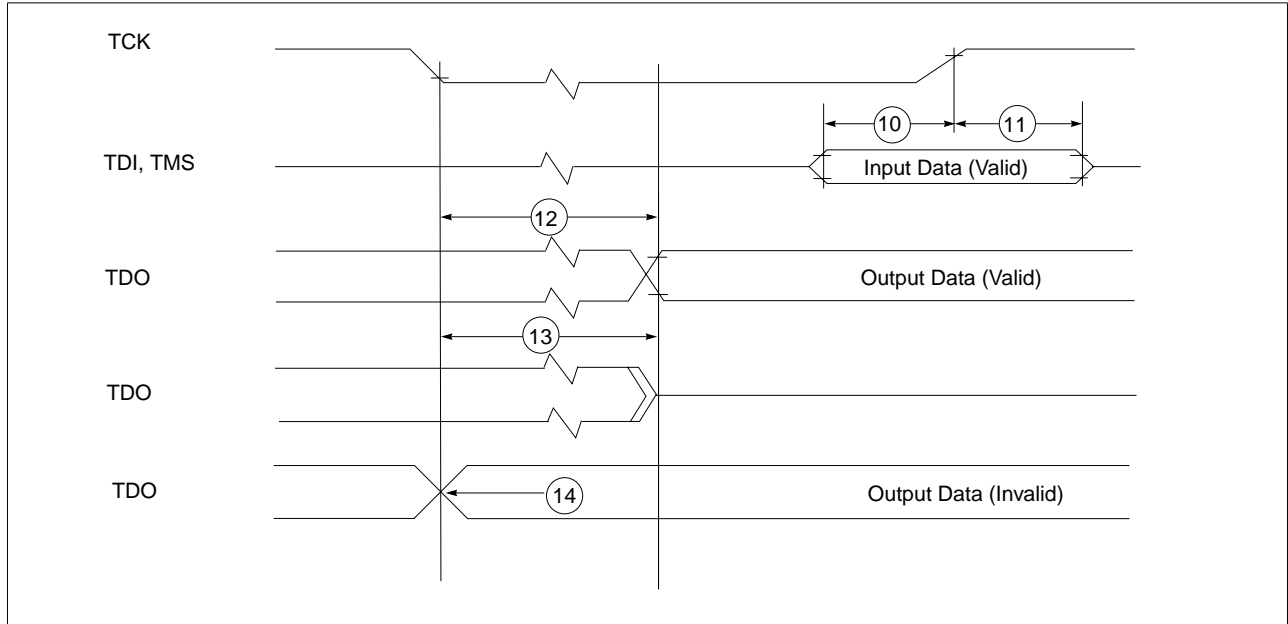


Figure 10 provides the test access port timing diagram.

Figure 10. Test Access Port Timing Diagram



6.0 PowerPC 750CX Microprocessor Dimension and Physical Signal Assignments

IBM offers a plastic ball grid array, PBGA, which supports 256 balls as the PowerPC 750CX package.

The following sections contain several views of the package, pin information, and a pin listing.

Figure 11 shows the pinout of the 256 PBGA package as viewed from the solder ball surface. Figure 12 shows the side profile of the 256 PBGA package including the height from the top of the copper heat spreader to the bottom of the solder balls. Figure 13 provides a more detailed side profile including the encapsulant (glob) referenced.

Figure 11. Pinout of the 256 PBGA Package as Viewed from Solder Ball side

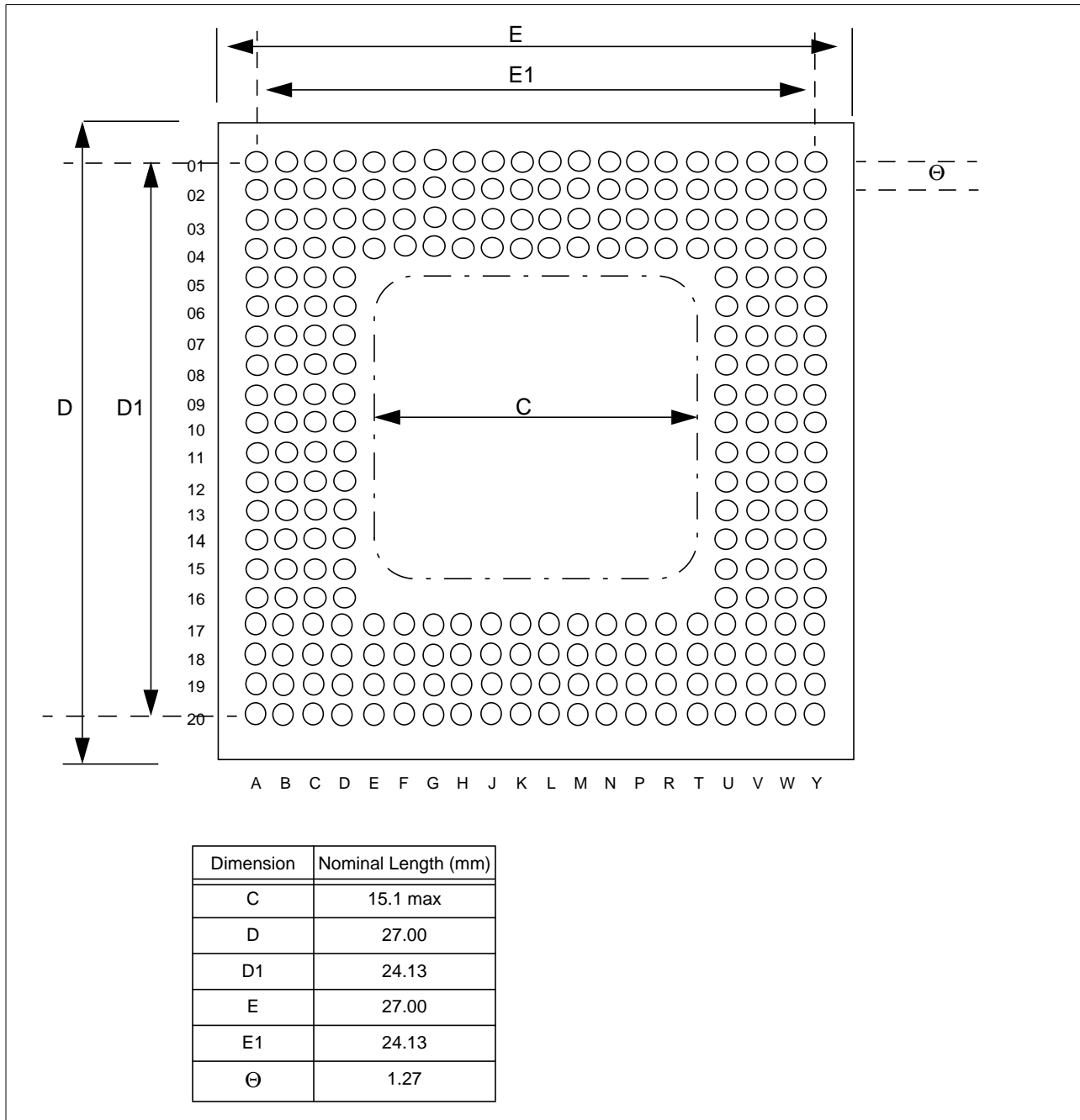


Figure 12. Side Profile View of PBGA

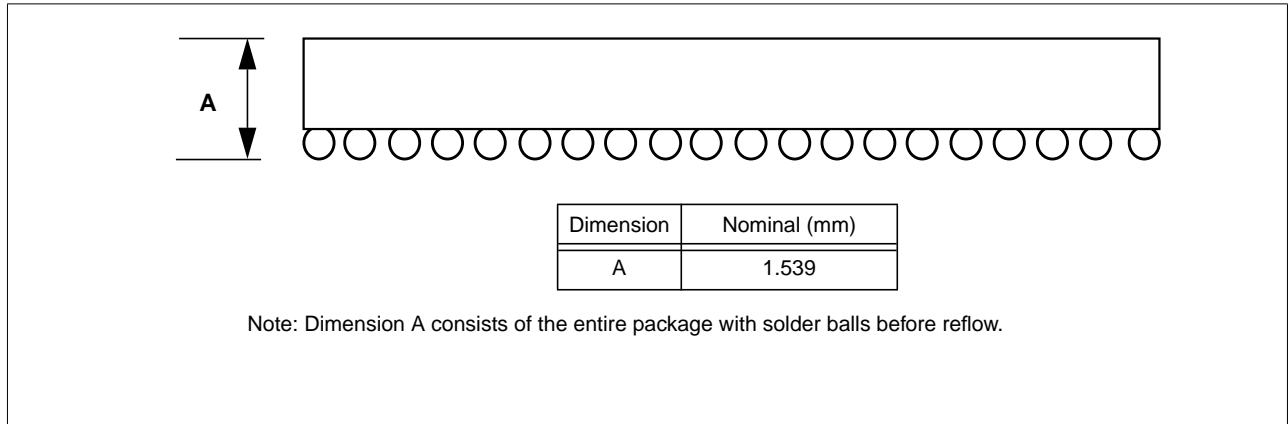
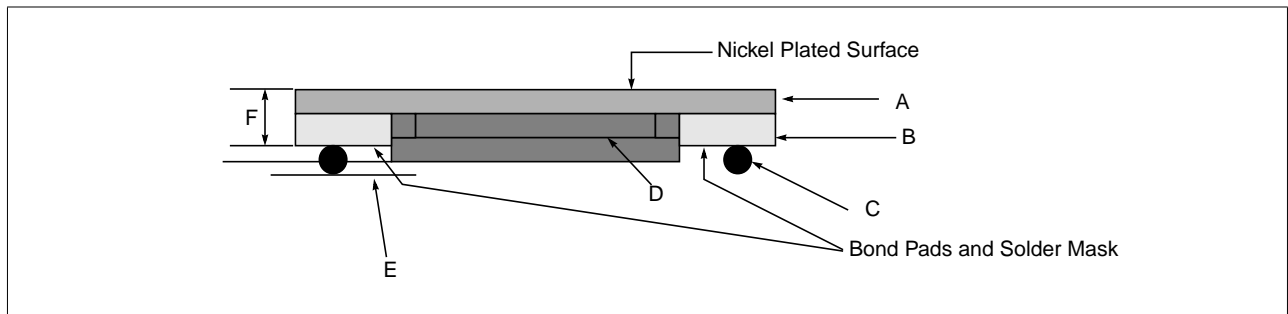


Figure 13. Side Profile View Showing Exposed Cavity



Item	Description	Length (mm)	Height (mm)
A	Cu Heat Spreader	27	.356
B	Laminate including plating	27	.585
C	Solder ball	N/A	.60
D	Chip Cavity	15.1 max	N/A
E	Minimum Glop to Solder Ball Height	N/A	.244
F	Cu Heat Spreader, Laminate, Bond Pads, and Plating	N/A	.955

Figure 14. PowerPC 750CX Microprocessor Ball Placement

	1	2	3	4	5	6	7	8	9	10	11	12	13	14	15	16	17	18	19	20
A	g	g	dh3	g	dh9	dh11	dh13	dh15	dh16	dh19	dh20	dh23	dh24	dh26	dh28	dh30	g	a4	g	g
B	g	g	vdd	dh4	dh6	dh8	dh12	g	dh18	g	g	dh21	g	dh27	dh31	a1	a3	vdd	g	g
C	dh2	vdd	g	vdd	ovdd	dh7	dh10	dh14	dh17	g	g	dh22	dh25	dh29	a0	ovdd	vdd	g	vdd	a5
D	ovdd	dh1	vdd	g	vdd	dh5	ovdd	vdd	ovdd	vdd	vdd	ovdd	vdd	ovdd	a2	vdd	g	vdd	a6	g
E	hreset	dh0	dbw0*	vdd													vdd	ovdd	a8	a11
F	pllcfg0	lssd_mode	mcp	l1_tstclk													a7	a9	a10	a13
G	pllcfg2	pllcfg1	sysclk	ovdd													ovdd	a12	a14	a15
H	bvsel	pllcfg3	avdd	vdd													vdd	tt_0	g	tt_1
J	g	int	ckstp_in	ovdd													ovdd	tt_3	ts	tt_2
K	sreset	qack	g	vdd													vdd	g	g	tt_4
L	qreq	g	g	vdd													vdd	g	g	tsiz0
M	dbg	tea	artry	ovdd													ovdd	tsiz2	tsiz1	ta
N	br	g	tdo	vdd													vdd	aack	g	tbst
P	bg	ckstp_out	tdi	ovdd													ovdd	a19	a17	a16
R	wt	gbl	tms	trst													a24	a22	a21	a18
T	dl31	ci	tck	vdd													vdd	ovdd	a23	a20
U	ovdd	dl30	vdd	g	vdd	dl26	ovdd	vdd	ovdd	vdd	vdd	ovdd	vdd	ovdd	a29	vdd	g	vdd	a25	g
V	dl29	vdd	g	vdd	ovdd	dl24	dl21	dl17	dl14	g	g	dl9	dl6	dl2	a31	ovdd	vdd	g	vdd	a26
W	g	g	vdd	dl27	dl25	dl23	dl19	g	dl13	g	g	dl10	g	dl4	dl0	a30	a28	vdd	g	g
Y	g	g	dl28	g	dl22	dl20	dl18	dl16	dl15	dl12	dl11	dl8	dl7	dl5	dl3	dl1	g	a27	g	g

(Above view is looking down from above the PowerPC 750CX placed and soldered on the system board.)

** DBW0 multiplexed with L2_TSTCLK function, see Section 7.9.4 on Page 39 for details.

Table 10: Signal Listing for the 256 PBGA Package

Signal Name	Pin Count	Active	I/O	Notes
A0-A31	32	High	I/O	
AACK	1	Low	Input	
ARTRY	1	Low	I/O	
BG	1	Low	Input	
BR	1	Low	Output	
C \bar{I}	1	Low	Output	
CKSTP_IN	1	Low	Input	
CKSTP_OUT ²	1	Low	Output	
DBG	1	Low	Input	
DH0-DH31	32	High	I/O	
DL0-DL31	32	High	I/O	
G $\bar{B}L$	1	Low	I/O	
HRESET	1	Low	Input	
I $\bar{N}T$	1	Low	Input	
L1_TSTCLK ¹	1	High	Input	
DBW \bar{O} /L2_TSTCLK ^{1,2,3}	1	High	Input	
LSSD_MODE ¹	1	Low	Input	
MCP	1	Low	Input	
PLL_CFG[0-3]	4	High	Input	
QACK ²	1	Low	Input	OPTIONAL: 64/ 32-Bit Data Bus mode select. This function will be set when HRESET transitions (low to high). QACK: low = 64-bit mode, high = 32-bit mode.
QREQ	1	Low	Output	
SRESET	1	Low	Input	
SYSCLK	1	—	Input	
TA	1	Low	Input	
TB $\bar{S}T$	1	Low	I/O	
TCK	1	High	Input	
TDI	1	High	Input	
TDO	1	High	Output	
TEA	1	Low	Input	
TMS	1	High	Input	
TR $\bar{S}T$	1	Low	Input	

Note:

1. These are test signals for factory use only and must be pulled up to OV_{DD} for normal machine operation.
2. The CKSTP_OUT signal in test mode allows viewing the PowerPC 750CX RISC Microprocessor internal clocks. The QACK signal allows selection of 32-bit mode. (See the *PowerPC 750CX RISC Microprocessor User's Manual* for more information.)
3. L2-TSTCLK in normal mode is DBW \bar{O} , for details, see Section 7.9.4 on Page 39.

Table 10: Signal Listing for the 256 PBGA Package (cont.)

Signal Name	Pin Count	Active	I/O	Notes
TS	1	Low	I/O	
TSIZ0-TSIZ2	3	High	Output	
TT0-TT4	5	High	I/O	
\overline{WT}	1	Low	Output	
BVSEL	1	High	Input	Pin set LOW = 1.8V , pin set HIGH = 2.5V (this is supported for DD2.X)
AV _{DD}	1			Supply for PLL
OV _{DD}	24			Supply for Receiver/Drivers
V _{DD}	40			Supply for Core
Ground	53			Common Ground

Note:

1. These are test signals for factory use only and must be pulled up to OV_{DD} for normal machine operation.
2. The CKSTP_OUT signal in test mode allows viewing the PowerPC 750CX RISC Microprocessor internal clocks.
The QACK signal allows selection of 32-bit mode. (See the *PowerPC 750CX RISC Microprocessor User's Manual* for more information.)
3. L2-TSTCLK in normal mode is \overline{DBWO} , for details, see Section 7.9.4 on Page 39.

Table 11: Signals Removed from Previous PowerPC 750 Designs

Signal Name	Pin Count	Active	I/O	Notes
ABB	1	Low	I/O	
DBB	1	Low	I/O	
DBDIS	1	Low	Input	
RSRV	1	Low	Output	
SMI	1	Low	Input	
TBEN	1	High	Input	
VOLTDET	1	High	Output	
AP0-3	4	High	I/O	
DP0-7	8	High	I/O	
DRTRY	1	Low	Input	
TLBISYNC	1	Low	Input	



Table 12: Signal Locations

Signal	Ball Location	Signal	Ball Location	Signal	Ball Location	Signal	Ball Location
A0	C15	DH0	E2	DL0	W15	AACK	N18
A1	B16	DH1	D2	DL1	Y16	ARTRY	M3
A2	D15	DH2	C1	DL2	V14	BG	P1
A3	B17	DH3	A3	DL3	Y15	BR	N1
A4	A18	DH4	B4	DL4	W14	BVSEL	H1
A5	C20	DH5	D6	DL5	Y14	CI	T2
A6	D19	DH6	B5	DL6	V13	CKSTP_IN	J3
A7	F17	DH7	C6	DL7	Y13	CKSTP_OUT	P2
A8	E19	DH8	B6	DL8	Y12	DBG	M1
A9	F18	DH9	A5	DL9	V12	GBL	R2
A10	F19	DH10	C7	DL10	W12	HRESET	E1
A11	E20	DH11	A6	DL11	Y11	INT	J2
A12	G18	DH12	B7	DL12	Y10	L1_TSTCLK	F4
A13	F20	DH13	A7	DL13	W9	DBWO/L2_TSTCLK ¹	E3
A14	G19	DH14	C8	DL14	V9	LSSD_MODE	F2
A15	G20	DH15	A8	DL15	Y9	MCP	F3
A16	P20	DH16	A9	DL16	Y8	PLL_CFG0	F1
A17	P19	DH17	C9	DL17	V8	PLL_CFG1	G2
A18	R20	DH18	B9	DL18	Y7	PLL_CFG2	G1
A19	P18	DH19	A10	DL19	W7	PLL_CFG3	H2
A20	T20	DH20	A11	DL20	Y6	QACK (Also used for 64/32-bit DB select.)	K2
A21	R19	DH21	B12	DL21	V7	QREQ	L1
A22	R18	DH22	C12	DL22	Y5	SRESET	K1
A23	T19	DH23	A12	DL23	W6	SYSCLK	G3
A24	R17	DH24	A13	DL24	V6	TA	M20
A25	U19	DH25	C13	DL25	W5	TBST	N20
A26	V20	DH26	A14	DL26	U6	TCK	T3
A27	Y18	DH27	B14	DL27	W4	TDI	P3
A28	W17	DH28	A15	DL28	Y3	TDO	N3
A29	U15	DH29	C14	DL29	V1	TEA	M2
A30	W16	DH30	A16	DL30	U2	TMS	R3
A31	V15	DH31	B15	DL31	T1	TRST	R4
						TS	J19
						TSIZ0	L20
						TSIZ1	M19
						TSIZ2	M18
						TT0	H18
						TT1	H20
						TT2	J20
						TT3	J18
						TT4	K20
						WT	R1

1. See Section 7.9.4 on Page 39 for a detailed discussion.

Table 13: Voltage and Ground Assignments

AV _{DD}	OV _{DD}	V _{DD}	V _{DD}	GND	GND
H3	M4	B3	L4	A1	L3
	M17	B18	L17	A2	L18
	P4	C2	N4	A4	L19
	P17	C4	N17	A17	N2
	T18	C17	T4	A19	N19
	U1	C19	T17	A20	U4
	U7	D3	U3	B1	U17
	U9	D5	U5	B2	U20
	U12	D8	U8	B8	V3
	U14	D10	U10	B10	V10
	V5	D11	U11	B11	V11
	V16	D13	U13	B13	V18
	C5	D16	U16	B19	W1
	C16	D18	U18	B20	W2
	D1	E4	V2	C3	W8
	D7	E17	V4	C10	W10
	D9	H4	V17	C11	W11
	D12	H17	V19	C18	W13
	D14	K4	W3	D4	W19
	E18	K17	W18	D17	W20
	G4			D20	Y1
	G17			H19	Y2
	J4			J1	Y4
	J17			K3	Y17
				K18	Y19
				K19	Y20
				L2	

7.0 System Design Information

This section provides electrical and thermal design recommendations for successful application of the PowerPC 750CX.

7.1 PLL Configuration

The PowerPC 750CX PLL is configured by the PLL_CFG[0-3] signals. For a given SYSCLK (bus) frequency, the PLL configuration signals set the internal CPU and VCO frequency of operation. The PLL configuration for the PowerPC 750CX is shown in the following table for nominal frequencies.

Table 14: PowerPC 750CX Microprocessor PLL Configuration

PLL_CFG (0:3)		Processor to Bus Frequency Ratio (r)	Frequency Range Supported by VCO having an example range of $VCO_{MIN} = 500$ to $VCO_{MAX} = 1GHz^6$					
			SYSCLK		Core			
bin	dec		Min	Max	Min	Max		
0000	0	2.5x	120	133 ⁵	300	333		
0001	1	7.5x	40	67	300	500 ⁶		
0010	2	7x	43	71				
0011	3	PLL Bypass ³	N/A	N/A	N/A	N/A		
0100	4	2x	Note 1	Note 1	Note 1	Note 1		
0101	5	6.5x	46	77	300	500 ⁶		
0110	6	10x	31 ²	50	310	500 ⁶		
0111	7	4.5x	66	111	300	500 ⁶		
1000	8	3x	100	133 ⁵				
1001	9	5.5x	55	109				
1010	10	4x	75	150				
1011	11	5x	40	120				
1100	12	8x	37	75				
1101	13	6x	50	100				
1110	14	3.5x	85	172				
1111	15	Off ⁴	N/A	N/A			Off	Off

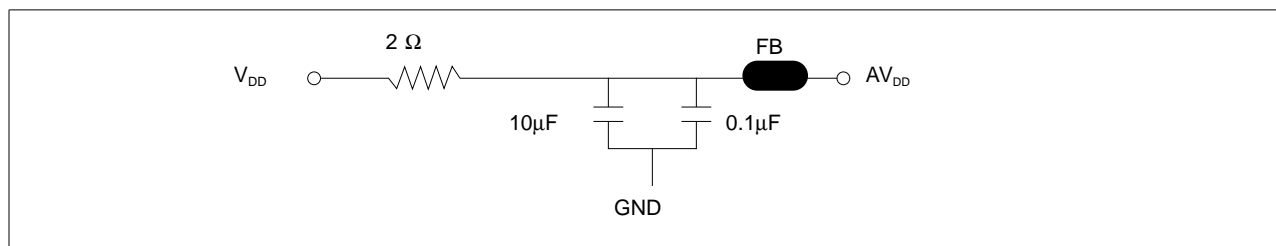
Note:

1. The 2X Processor to Bus Ratio is currently not supported.
2. SYSCLK min is limited by the lowest frequency that manufacturing will support, see section "Clock AC Specifications" on page 14 for valid SYSCLK and VCO frequencies.
3. In PLL-bypass mode, the SYSCLK input signal clocks the internal processor directly, the PLL is disabled, and the bus mode is set for 1:1 mode operation. This mode is intended for factory use only. **Note:** The AC timing specifications given in the document do not apply in PLL-bypass mode.
4. In Clock - off mode, no clocking occurs inside the PowerPC 750CX regardless of the SYSCLK input.
5. The SYSCLK limit is 133MHz, as specified in Table 6 on page 15. Applications requiring SYSCLK over 133MHz will be investigated by application conditions.
6. VCO_{MAX} is specified in this table by the maximum core processor speed. The VCO maximum of 1GHz reflects a processor core speed of 500MHz.

7.2 PLL Power Supply Filtering

The AV_{DD} power signal is provided on the PowerPC 750CX to provide power to the clock generation phase-locked loop. To ensure stability of the internal clock, the power supplied to the AV_{DD} input signal should be filtered using a circuit similar to the one shown in Figure 15. The circuit should be placed as close as possible to the AV_{DD} pin to ensure it filters out as much noise as possible. The referenced ferrite bead, FB, shown in Figure 14 should supply an impedance of approximately 30 ohms in the 100 MHz region.

Figure 15. PLL Power Supply Filter Circuit



7.3 Decoupling Recommendations

Due to the PowerPC 750CX's feature large address and data buses, and high operating frequencies, the PowerPC 750CX can generate transient power surges and high frequency noise in its power supply, especially while driving large capacitive loads. This noise must be prevented from reaching other components in the PowerPC 750CX system, and the PowerPC 750CX itself requires a clean, tightly regulated source of power.

Therefore, it is strongly recommended that the system designer place at least one decoupling capacitor with a low ESR (effective series resistance) rating at each V_{DD} and OV_{DD} pin of the PowerPC 750CX. It is also recommended that these decoupling capacitors receive their power from separate V_{DD} , OV_{DD} , and GND power planes in the PCB, utilizing short traces to minimize inductance.

These capacitors should range in value from 220pF to 10uF to provide both high and low-frequency filtering, and should be placed as close as possible to their associated V_{DD} or OV_{DD} pins. Suggested values for the V_{DD} pins: 220pF (ceramic X7R), 0.01uF(ceramic X7R), and 0.1uF(ceramic X7R). Suggested values for the OV_{DD} pins: 0.01uF(ceramic X7R), 0.1uF(ceramic X7R), and 10uF (tantalum). Only SMT (surface-mount technology) capacitors should be used to minimize lead inductance.

In addition, it is recommended that there be several bulk storage capacitors distributed around the PCB, feeding the V_{DD} and OV_{DD} planes, to enable quick recharging of the smaller chip capacitors. These bulk capacitors should have a low ESR (equivalent series resistance) rating to ensure the quick response time necessary. They should also be connected to the power and ground planes through two vias to minimize inductance.

Suggested bulk capacitors: 100uF(AVX TPS tantalum) or 330uF(AVX TPS tantalum).

7.4 Connection Recommendations

To ensure reliable operation, it is highly recommended to connect unused inputs to an appropriate signal level. Unused active low inputs should be tied to OV_{DD} . Unused active high inputs should be connected to GND. All NC (no-connect) signals must remain unconnected.

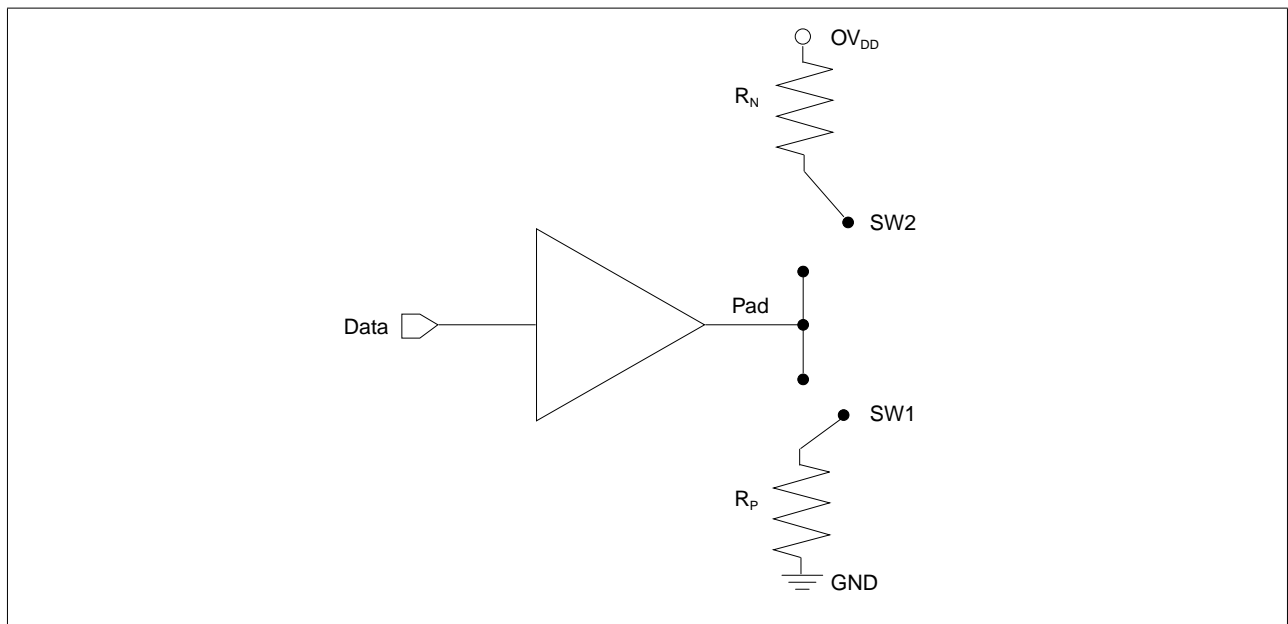
Power and ground connections must be made to all external V_{DD} , OV_{DD} , and GND pins of the PowerPC 750CX.

7.5 Output Buffer DC Impedance

The PowerPC 750CX 60X drivers were characterized over various process, voltage, and temperature conditions. To measure Z_0 , an external resistor is connected to the chip pad, either to OV_{DD} or GND. Then the value of the resistor is varied until the pad voltage is $OV_{DD}/2$; see Figure 16 below.

The output impedance is actually the average of two resistances: the resistance of the pull-up and the resistance of pull-down devices. When Data is held low, SW1 is closed (SW2 is open), and R_N is trimmed until $\text{Pad} = OV_{DD}/2$. R_N then becomes the resistance of the pull-down devices. When Data is held high, SW2 is closed (SW1 is open), and R_p is trimmed until $\text{Pad} = OV_{DD}/2$. R_p then becomes the resistance of the pull-up devices. With a properly designed driver R_p and R_N are close to each other in value, then $Z_0 = (R_p + R_N)/2$.

Figure 16. Driver Impedance Measurement



The following table summarizes the impedance a board designer would design to for a typical process.

Table 15: Driver Impedance Characteristics

Process	60X Impedance (Ω)	V_{DD} , OV_{DD} (V)	Temperature (C)
Worst	65	1.70	105
Typical	50	1.8	65
Best	40	1.90	0
Worst	65	2.38	105
Typical	50	2.5	65
Best	40	2.62	0

7.5.1 Input-Output Usage

Table 16 provides details on the input-output usage of the PowerPC 750CX RISC Microprocessor signals. The column titled “Usage Group” refers to the general functional category of the signal.

In the PowerPC 750CX RISC Microprocessor, certain input-output signals have pullups and pulldowns, which may or may not be enabled. The column titled “I/O with Internal Resistors” defines which signals have these pullups or pulldowns, and their active or inactive state.

The column titled “Level Protect” defines which signals have the designated function added to their I/O cell. Refer to Section 7.9.1 “Level Protection,” on page 38 for more information.

Table 16: Input-Output Usage

PowerPC 750CX Signal Name	Active Level	Input/Output	Usage Group	I/O with Internal Resistors	Level Protect	Required External Resistor	Comments
A0-31	N/A	BIDI	Address Bus		Keeper		See Note 1
$\overline{\text{AACK}}$	Low	IN	Address Termination		Keeper		Has to be actively driven
$\overline{\text{ARTRY}}$	Low	BIDI	Address Termination		Keeper	Resistor by design	Needs pullup DD2.0 also
$\overline{\text{BG}}$	Low	IN	Address Arbitration		Keeper		Active driver or pulldown
$\overline{\text{BR}}$	Low	OUT	Address Arbitration		Keeper		Chip actively drives
BVSEL	N/A	IN	I/O Level		Keeper	5K DD1.0, 2.0, 2.1, 2.2	Sel high or low as design
$\overline{\text{CI}}$	Low	OUT	Transfer Attributes		Keeper		See Note 1
$\overline{\text{CKSTP_IN}}$	Low	IN	Interrupt/Resets		Keeper		Has to be actively driven
$\overline{\text{CKSTP_OUT}}$	Low	OUT	Interrupt/Resets		Keeper		No requirement
$\overline{\text{DBG}}$	Low	IN	Data Arbitration		Keeper		Active driver or tie low
DH0-31	N/A	BIDI	Data Bus		Keeper		See Note 1
DL0-31	N/A	BIDI	Data Bus		Keeper		See Note 1
GBL	Low	BIDI	Transfer Attributes		Keeper		See Note 1
$\overline{\text{HRESET}}$	Low	IN	Interrupt/Resets		Keeper		Active driver and see Note 2.
$\overline{\text{INT}}$	Low	IN	Interrupt/Resets		Keeper		Active driver or pullup
L1_TSTCLK	N/A	IN	LSSD	Not enabled		5K DD1.0, 2.0, 2.1, 2.2	Pullup required
L2_TSTCLK/ $\overline{\text{DBWO}}$	Low	IN	LSSD	Not enabled		5K DD1.0, 2.0, 2.1, 2.2	Pullup required
$\overline{\text{LSSD_MODE}}$	Low	IN	LSSD	Not enabled		5K DD1.0, 2.0, 2.1, 2.2	Pullup required
MCP	Low	IN	Interrupt/Resets		Keeper		Active driver or pullup
PLL_CFG (0-3)	N/A	IN	Clock Control		Keeper	As required	Pullup/pulldown, as required
$\overline{\text{QACK}}$	Low	IN	Status/Control		Keeper		Has to be actively driven
$\overline{\text{QREQ}}$	Low	OUT	Status/Control		Keeper		Chip actively drives
$\overline{\text{SRESET}}$	Low	IN	Interrupt/Resets		Keeper		Active driver or pullup, see Note 2.

Note:

1. Depends on the system design
2. HRESET, SRESET, and TRST are signals used for ESP and RISCWatch to enable proper operation of the debuggers. Logical AND gates should be placed between these signals and PowerPC 750CX RISC Microprocessor. (Refer to Figure 17 on page 36.)

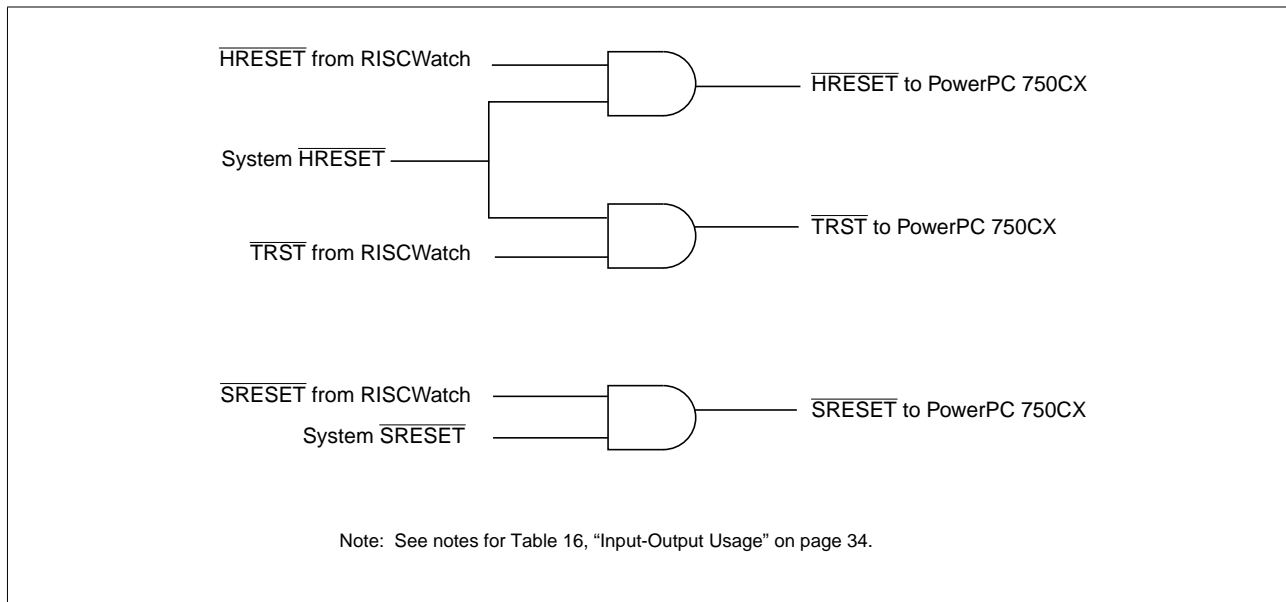
Table 16: Input-Output Usage (cont.)

PowerPC 750CX Signal Name	Active Level	Input/ Output	Usage Group	I/O with Internal Resistors	Level Protect	Required External Resistor	Comments
SYSCLK	Low	IN	Clock Control		Keeper	No resistor by design	Active driver
\overline{TA}	Low	IN	Data Termination		Keeper		Active driver
\overline{TBST}	Low	BIDI	Transfer Attributes		Keeper		See Note 1
TCK	High	IN	JTAG	Not enabled		Ext. pulldown	
TDI	High	IN	JTAG	Enabled high	Internal-Enabled		50 μ a@2.5V, 25 μ a@1.8V is the pullup current for the internal resistor.
TDO	High	OUT	JTAG		Keeper		
\overline{TEA}	Low	IN	Data Termination		Keeper		Active driver or pullup
TMS	High	IN	JTAG	Enabled high	Internal-Enabled		50 μ a@2.5V, 25 μ a@1.8V is the pullup current for the internal resistor.
\overline{TRST}	Low	IN	JTAG	Enabled high	Internal-Enabled		See Note 2 50 μ a@2.5V, 25 μ a@1.8V is the pullup current for the internal resistor.
\overline{TS}	Low	BIDI	Address Start		Keeper	5K DD1.0, 2.0, 2.1, 2.2	Pullup required
TSIZ0_TSIZ2	N/A	OUT	Transfer Attributes		Keeper		See Note 1
TT0-4	N/A	IN	Transfer Attributes		Keeper		See Note 1
\overline{WT}	Low	OUT	Transfer Attributes		Keeper		See Note 1

Note:

1. Depends on the system design
2. \overline{HRESET} , \overline{SRESET} , and \overline{TRST} are signals used for ESP and RISCWatch to enable proper operation of the debuggers. Logical AND gates should be placed between these signals and PowerPC 750CX RISC Microprocessor. (Refer to Figure 17 on page 36.)

Figure 17. IBM RISCWatch™ JTAG to $\overline{\text{HRESET}}$, $\overline{\text{TRST}}$, and $\overline{\text{SRESET}}$ Signal Connector



7.6 Thermal Management Information

This section provides thermal management information for the PBGA package for air cooled applications. Proper thermal control design is primarily dependent upon the system-level design and air flow.

7.7 Heat Sink Considerations

The PowerPC 750CX RISC Microprocessor package will support a maximum normal load of 2.2 kilograms. This load includes the heat sink and any forces used to position or fasten the heat sink.

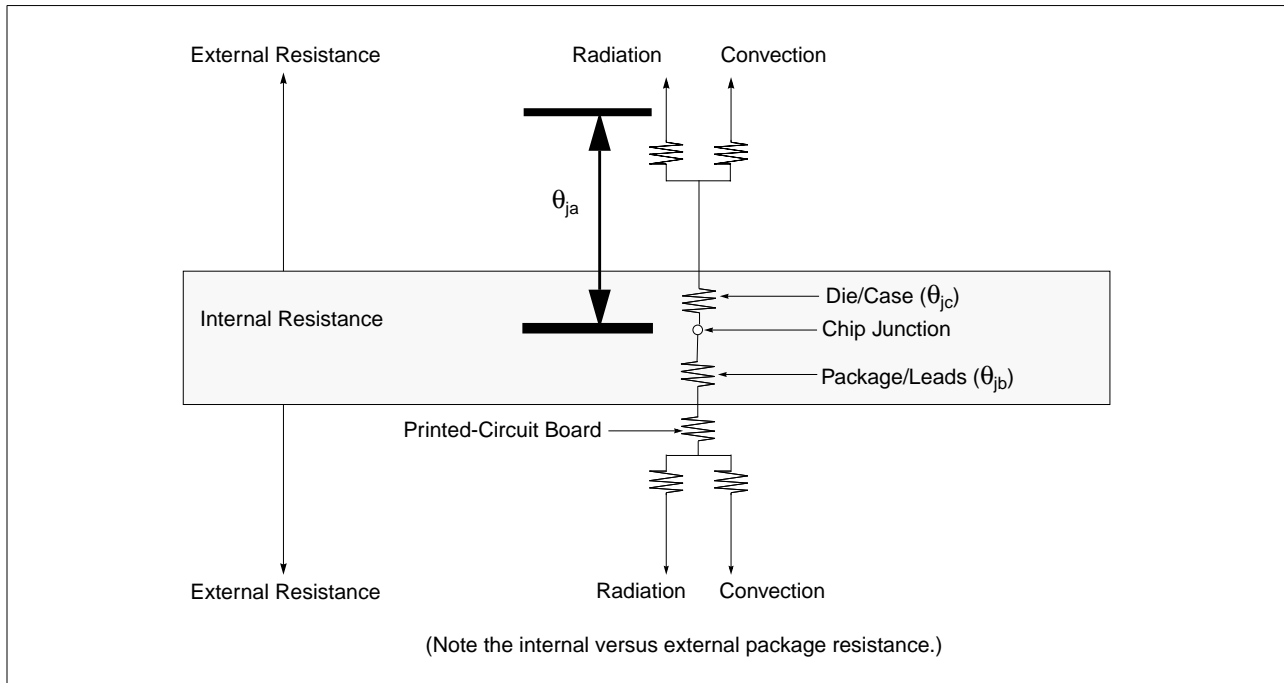
7.8 Internal Package Conduction Resistance

For the PBGA, described in Table 3 on page 12, the primary intrinsic conduction thermal resistance paths are as follows.

- Die junction-to-case thermal resistance
- Die junction-to-lead thermal resistance
- Die junction-to-ambient thermal resistance

Figure 18 depicts the primary heat transfer path for this package.

Figure 18. PBGA Package with Thermal Model



7.9 Operational and Design Considerations

7.9.1 Level Protection

A level protection feature is included in the PowerPC 750CX RISC Microprocessor in releases DD2.0 and later. The level protection feature is available only in the 1.8V bus mode. This feature prevents ambiguous floating reference voltages by pulling the respective signal line to the last valid or nearest valid state.

For example, if the I/O voltage level is closer to OV_{DD} , the circuit pulls the I/O level to OV_{DD} ; if the I/O level is closer to GND, the I/O level is pulled low. This self-latching circuitry “keeps” the floating inputs defined and avoids meta-stability. In Table 16, these signals are defined as “keeper” in the “Level Protect” column.

The level protect circuitry provides no additional leakage current to the signal I/O; however, some amount of current must be applied to the “keeper” node to overcome the level protection latch. This current is process dependent, but in no case is the current required over 100 μ A.

This feature allows the system designer to limit the number of resistors in the design and optimize placement and reduce costs.

7.9.2 64 or 32-Bit Data Bus Mode

Typical operation is considered to be in 64-bit Data Bus mode. Mode setting is determined by the state of the mode signal (\overline{QACK}) at the transition of \overline{HRESET} from its active to inactive state (low to high). If \overline{QACK} is **low** when \overline{HRESET} transitions from active to inactive, 64-bit mode is selected. If \overline{QACK} is **high** when \overline{HRESET} transitions from active to inactive, 32-bit mode is selected.

7.9.3 1.8V and 2.5V I/O Signal Support

Selection between 1.8V and 2.5V I/O is accomplished using the BVSEL pin. If BVSEL is set low then the 1.8V mode is enabled. If BVSEL is set high, then the 2.5V mode is enabled. Due to bus timings restrictions, only uniprocessor implementations are recommended. No multiprocessor support is advised.

7.9.4 $\overline{DBWO}/L2_TSTCLK$

One pin has two functions: \overline{DBWO} and L2_TSTCLK dependent upon the $\overline{LSSD_MODE}$ pin. When the $\overline{LSSD_MODE}$ pin is low, the $\overline{DBWO}/L2_TSTCLK$ pin is set to L2_TSTCLK function which is used during the manufacturing process for testing.

When the $\overline{LSSD_MODE}$ pin is pulled to the high state, the $\overline{DBWO}/L2_TSTCLK$ pin is set to \overline{DBWO} which is identical to those descriptions given in earlier versions of the PowerPC 750CX RISC Microprocessor's User's Manuals.

7.9.5 PowerPC 750CX Revision Level Migration

The following table summarizes the design changes for the respective PowerPC 750CX design revision levels.

Table 17: Summary of Design Migration

	DD1.0	DD2.0	DD2.1	DD2.2
PVR	0x00080100	0x00080100	0x00082201	0x00082202
L1 Data Bus Width	64-Bits	256-Bits	256-Bits	256-Bits
DPM	Enabled	Disabled	Disabled	Disabled
Test Pin	$\overline{CHKSTP_OUT}$ removed	CLKOUT/ $\overline{CHKSTP_OUT}$ share a pin	CLKOUT/ $\overline{CHKSTP_OUT}$ share a pin	CLKOUT/ $\overline{CHKSTP_OUT}$ share a pin
32-Bit Mode	Not available	Available	Available	Available
Floating Bus	Pull-ups required	No pull-ups	No pull-ups	No pull-ups
\overline{DBWO} Pin	Absent	Absent	Present	Present

8.0 Ordering Information

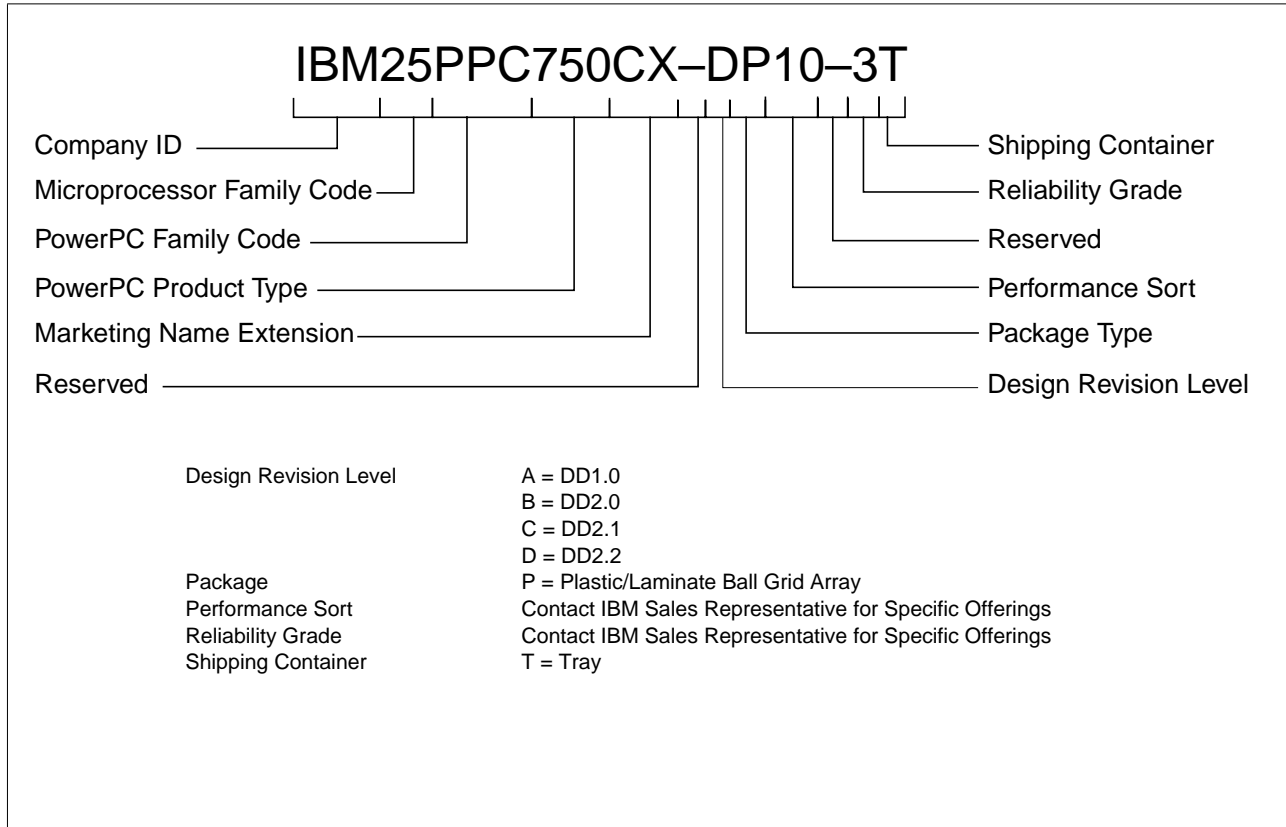
This section provides the part numbering nomenclature for the PowerPC 750CX. Note that the individual part numbers correspond to a maximum processor core frequency. For available frequencies, contact your local IBM sales office.

In addition to the processor frequency and bus ratio, the part numbering scheme also consists of a part modifier. The part modifier allows for the availability of future enhanced parts (i.e., lower voltage, lower power, higher performance, etc.).

Each part number also contains a revision code. This refers to the die mask revision number and is specified in the part numbering scheme for identification purposes only.

Figure 19 provides the IBM part numbering nomenclature for the PowerPC 750CX.

Figure 19. IBM Part Number Key



9.0 Processor Version Register (PVR)

The PowerPC 750CX RISC Microprocessor has the following PVR values for the respective design revision levels.

Table 18: Process Version Register (PVR)

Design Revision Level	PVR
DD1.0	00080100
DD2.0	00080100
DD2.1	00082201
DD2.2	00082202

10.0 Document History

Table 19: Document History

Date	Version	Page	Description
3/31/00	1.0		Initial Release.
4/6/00			First Revision.
4/10/00			Added Table 13.
4/25/00			Added Note 5, Table 1.
11/13/00	1.1	9	Minor edits to Features section.
		13	Updated Table 4, "DC Electrical Specifications," on page 13 (Output High Voltage)
		14	Updated Table 5, "Power Consumption" (Full-on Mode values).
		17	Figure 4, "Mode Select Input Timing Diagram," V_{IH} changed to 1.24V. Edited corresponding Table 8, note #1.
		21	Edited table note #1 in Table 8, "TRST Timing Diagram".
		22	Heading title changed (Section 6.0 on Page 22) and updated mechanical drawing dimensions.
		23	Updated Figure 11, "Pinout of the 256 PBGA Package as Viewed from Solder Ball side."
		24	Updated Figure 12, "Side Profile View of PBGA."
		24	Updated Figure 13, "Side Profile View Showing Exposed Cavity."
		25	Corrections to Figure 14, "PowerPC 750CX Microprocessor Ball Placement."
		34	Updated Table 16, "Input-Output Usage" to include DD2.2.
		35	Changed QREG to QREQ.
		38	Edited Section 7.9.1, "Level Protection," on page 38 (redundant with Section 7.5.1, "Input-Output Usage," on page 33).
		39	Edited Section 7.9.4, "DBWO/L2_TSTCLK".
		39	Added Section 7.9.5, "PowerPC 750CX Revision Level Migration".
		40	Updated Figure 19, "IBM Part Number Key."
6/20/01	1.2	1	Version Update.
		8	250K L2 cache line around removed.
		12	Note added 1.
		14	Table updated. 433MHz column removed.
		27	Removed note from Table 11.
		29	Called out AVDD in Table 13.
		30	Table 14 updated for 500MHz max.
		38	Added a bus timing note in section 7.9.3.
		40	Updated part number decoder. Specifics removed, to be put in supplement.
		44	Blank removed.



© International Business Machines Corporation 2000

Printed in the United States of America

June 20, 2001

All Rights Reserved

The information contained in this document is subject to change without notice. The products described in this document are NOT intended for use in implantation or other life support applications where malfunction may result in injury or death to persons. The information contained in this document does not affect or change IBM's product specifications or warranties. Nothing in this document shall operate as an express or implied license or indemnity under the intellectual property rights of IBM or third parties. All information contained in this document was obtained in specific environments, and is presented as illustration. The results obtained in other operating environments may vary.

While the information contained herein is believed to be accurate, such information is preliminary, and should not be relied upon for accuracy or completeness, and no representations or warranties of accuracy or completeness are made.

THE INFORMATION CONTAINED IN THIS DOCUMENT IS PROVIDED ON AN "AS IS" BASIS. In no event will IBM be liable for any damages arising directly or indirectly from any use of the information contained in this document.

IBM Microelectronics Division
1580 Route 52, Bldg. 504
Hopewell Junction, NY
12533-6531

The IBM home page can be found at <http://www.ibm.com>

The IBM Microelectronics Division home page can be found at <http://www.chips.ibm.com>

