

4

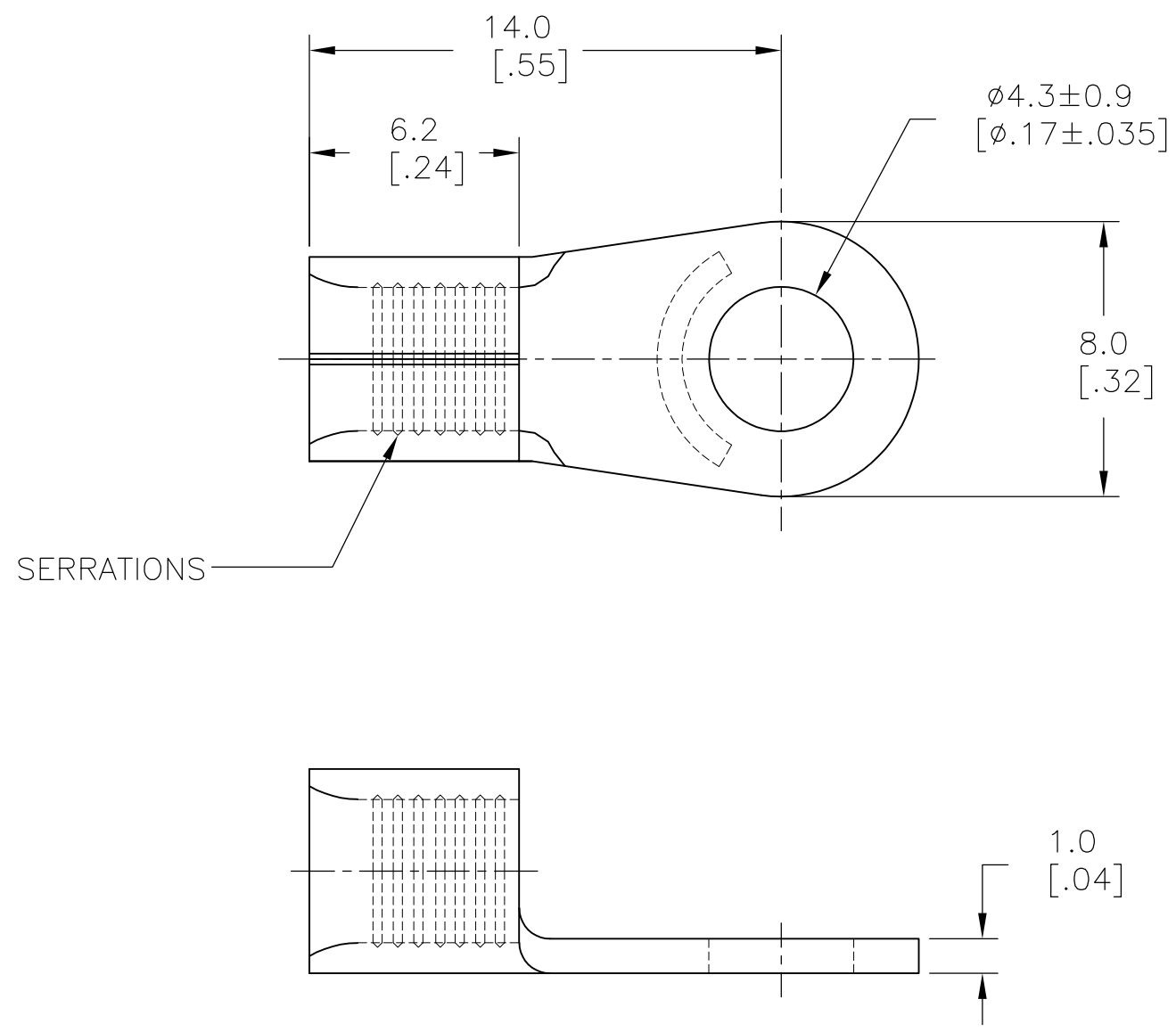
3

2

1

THIS DRAWING IS UNPUBLISHED. RELEASED FOR PUBLICATION
 © COPYRIGHT - By - ALL RIGHTS RESERVED.

LOC	DIST	REVISIONS					
		P	LTR	DESCRIPTION	DATE	DWN	APVD
H	86		D1	REVISED PER ECO-13-006585	19APR13	KH	DR



165301-0
 PART NO

THIS DRAWING IS A CONTROLLED DOCUMENT.		DWN jr_ruth	12MAY04	TE Connectivity RING TONGUE SOLISTRAND WIRE SIZE: 4-6mm ²							
DIMENSIONS: mm [INCHES]		CHK T MICHELUTTI	12MAY04					NAME			
		TOLERANCES UNLESS OTHERWISE SPECIFIED:		PRODUCT SPEC		RESTRICTED TO					
MATERIAL COPPER		FINISH TIN PLATED		APPLICATION SPEC		SIZE A3	CAGE CODE 00779	DRAWING NO C-165301	SCALE 5:1	SHEET 1 OF 1	REV D1
CUSTOMER DRAWING				WEIGHT -		RESTRICTED TO -					