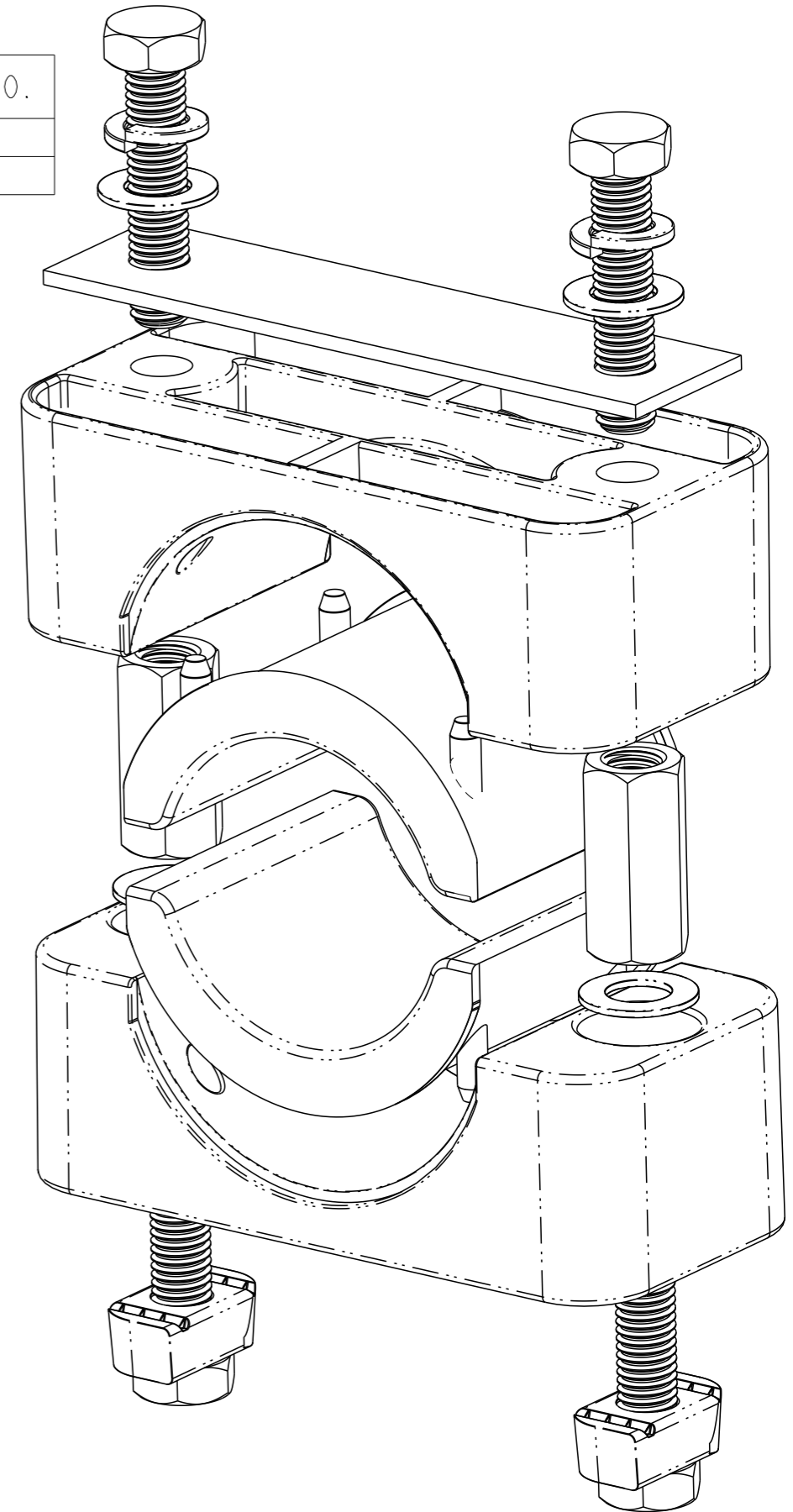
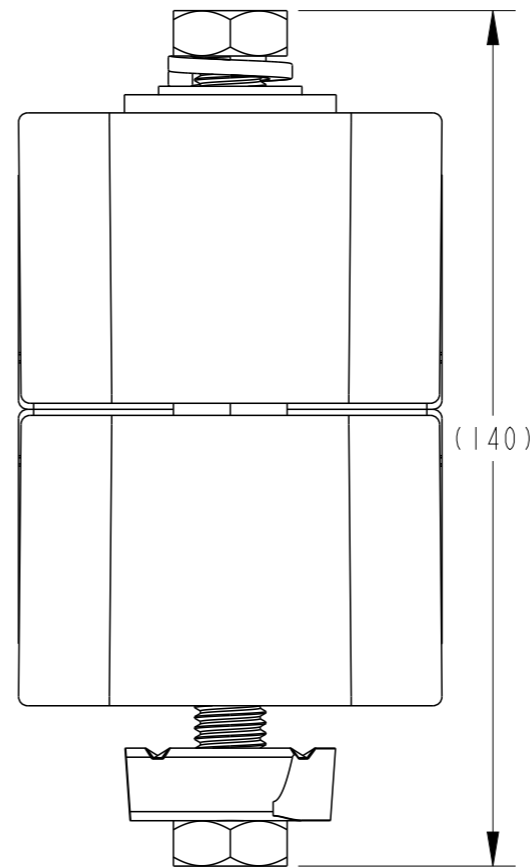


PART NO.	CATALOGUE NO.	REFERENCE NO.
EF8406-000	CC60-70-SN-M12	-
CV8202-000	CC68-81-SN-M12	TAP10909B



THIS INFORMATION IS CONFIDENTIAL AND PROPRIETARY TO TE CONNECTIVITY CORPORATION AND ITS WORLDWIDE SUBSIDIARIES AND AFFILIATES. IT MAY NOT BE DISCLOSED TO ANYONE, OTHER THAN TE CONNECTIVITY PERSONNEL, WITHOUT WRITTEN AUTHORIZATION FROM TE CONNECTIVITY CORPORATION, AUSTRALIA.

LOC																					
DIST	—	I	NEW RELEASE	05-09-2014	RN	AT	MATERIAL DESC -	MATERIAL NO -	MATL SPEC/STD/DRG NO -	PROCESS SPEC HEAT TREAT/PLATING NO -	TCPN REFER TABLE	PART Alias UTX/DUL CC60-81-SN-M12	Cat No REFER TABLE	TITLE CABLE CLEAT Ø60-Ø70 AND Ø68-Ø81 STRUT NUT	DRAWN RN	DATE 05-09-2014	TE Connectivity 2/3 Corella Close Berkeley Vale NSW 2261 Australia				
POS	REV	REVISION RECORD		DATE	DWN	APVD	MATERIAL NO -	MATL SPEC/STD/DRG NO -	PROCESS SPEC HEAT TREAT/PLATING NO -	SIZE A3	PROJECTION 3RD ANGLE	SCALE 4:5	DRAWING NO AU29480	SHEET 1	OF 1	REV 1					

D
C
B
A