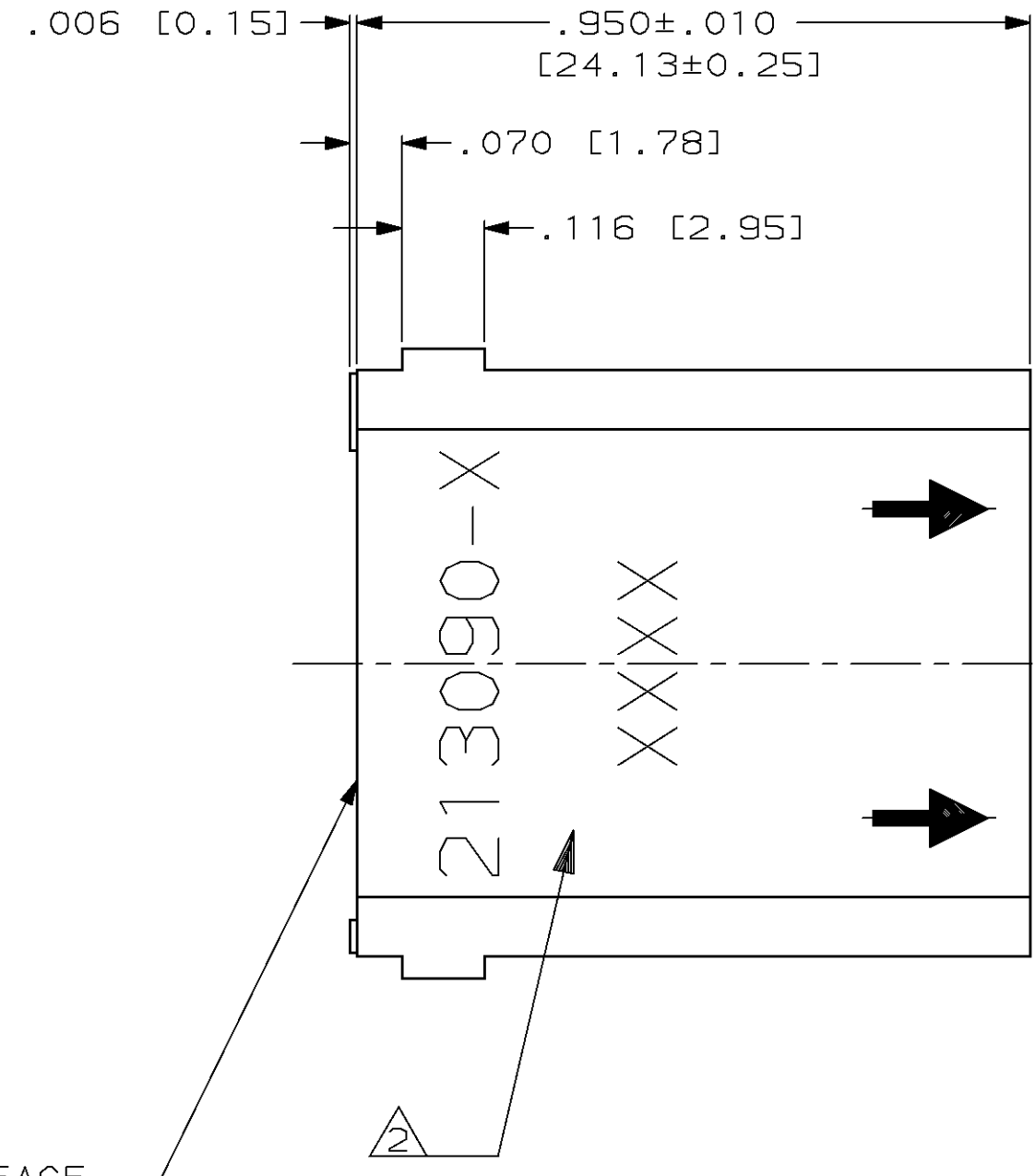
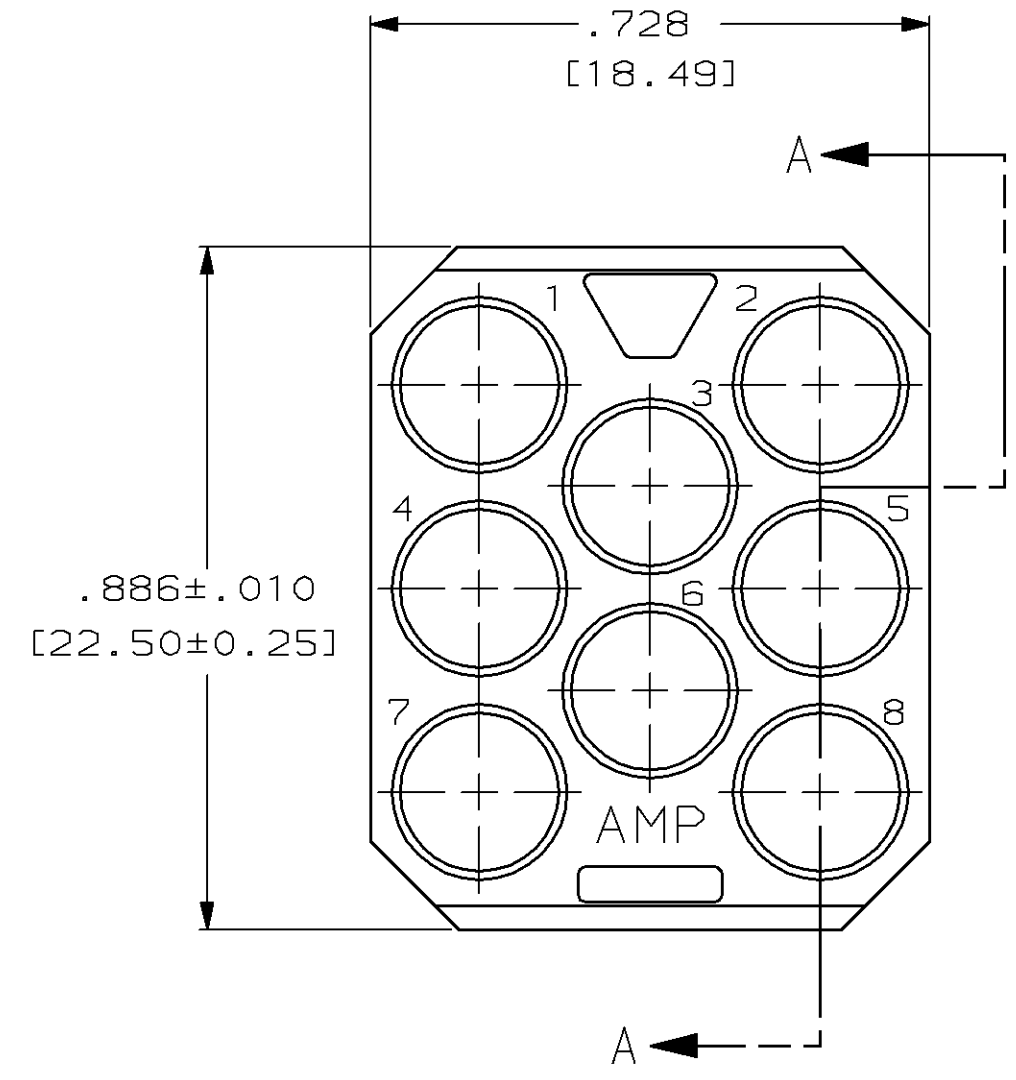
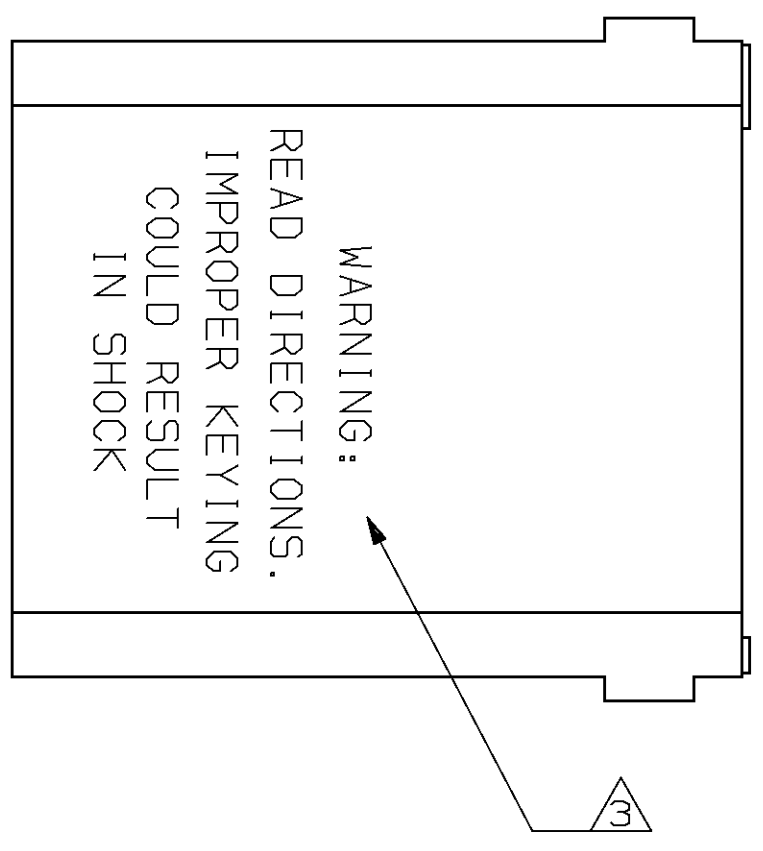
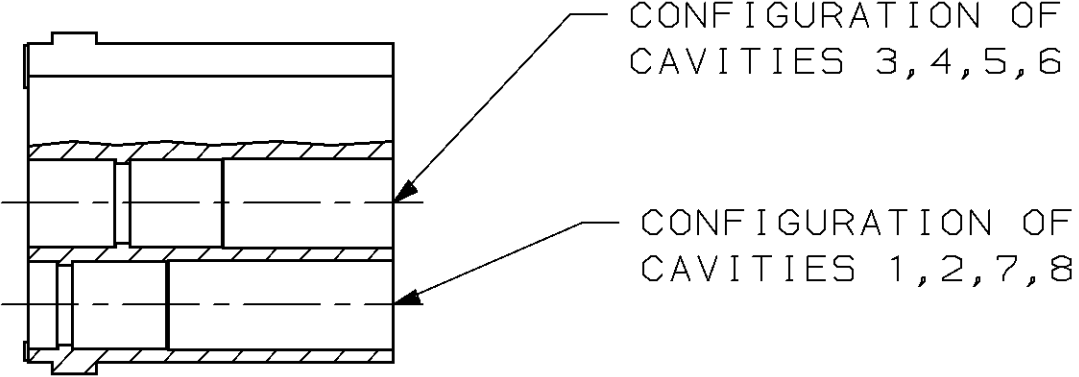


LOC	DIST	P	F	ZONE	LTR	DESCRIPTION	DATE	APPD
DF	BO				C	REV & REDRAWN DF-4297	PY 11-91	DBM
					D	REV PER 0600-4161-95 JB	08-30-95	DBM



- ① MATERIAL: DIALLYL PHTHALATE PER MIL-M-14, TYPE SDG-F, COLOR-BLUE
- ② AMP PART NO AND DATE CODE AND ARROWS MARKED WITH WHITE INK OR BY LASER MARKING AT APPROX AREA SHOWN
- ③ WARNING STATEMENT MARKED WITH WHITE INK AT APPROX AREA SHOWN
- 4. THIS MODULE ACCEPTS MINIATURE COAXICON AND TYPE I-SIZE 12 PIN CONTACTS

DESCRIPTION	PART NUMBER
CAVITY CONFIGURATION PER VIEW A	213090-4
ALL CAVITIES IDENTICAL TO CAVITY 3	213090-2



VIEW A  
SCALE 2:1  
(SEE TABLE)

DO NOT SCALE PRINT. UNLESS SPECIFIED DIMENSIONS IN INCHES [mm] TOLERANCES ON : 2 PLC DEC ± - 3 PLC DEC ± .005 ANGLES ± -	DR 7-16-91 P. YEAGER CHK 11-12-91 D.B. MUMMEY APPD 11-12-91 D.B. MUMMEY	AMP Incorporated Harrisburg, PA 17105-3608		
MATERIAL ①	APPD - PRODUCT SPEC -			NAME MALE BLOCK 8 POSN, G SERIES
FINISH -	APPLICATION SPEC -	SIZE C	CAGE CODE 00779	DRAWING NO 213090
	WEIGHT -	SCALE 4:1		SHEET 1 OF 1