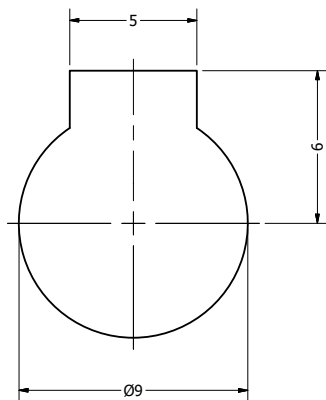
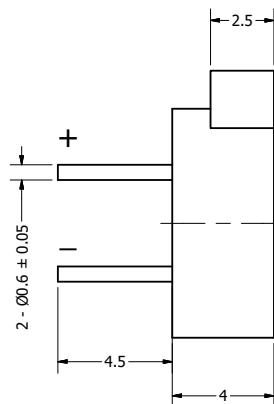


Part Number: TE092703-5	DRAWN CJ	6/15/2017
	CHECKED P.D.	6/15/2017
	APPROVED C.E.	6/15/2017
Description: Electro-Mechanical Transducer		
This document contains data proprietary to DB Unlimited. Any use or reproduction, in any form, without prior written permission of DB Unlimited is prohibited. All terms and conditions can be found at www.dbunlimitedco.com		

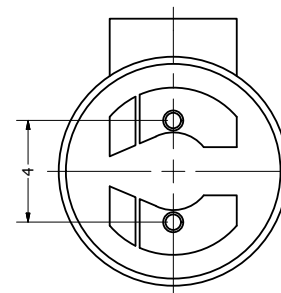
Top View



Side View



Bottom View



Items	Specifications	Conditions
Sound Pressure Level	85	dB (@ 10cm)
Resonant Frequency	2731	Hz
Rated Voltage	3	V
Voltage Range	2 ~ 4	V
Coil Resistance	15 ± 3	Ω
Max. Rated Current	90	mA
Storage Temperature	-40 ~ +85	°C
Operating Temperature	-40 ~ +85	°C
Connection Method	PC Pins	
Mount Type	Thru Hole	
Housing Material	Noryl	
Weight	1	g

REVISION HISTORY

REV	DESCRIPTION	DATE	APPROVED
	Released from Engineering	10/21/2013	J.S.
1	Add polarity, correct operating temp, update to new template	6/15/2017	C.E.

NOTES

- 1) All dimensions are in mm unless otherwise noted
- 2) All tolerances are ± 0.5 mm unless otherwise noted
- 3) All parts meet RoHS
- 4) Subject to change or redrawn without notice