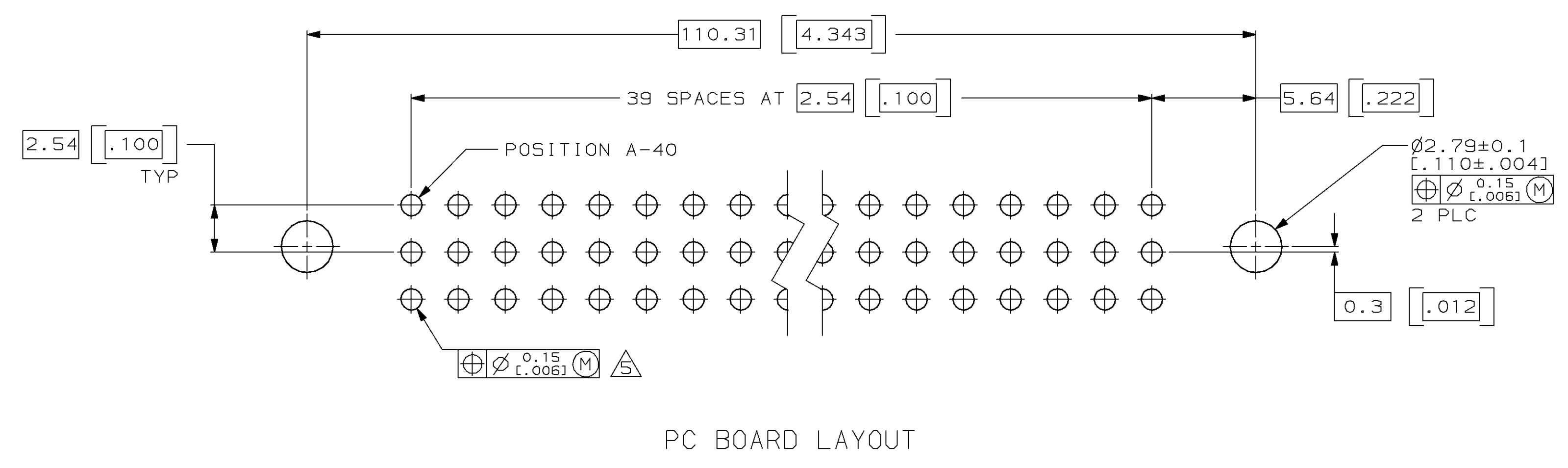
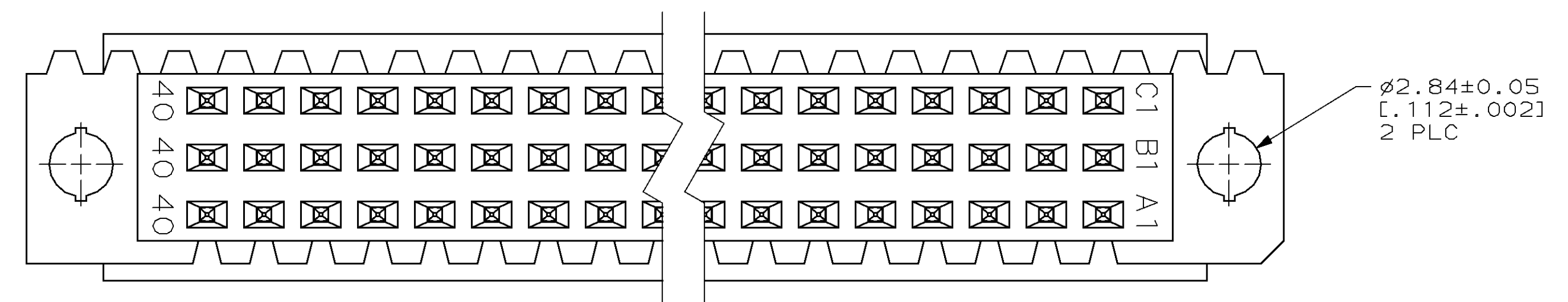
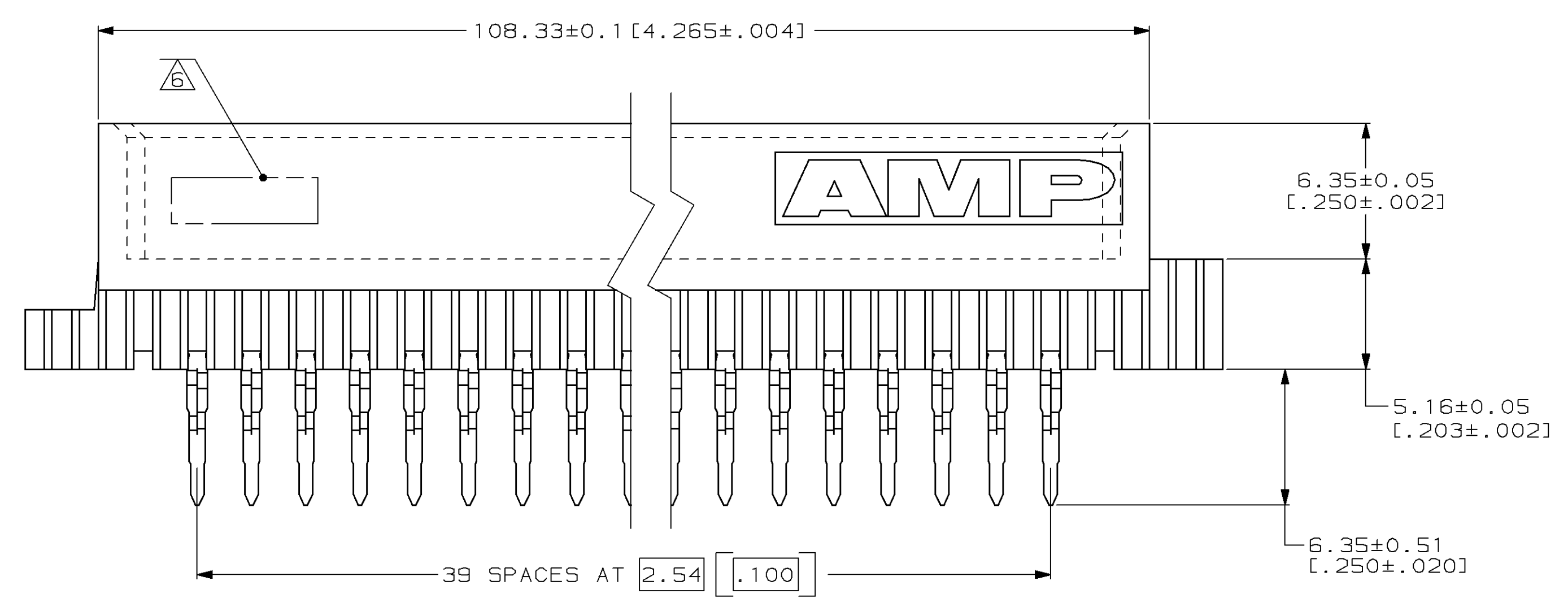
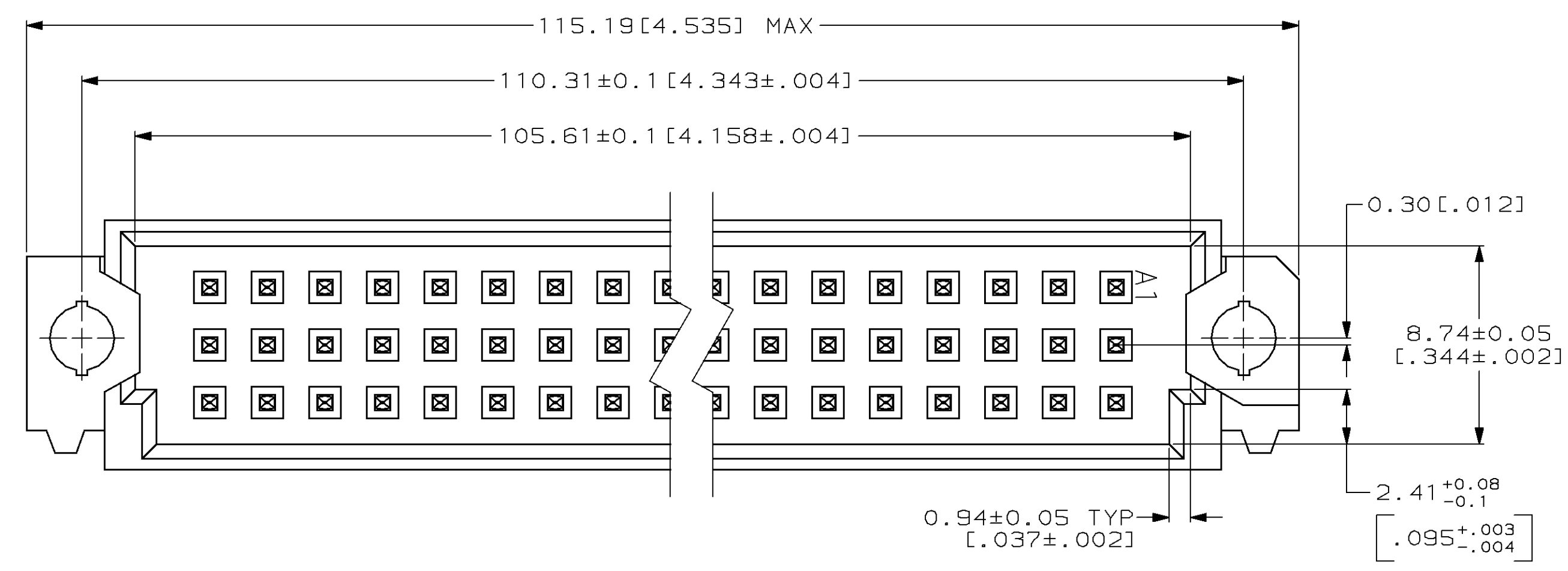
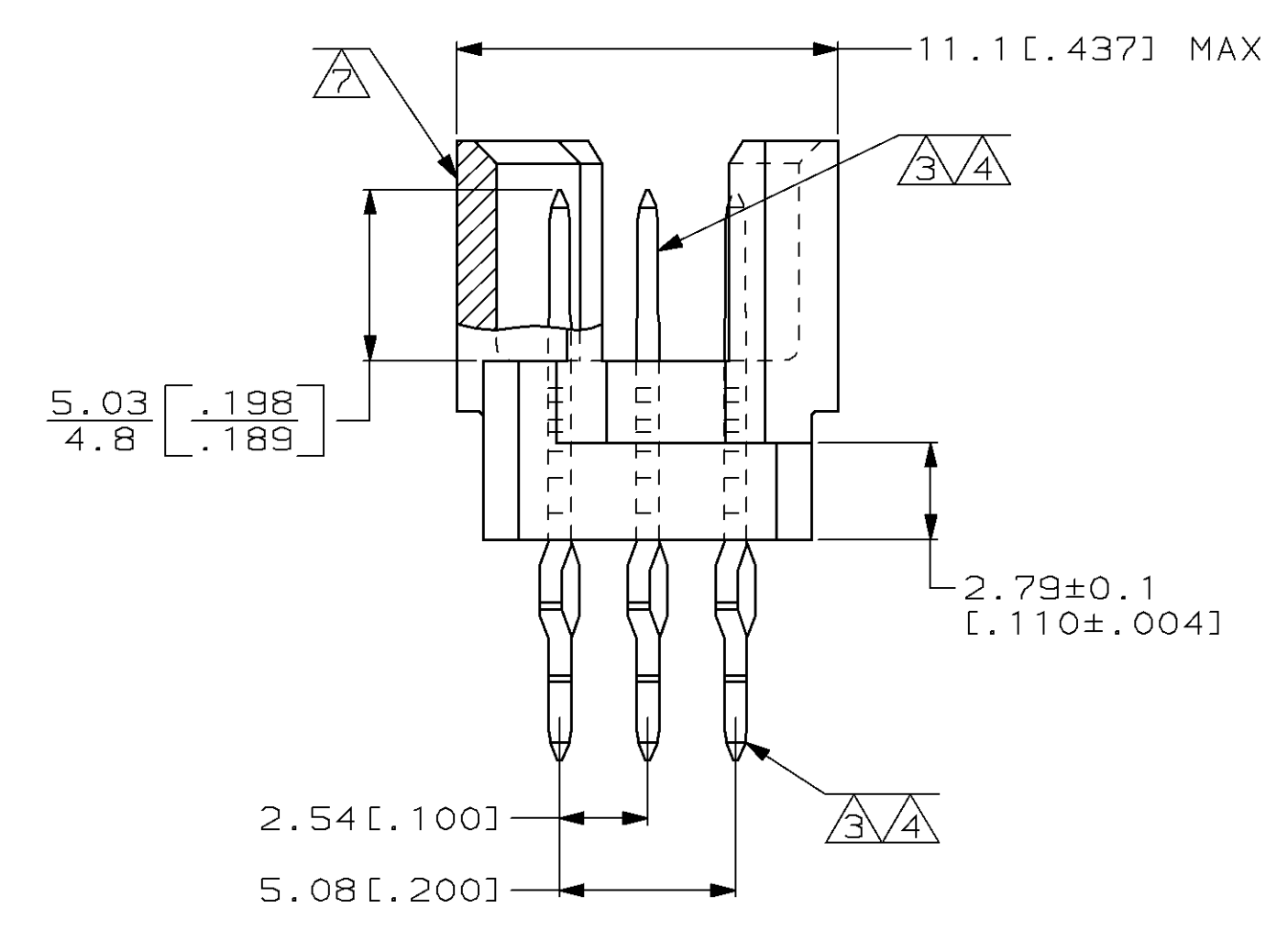


LOC		DIST		P		F		ZONE		LTR		REVISIONS		
AD	25											DESCRIPTION	DATE	APPD
												H EC 0504-0087-96	11/18/96	CR



- △ HOUSING MATERIAL: GLASS-FILLED POLYESTER. COLOR: GRAY.
- △ POST MATERIAL: PHOSPHOR BRONZE.
- △ POST FINISH: DIN 41612 CLASS 3 IN CONTACT AREA. TIN-LEAD PLATE ON POSTS.
- △ POST FINISH: DIN 41612 CLASS 2 IN CONTACT AREA. TIN-LEAD PLATE ON POSTS.
- △ ACTION PIN POSTS REQUIRE 2.36 [0.093] MINIMUM THICK PC BOARD. RECOMMENDED PC BOARD HOLES ARE 1.151 [0.0453] DIA PLATED THROUGH WITH 0.02-0.08 [0.001-.003] COPPER AND 0.008 [0.0003] MINIMUM TIN-LEAD PLATING. FINISHED HOLE AFTER PLATING, 0.94-1.09 [0.037-.043] DIA.
- △ [PART NUMBER, DATE CODE] MARKED THIS APPROXIMATE AREA.
- △ MARKING ON THIS SIDE.



SUPERSEDED BY 650921-5

NOTES	POSITIONS LOADED	C	B	A	NO. OF LOADED POSITION	ASSY PART NUMBER
	1-40	X	X	X	120	650921-9
	1-40	X	X	X	120	650921-5

DO NOT SCALE PRINT. UNLESS SPECIFIED DIMENSIONS IN mm [INCHES] TOLERANCES ON:		PART NO	
1 PLC DEC ± -	2 PLC DEC ± 0.13 [0.005]	AMP Incorporated Harrisburg, PA 17105-3608	
ANGLES ± -		NAME	
DR L. BRINER 3/18/91	CHK D.C. RUBENDALL 3/26/91	PIN ASSEMBLY, EUROCARD, TYPE "R"	
APPD D.C. RUBENDALL 3/26/91	APPD K.R. PARMER 3/26/91	SIZE	
MATERIAL HOUSING: △ POST: △	PRODUCT SPEC -	D	00779
FINISH	APPLICATION SPEC	SCALE	5:1
POST: △△	WEIGHT -	DRAWING NO	650921
		SHEET	1 OF 1