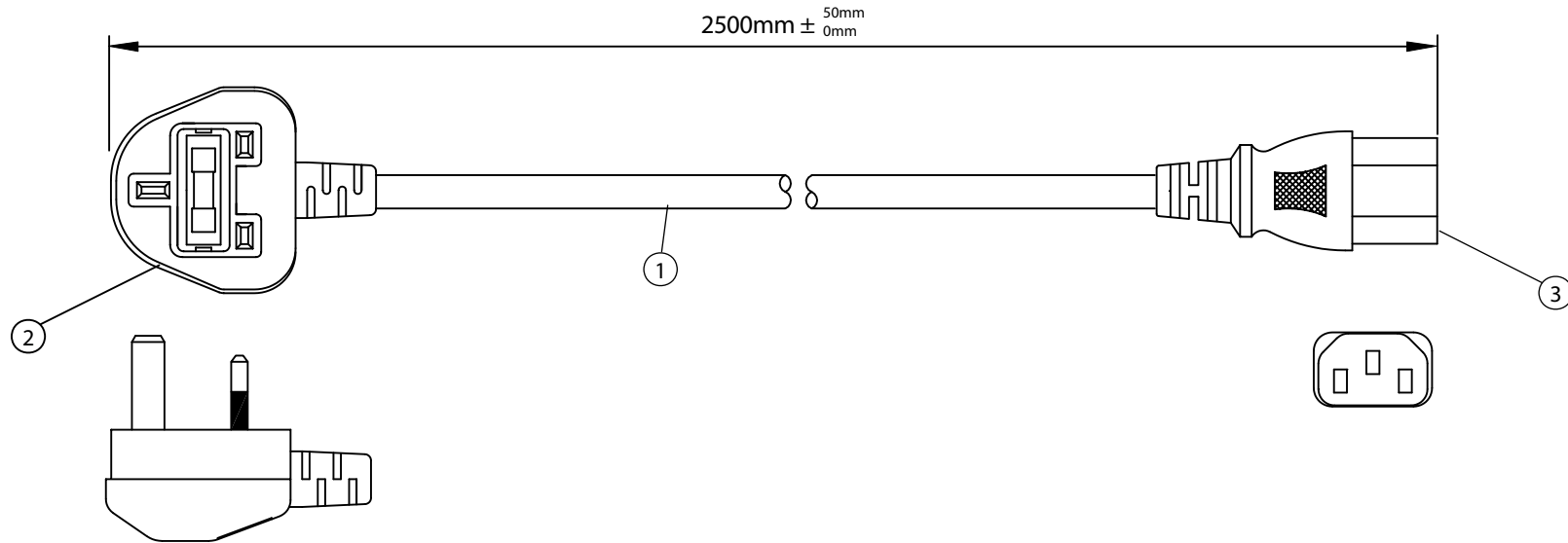


THESE DRAWINGS ARE THE PROPERTY OF QUALTEK ELECTRONICS AND NOT TO BE REPRODUCED FOR OR COMMUNICATED TO A THIRD PARTY WITHOUT THE EXPRESS WRITTEN PERMISSION OF AN OFFICER OF QUALTEK ELECTRONICS.

REVISION			
REV.	DESCRIPTION	DATE	APPROVED
B	RoHS Compliancey	06-01-06	DP
C	Added CE approval	12-30-08	LY
D	Updated Tolerances and Notes	03-12-12	LY



CONTROLLED

NOTES:

1. CORDAGE: H05VV-F, 3x1.00mm², UNSHIELDED
CEE COLOR CODE, TEMP. RATING: 70°C,
RATING: 250V, 10A, JACKET COLOR: BLACK
2. PLUG: UK PLUG BS1363A (SUPPLIED WITH 13A FUSE)
3. CONNECTOR: IEC 60320 C13
4. APPROVALS: UNITED KINGDOM, CE
5. ROHS COMPLIANT

Dim range (mm)		Tolerance +/- (mm)		Qualtek Electronics Corp. PPC DIVISION		
0-1		0.15		Part Number: 370001-E01 RoHS Compliant		
1-6		0.20		Description: POWER CORD		
6-18		0.30				
18-50		0.50				
50-120		0.70				
120-250		0.90				
250-500		1.20				
				UNIT: mm	REV. D	
				Drawn / Date	Checked / Date	Approved / Date
				S.TSAI 06-18-96	06-18-96	JJH / 06-18-96