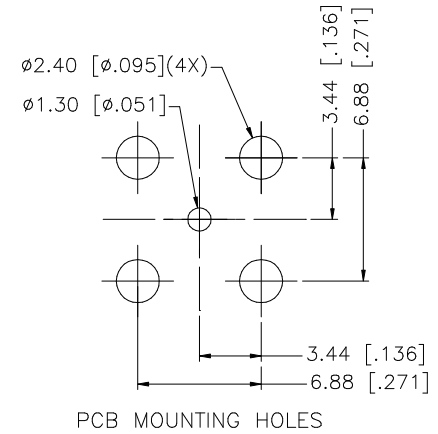
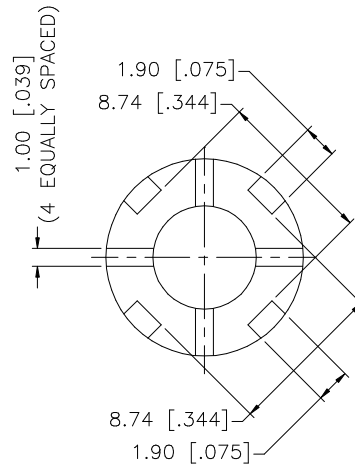
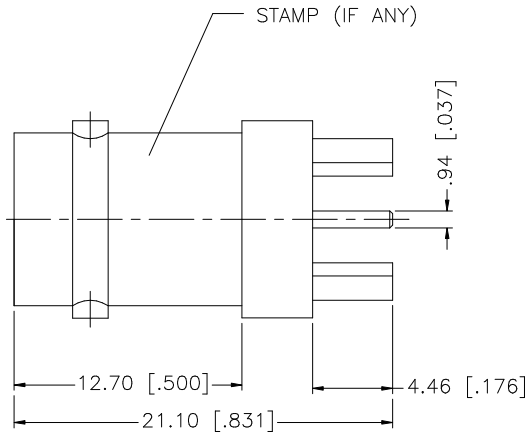


REV.	DATE	DESCRIPTION
A	04/04/03	UPDATE DRAWING FORMAT



PCB MOUNTING HOLES

8				
7				
6				
5	LOCK RING	BRASS	NICKEL	1
4	INSULATOR	PBT	WHITE	1
3	CONTACT PIN	PHOS. BRONZE	GOLD	1
2	INSULATOR	PBT	WHITE	1
1	BODY	BRASS	NICKEL	1
	DESCRIPTION	MATERIAL	FINISH	QTY

UNLESS OTHERWISE SPECIFIED DIMENSIONS ARE IN MILLIMETERS. DIMENSIONS IN [] ARE IN INCHES AND FOR CUSTOMER REFERENCE ONLY.

UNLESS OTHERWISE SPECIFIED TOLERANCES FOR MILLIMETERS ARE:
0.5 - 8mm ± 0.20mm
8 - 30mm ± 0.40mm
30 - 120mm ± 0.50mm

UNLESS OTHERWISE SPECIFIED TOLERANCES FOR INCHES ARE:
.020 - .315 = ± 0.007"
.315 - 1.180 = ± 0.015"
1.180 - 4.724 = ± 0.020"

DO NOT SCALE DRAWING

APPROVALS	DATE
DRAWN G.R.S.	04/04/03
CHECKED	
ISSUED	
SHEET 1 OF 1	
CAD FILE	C:/112/112538/DWG

Amphenol Connex

PART DESCRIPTION
BNC P.C. MOUNT RECEPT. JACK

PART NO.
112538

DWG. NO.	REV.	SIZE	SCALE
112538.DWG	A	A	NA