

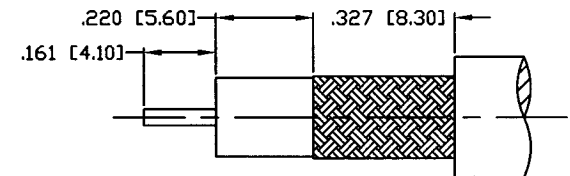
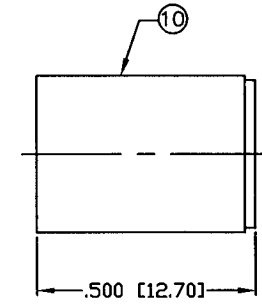
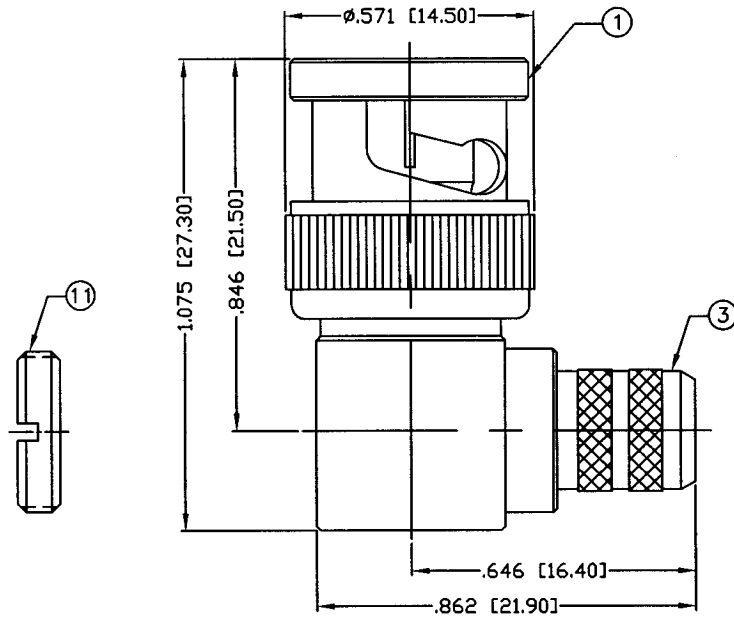
THIS DRAWING CONTAINS INFORMATION PROPRIETARY TO RF INDUSTRIES.  
 ANY UNAUTHORIZED USE OF THIS DRAWING IS EXPRESSLY PROHIBITED  
 WITHOUT WRITTEN PERMISSION FROM RF INDUSTRIES.  
 ANY VIOLATION IS PUNISHABLE UNDER U.S. COPYRIGHT LAWS.

ALL DIMENSIONS ARE REFERENCE ONLY

PART NO.

**RFB-1710-Q**

REV	DESCRIPTION	DWN	DATE	APPROVED
-	ENGINEERING RELEASE	GGG	1/23/02	JDMc



RECOMMENDED STRIPPING INSTRUCTIONS  
 SOLDER CABLE CENTER CONDUCTOR  
 TO CONNECTOR PIN

RECOMMENDED CRIMP DIE: .319

**SPECIFICATIONS:**

IMPEDANCE: 75 Ohms  
 FREQUENCY RANGE: 0-2 GHz  
 WORKING VOLTAGE: 500 V rms max. @ sea level  
 TEMPERATURE RANGE: -65°C TO 85°C  
 INSULATION RESISTANCE: 5k M Ohms min.  
 FOR: RG-6/U Type; Belden 1694A, 9248;  
 CommScope 5715, 5729, 5765

1	SHELL	1	ZINC DIECAST	NICKEL, 100μ"	008974
2	HOUSING	1	BRASS	NICKEL, 100μ"	
3	BARREL	1	BRASS	NICKEL, 100μ"	
4	INSULATOR	1	PTFE	---	
5	PIN	1	BRASS	GOLD, 3μ"	
6	GASKET	1	RUBERR	---	
7	RETAINING RING	1	BRASS	NICKEL, 100μ"	
8	SPRING	1	SK5	NICKEL, 200μ"	
9	WASHER	1	BRASS	NICKEL, 100μ"	
10	FERRULE	1	BRASS	NICKEL, 100μ"	
11	NUT	1	BRASS	NICKEL, 100μ"	
12					
13					
14					
#	DESCRIPTION	QTY	MATRL	FINISH	APPROVALS

008974	
DRAWN	1/23/02
CHECKED	1-27-02
ORJ DRAWN	1/23/02
G. GALLEGOS	

UNLESS OTHERWISE SPECIFIED:

- REMOVE ALL BURRS
- BREAK ALL CORNERS & EDGES .005 R. MAX.
- CHAMFER 1ST & LAST THREADS 45°
- SURFACE ROUGHNESS 63 FINISH MIL-STD-10
- DIAMETERS ON COMMON CENTERS TO BE CONCENTRIC WITHIN .002 T.I.R.
- ALL DIMENSIONS ARE AFTER PLATING.

DIMENSIONS ARE IN INCHES AND [MILLIMETERS]  
 UNLESS OTHERWISE NOTED TOLERANCES ARE:

DECIMALS	DIAMETER
.XXX±.003 [.08]	.XXX±.001 [.03]
.XX±.005 [.13]	.XX±.003 [.08]

**RF connectors**  
 DIVISION OF RF INDUSTRIES, LTD.

7610 MIRAMAR RD  
 SAN DIEGO, CA 92126  
 (858) 549-6340  
 (858) 549-6345 FAX

BNC PLUG CRIMP R/A			
SIZE	CABLE GROUP	DWG NO.	REV
A	Q	RFB-1710-Q	-
SCALE:	NTS	CAD FILE	OUTLINE
SHEET 1 OF 1			