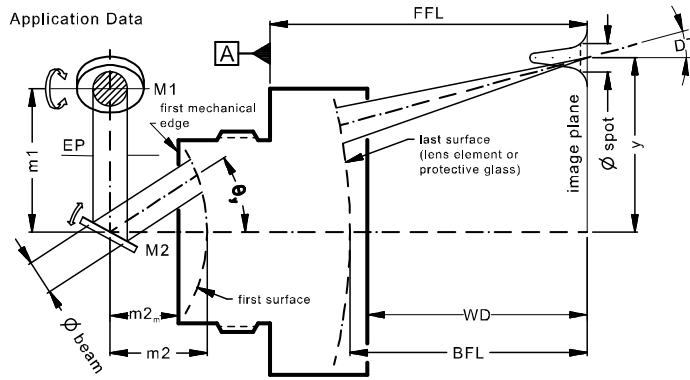


LINOS F-Theta-Ronar Lens

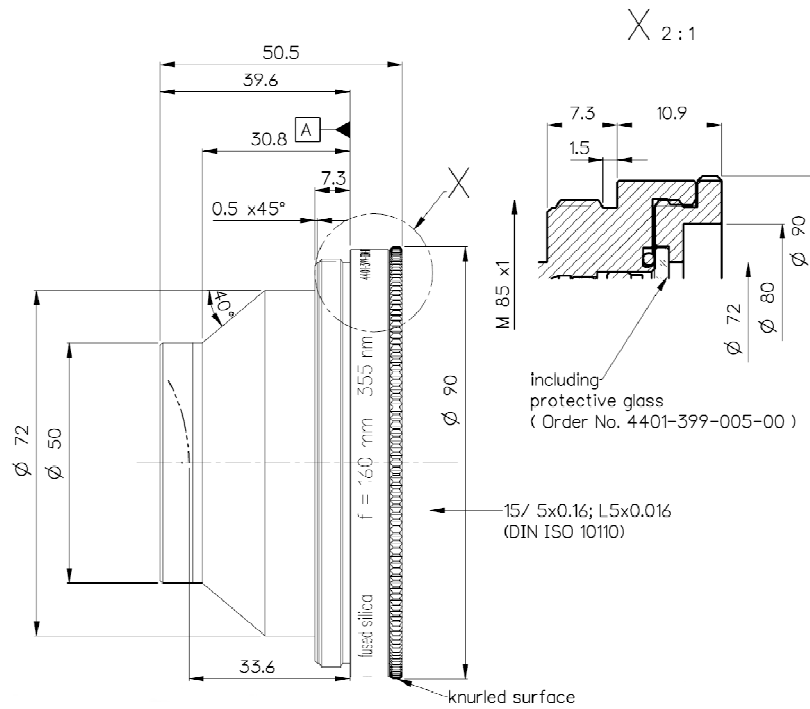
f = 160mm, 340-360nm, fused silica



| Part number | 4401-399-000-21 | | |
|--|-----------------------------|----------------------|------------------------------|
| Design wavelength | λ | (nm) | 355 |
| Effective focal length | EFL | (mm) | 161 |
| Back focal length | BFL | (mm) | 202.9 |
| Working distance | WD | (mm) | 197.4 |
| Flange focal length | FFL | (mm) | 208.3 |
| Beam diameter 1/e ² truncated | $\varnothing_{\text{beam}}$ | (mm) | 7.0 |
| Recommended mirror distance m1 | m1 | (mm) | 9.3 |
| Recommended mirror distance m2 | m2 | (mm) | 16.0 |
| Recommended mirror distance m2 _{mechanical} | m2 _m | (mm) | 10.0 |
| Scan angle | $\pm\theta$ | (°) | 17.7 |
| Scan area (edge length of scan field) | 2x * 2y | (mm ²) | 98 x 98 |
| Spot diameter | $\varnothing_{\text{spot}}$ | (μm) | 15 |
| Telecentric error (maximum deviation) | DT | (°) | 12.7 |
| Total transmission @ 340 - 360nm | T | (%) | > 96 |
| Group delay dispersion at λ | GDD | (fs ²) | 3755 |
| LIDT coating @ 355nm, 6ns, 100Hz | | (J/cm ²) | 4 |
| Focused back reflex positions from first surface | | (mm) | 18.3; 21.2; 43.3; 43.6; 45.9 |
| Weight | | (g) | 321 |
| Protective glass | PG | | 4401-399-005-00 |

Optical parameters calculated for a 1-mirror system
 Subject to technical change

Mechanical drawing

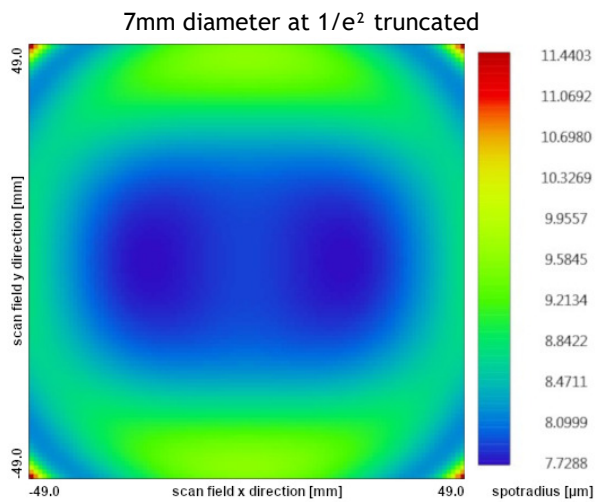


Dimensions without tolerances are nominal values and illustration not to scale

Spot variation over scanfield

Spot radius in μm at $1/e^2$ level for a Gaussian laser beam ($M^2=1$)

field size and mirror distances as given above for a 2 mirror scan system, vignetting $\leq 1\%$



Notes



For technical explanations, see our homepage.

In a 1-mirror system, the entrance pupil (EP) is the position of the scan mirror. In a 2-mirror system, it is the point where the scan mirrors should be placed around symmetrically to reach specified performance.