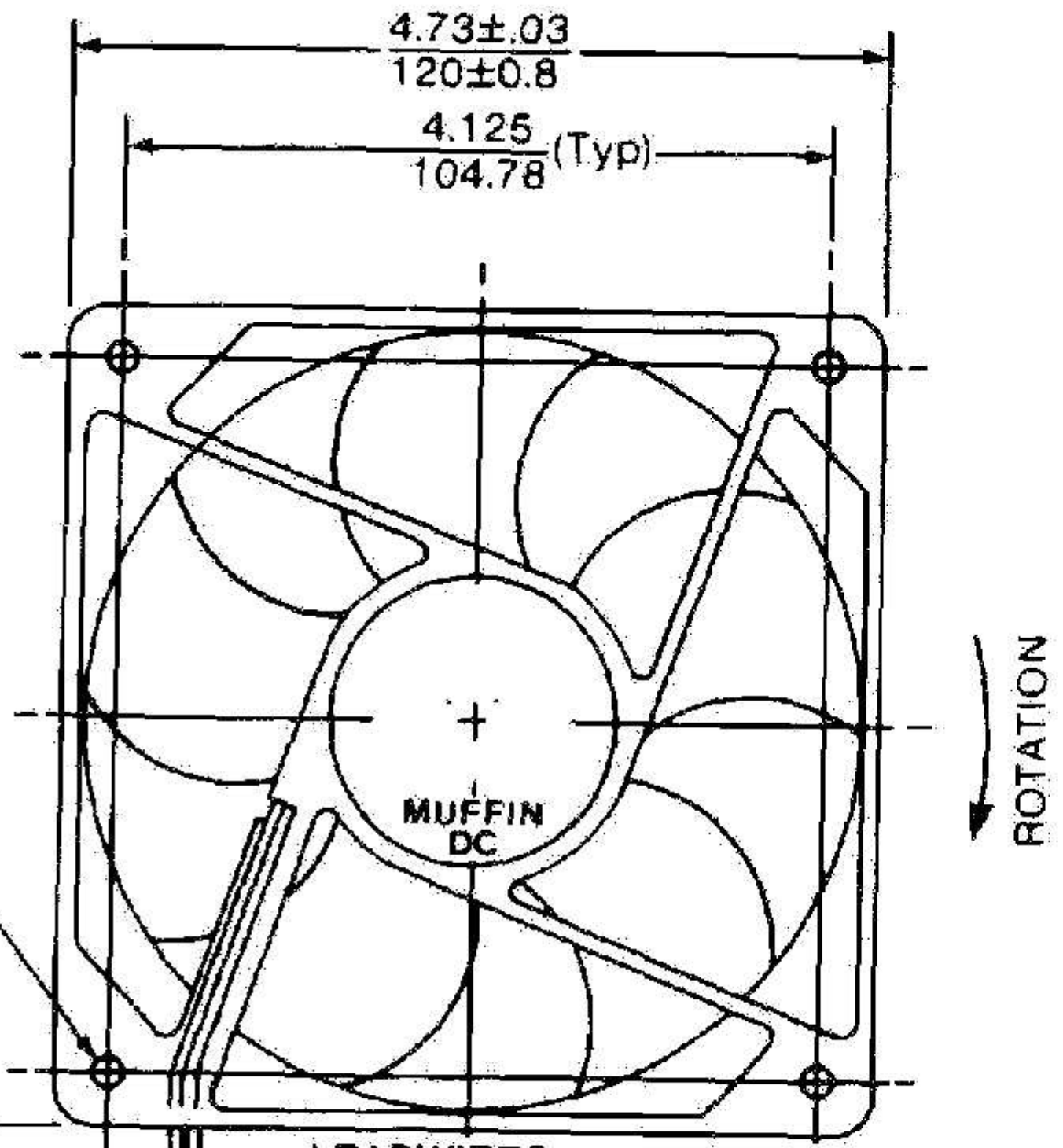
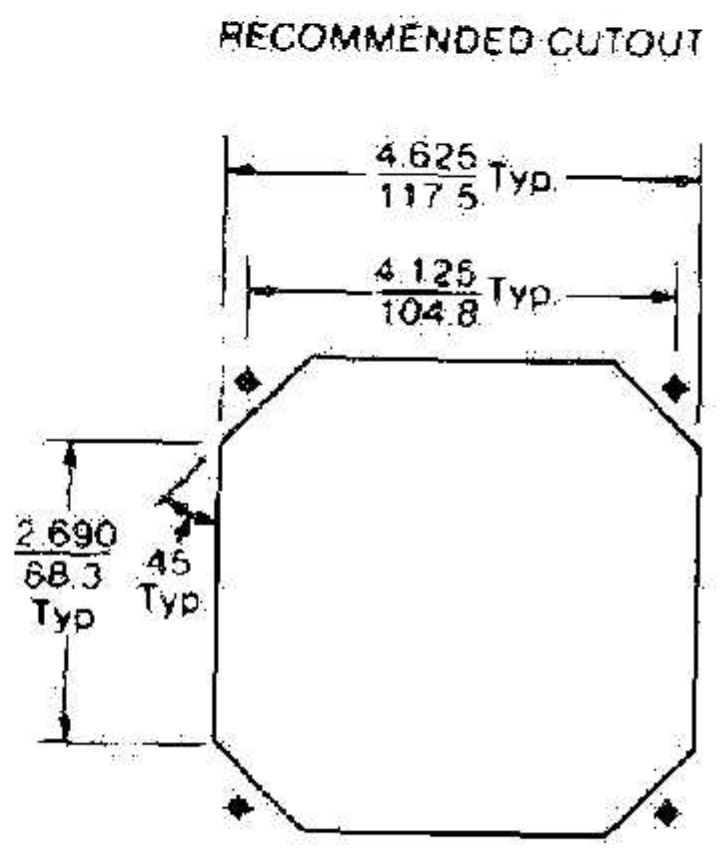


AIRFLOW →



↓ ROTATION



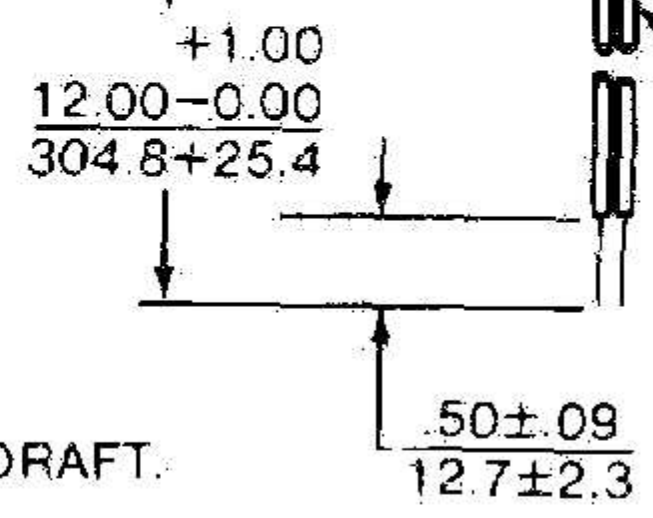
INLET OR  
OUTLET CUT OUT

**TACHOMETER  
OUTPUT WAVE FORM**

\*AMPLITUDES UP TO NOMINAL OPERATING VOLTAGE OR OPEN COLLECTOR AVAILABLE CONSULT APPLICATION ENGINEERING

**CAUTION**  
1) ON ALL THIRD WIRE MODELS, THE THIRD WIRE MUST NOT BE APPLIED TO EITHER + OR - POWER LEADS  
2) THIRD WIRE SENSOR'S GROUND REFERENCE MUST BE THE SAME AS THE FANS

.177 DIA.  
4.5  
(8 HOLES)  
NOTE 1



**LEADWIRES-  
NOTES:**

1. ALL LEADWIRES 22 AWG. U.L. STYLE 1061
2. POWERLEADS (-) BLACK (+) RED
3. NON-ISOLATED TACHOMETER OUTPUT (WHEN SPECIFIED), ADDS ONE ADDITIONAL BLUE WITH WHITE TRACER LEAD (SAME LENGTH AS POWER LEADS).

**NOTES:**  
1) DIA. AT LARGE END OF DRAFT.

**DIMENSIONS:**  $\frac{\text{in}}{\text{mm}} \pm$   
**TOLERANCES:** xx = .03  
                                  0.8  
                                  xxx = .010  
                                  .25  
**ANGULAR ±2°**  
**(UNLESS NOTED)**

Specifications subject to change without notice.