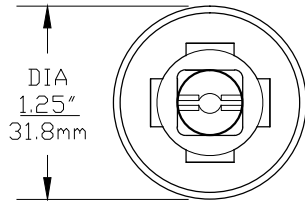


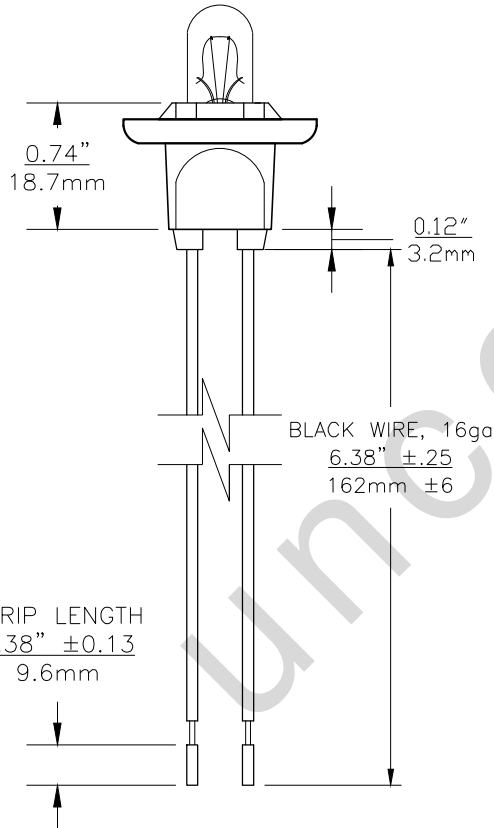


Since 1959

PART NO.	BASE TYPE	DESIGN VOLTS	DESIGN AMPS	MSCD	FILAMENT TYPE	AVERAGE LIFE HOURS	REVISIONS			
							REV #	DESCRIPTION	DATE	APPROVED
194WS-K	Glass Wedge T-3 1/4 (W2.1X9.2d)	14.0V	0.27±10%	2 ±20%	C-2F	2500	1	ISSUED	06/04/2014	R.M.

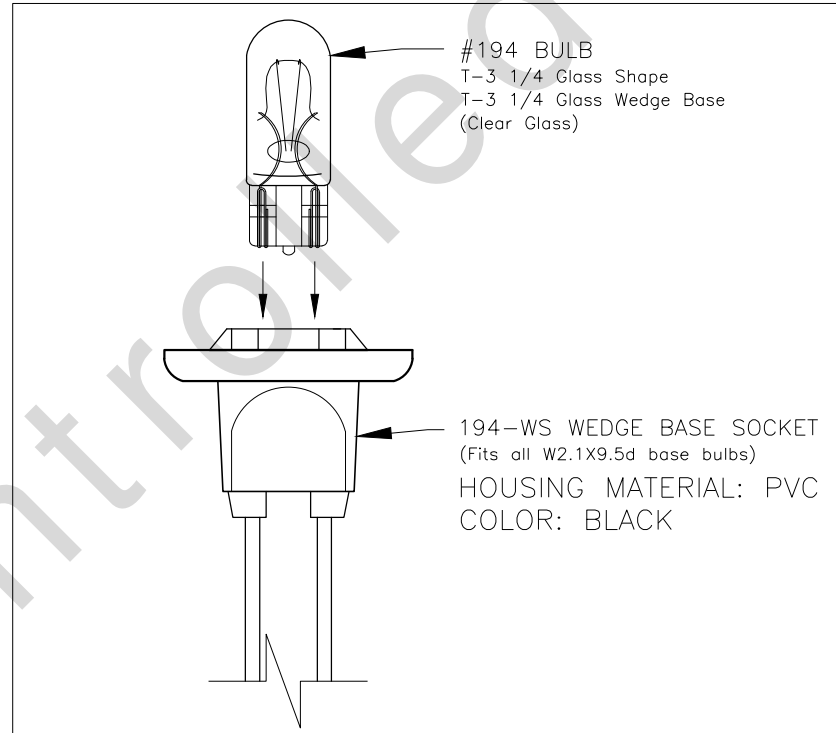


TOP VIEW



0° VIEW

NOMINAL DIMENSIONS ON SOCKET



KIT INFORMATION

Note: Made according to SAE specifications



UNLESS OTHERWISE SPECIFIED: DIMENSIONS ARE IN INCHES TOLERANCES		CEC INDUSTRIES LTD			
DECIMALS	ANGULAR	599 BOND STREET		LINCOLNSHIRE, IL 60069	
.XX ± .05	± 0.5°	TITLE LIGHT BULB NO. 194WS-K			
.XXX ± .010		SIZE A	FSCM NO.	DWG NO. 194WS-K	REV 1
FRACTIONAL	±1/64	DESIGN	SCALE	PLOT SCALE	SHEET 1 OF 1
DRAWN ROSE MEDINA		DATE 06/04/2014		MATERIAL	
CHECKED		FILE 194WS-K.pdf	DRAWING NOT TO SCALE		