

RAD-CON-MCX-RPSMA-EX

Explosion-proof antenna fitting



INTERFACE

Data Sheet
2150_en_D

© PHOENIX CONTACT 2011-07-20

1 Description

The RAD-CON-MCX-RPSMA-EX can be used directly with any UL-listed explosion-proof housing or fitting without the need of a seal fitting. It allows any Phoenix Contact wireless product to be placed in a Class I, Div. 1 area with the antenna mounted outside the cabinet.

The fitting simply limits the amount of energy to the antenna, thereby eliminating the possibility of an explosion. It features 0.9 m (3 ft.) of integrated cable with an MCX connector to connect to the radio inside the cabinet. An antenna or additional cable attaches to the RP-SMA connector on the fitting on the outside of the cabinet.

2 Features

- Short-circuit protection
- No sealing fitting required - allows easy installation in hazardous areas
- Meets NEMA 7; Class I, Division 1, Groups A, B, C, D; Class II, Division 1, Groups F, G; and Class II, Division 1 Groups F, G requirements
- Corrosion-resistant stainless steel
- Environmental protection for internal circuitry
- Flameproof and intrinsically safe in one package
- Less than 1.5 dB attenuation
- 3/4-in. NPT connection



Make sure you always use the latest documentation.
It can be downloaded at www.phoenixcontact.net/catalog.



This data sheet is valid for all products listed on the following page:


3 Ordering Data

Products

| Description | Type | Order No. | Pcs./Pkt. |
|--|----------------------|-----------|-----------|
| Antenna fitting, explosion proof, 90 cm pigtail, 3/4-in NPT threads, MCX (male) to RP-SMA (female) | RAD-CON-MCX-RPSMA-EX | 2885621 | 1 |

4 Technical Data

| General data | |
|-----------------------------|--|
| Maximum fault voltage (RMS) | 250 V |
| Maximum radio power output | 2 W |
| Frequency | ≤ 2.4 GHz |
| Impedance | 50 Ω |
| Mounting | 3/4-in. NPT |
| Material | 300 series stainless steel housing nickel-plated brass RP-SMA connector |

| Conformance/approval | |
|---|-------------------------------------|
|  | Class I, Division 1, Groups A,B,C,D |
| | Class I, Division 2, Groups A,B,C,D |
| | Class II, Division 1, Groups F,G |
| | Class II, Division 2, Groups F,G |
| National Electrical Manufacturer's Association | NEMA 7 |

5 Dimensions

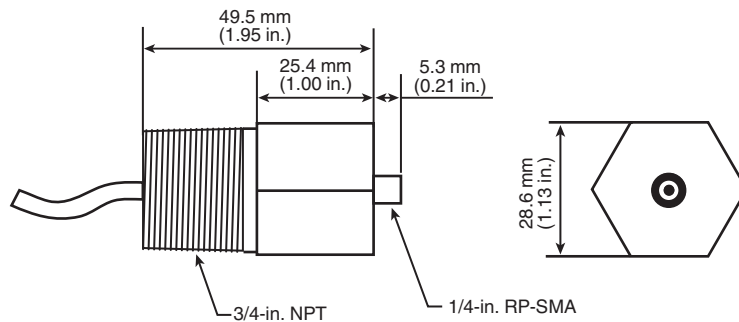


Figure 1 Dimensions