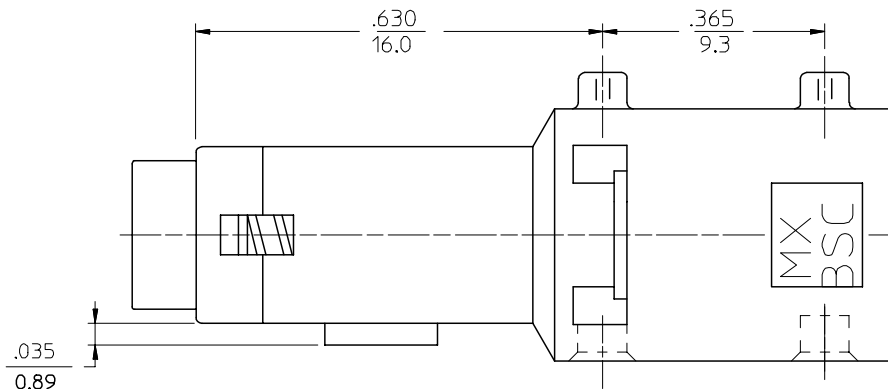
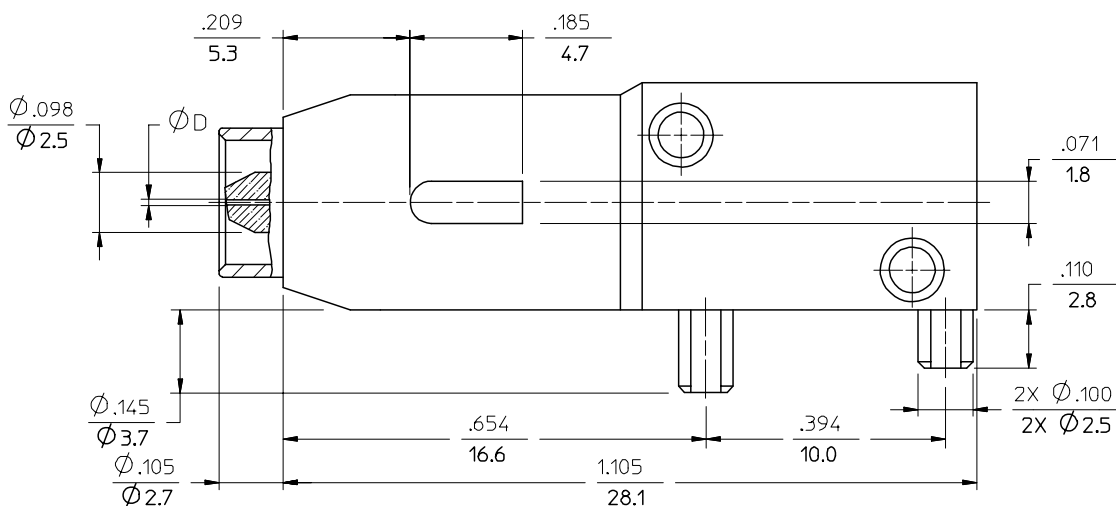


RECOMMENDED MOUNTING HOLES



VIEW A

P/N OF CONNECTOR	D (Mm)	COLOR
106075-4000	125	GREEN
106075-5000	126	

ENTER DESCRIPTION EC NO: MF2006-0285 DRWN:PGIBLIN 2005/11/29 CHKD: 2005/11/29 APPR:IGUMIN 2005/11/29 A	QUALITY SYMBOLS ▽=0 ▽=0	GENERAL TOLERANCES (UNLESS SPECIFIED)		DIMENSION STYLE IN/MM	SCALE 5:1	DESIGN UNITS INCH	THIRD ANGLE PROJECTION
		4 PLACES ± --- ± --- 3 PLACES ± --- ± --- 2 PLACES ± --- ± --- 1 PLACE ± --- ± ---	DRAWN BY PGIBLIN DATE 2005/10/27	TITLE BSC/APC CONNECTOR			
		ANGULAR ±1/2°	CHECKED BY DATE	MATERIAL NO. SEE TABLE			
		DRAFT WHERE APPLICABLE MUST REMAIN WITHIN DIMENSIONS	APPROVED BY DATE	DOCUMENT NO. SD-106075-X000	SHEET NO. 1 OF 01		

THIS DRAWING CONTAINS INFORMATION THAT IS PROPRIETARY TO MOLEX INCORPORATED AND SHOULD NOT BE USED WITHOUT WRITTEN PERMISSION