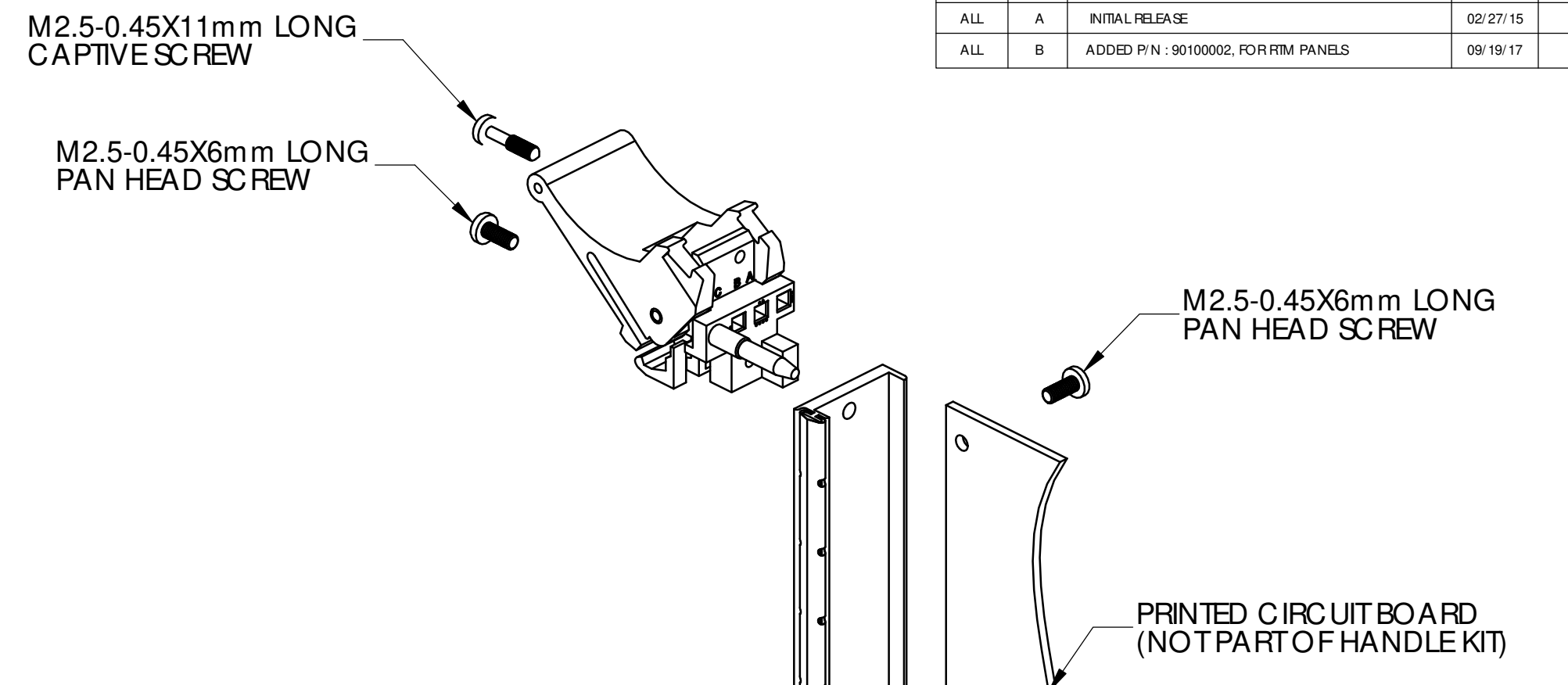
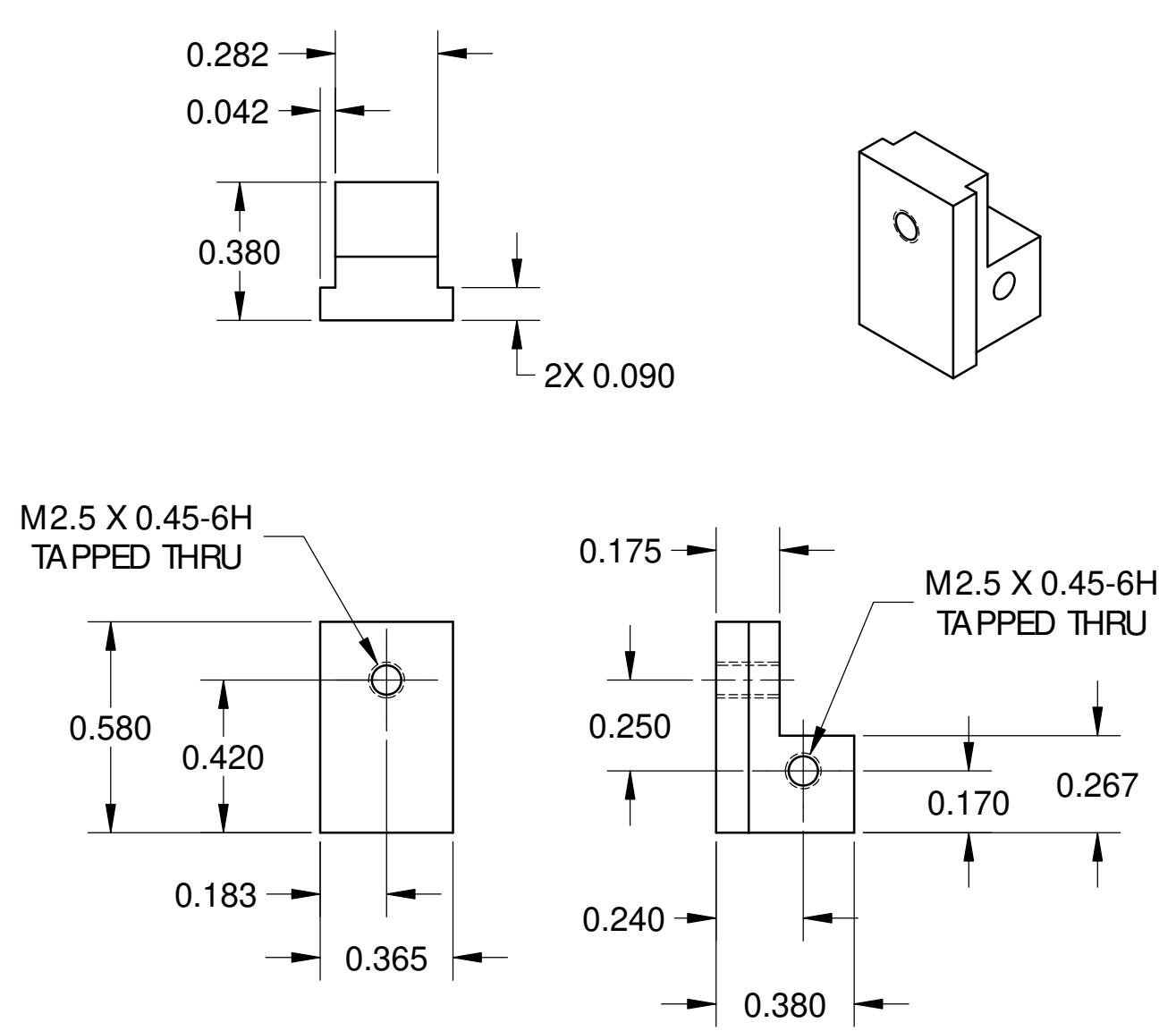
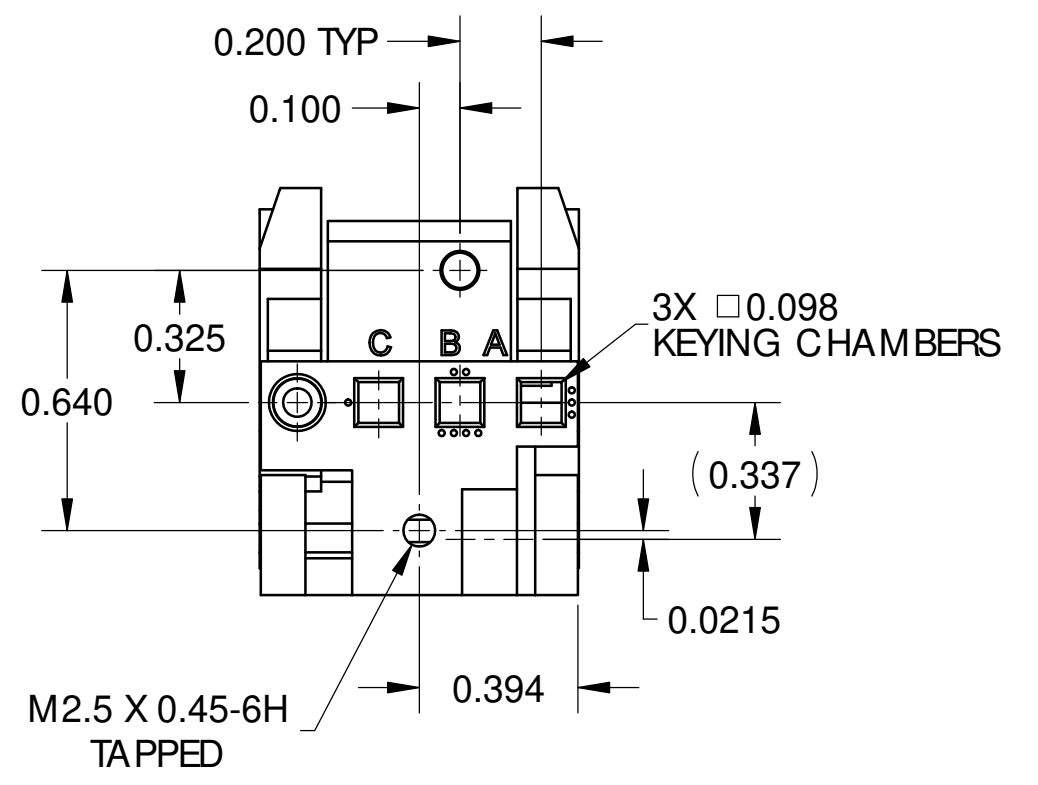
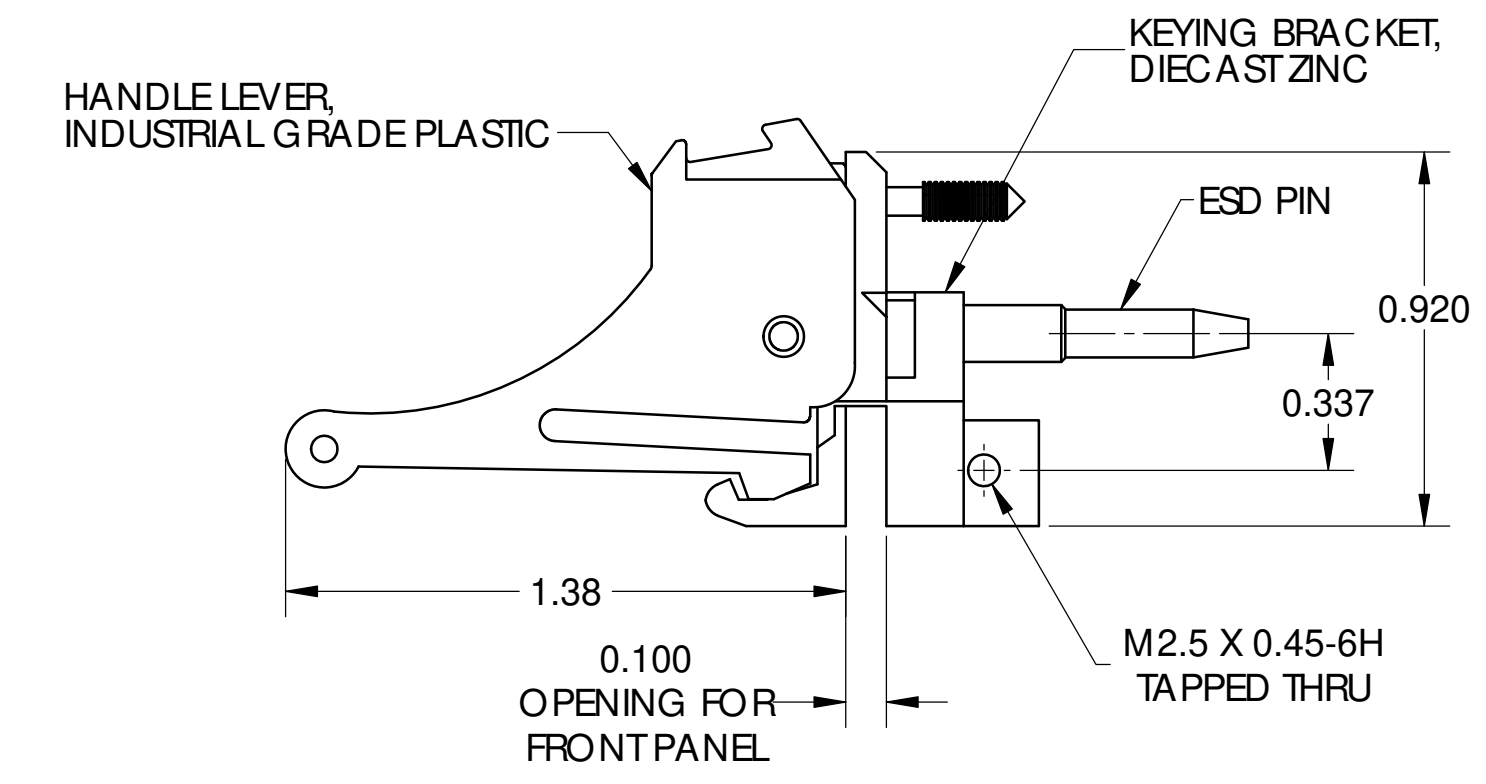


PROPRIETARY AND CONFIDENTIAL
 THE INFORMATION CONTAINED IN THIS DRAWING IS THE SOLE PROPERTY OF
 VECTOR ELECTRONICS & TECHNOLOGY, INC. ANY REPRODUCTION IN PART
 OR AS A WHOLE WITHOUT THE WRITTEN PERMISSION OF VECTOR ELECTRONICS
 & TECHNOLOGY, INC IS PROHIBITED.

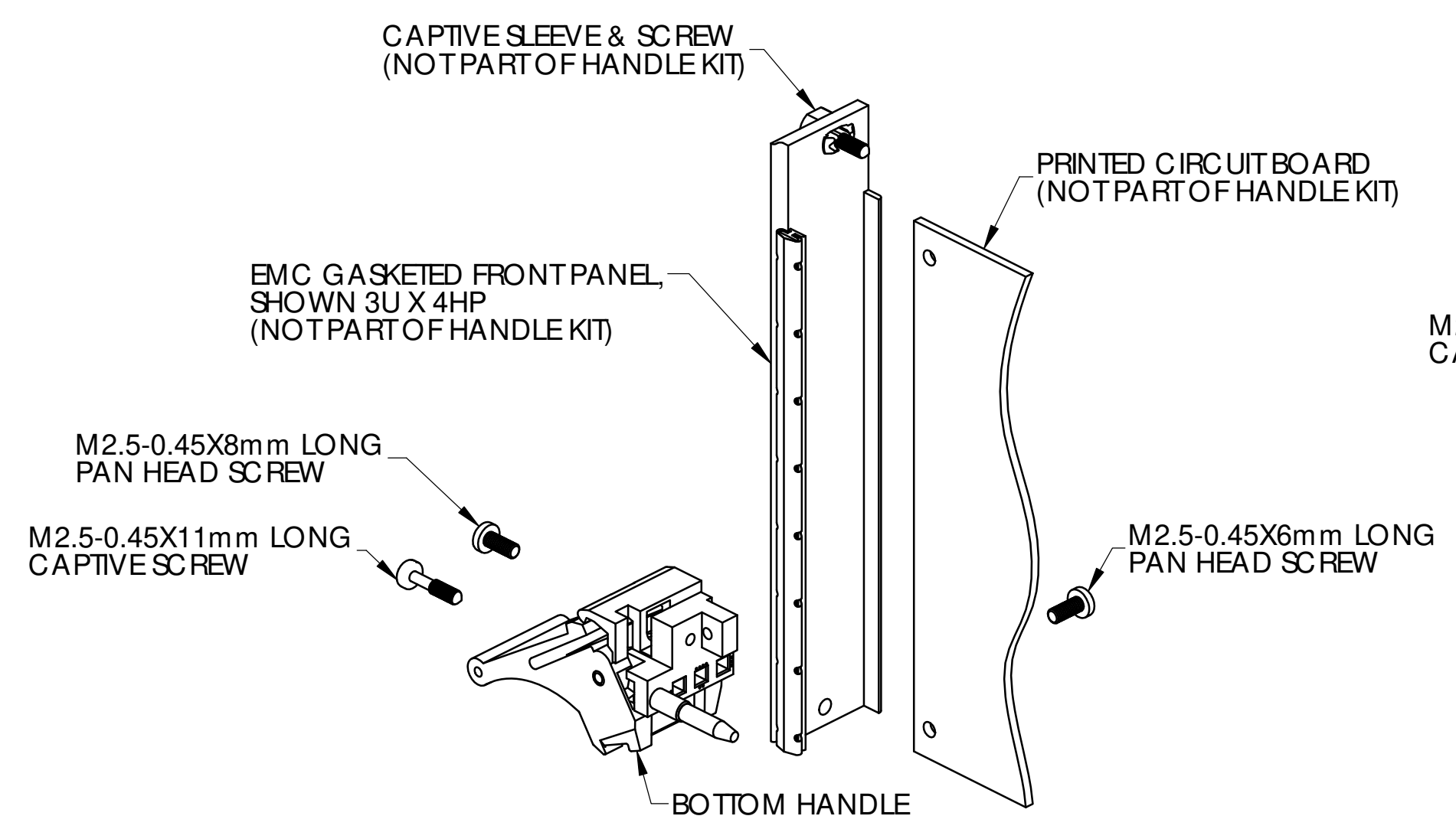
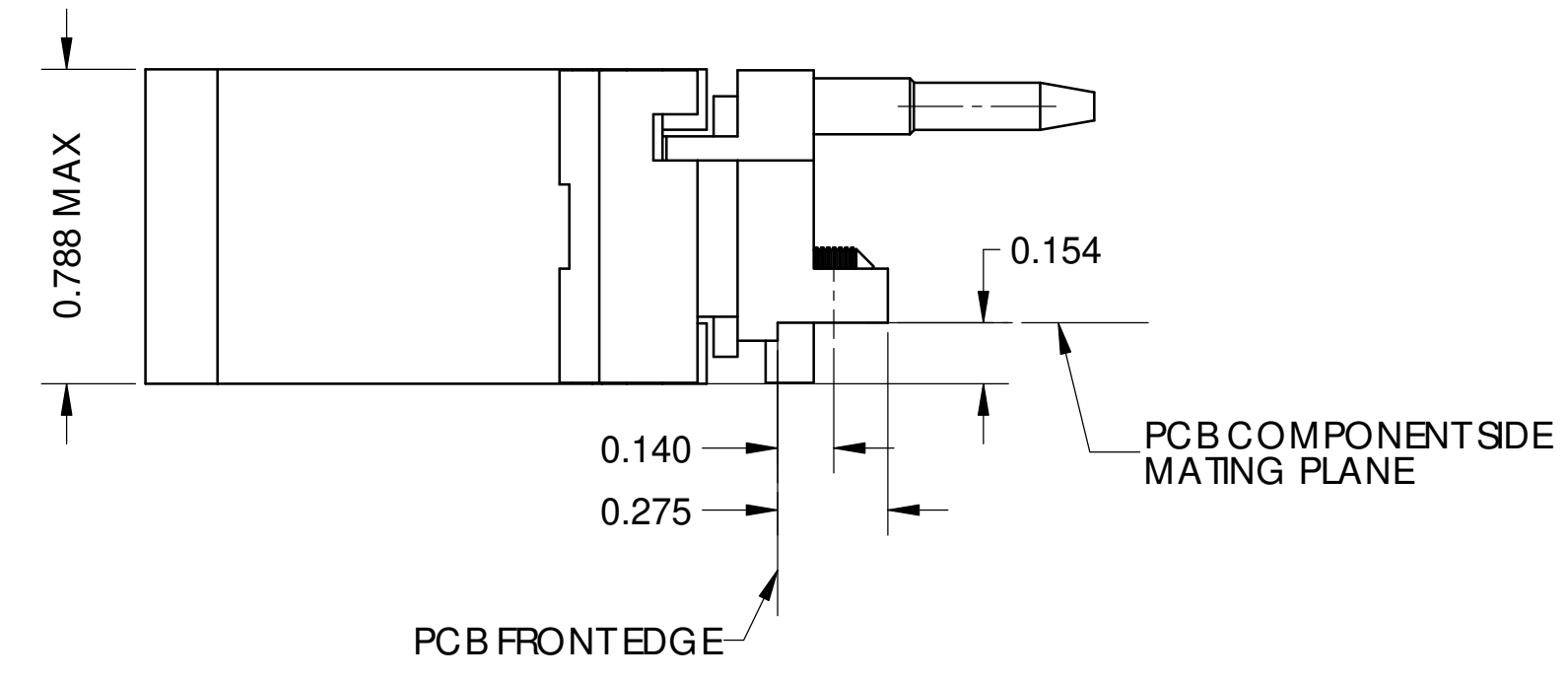
| REVISIONS | | | | |
|-----------|-----|-----------------------------------|----------|----------|
| ZONE | REV | DESCRIPTION | DATE | APPROVED |
| ALL | A | INITIAL RELEASE | 02/27/15 | |
| ALL | B | ADDED P/N: 9010002 FOR RIM PANELS | 09/19/17 | |



TOP HANDLE DETAIL

L-BRACKET DETAIL
(PART OF 90100016)

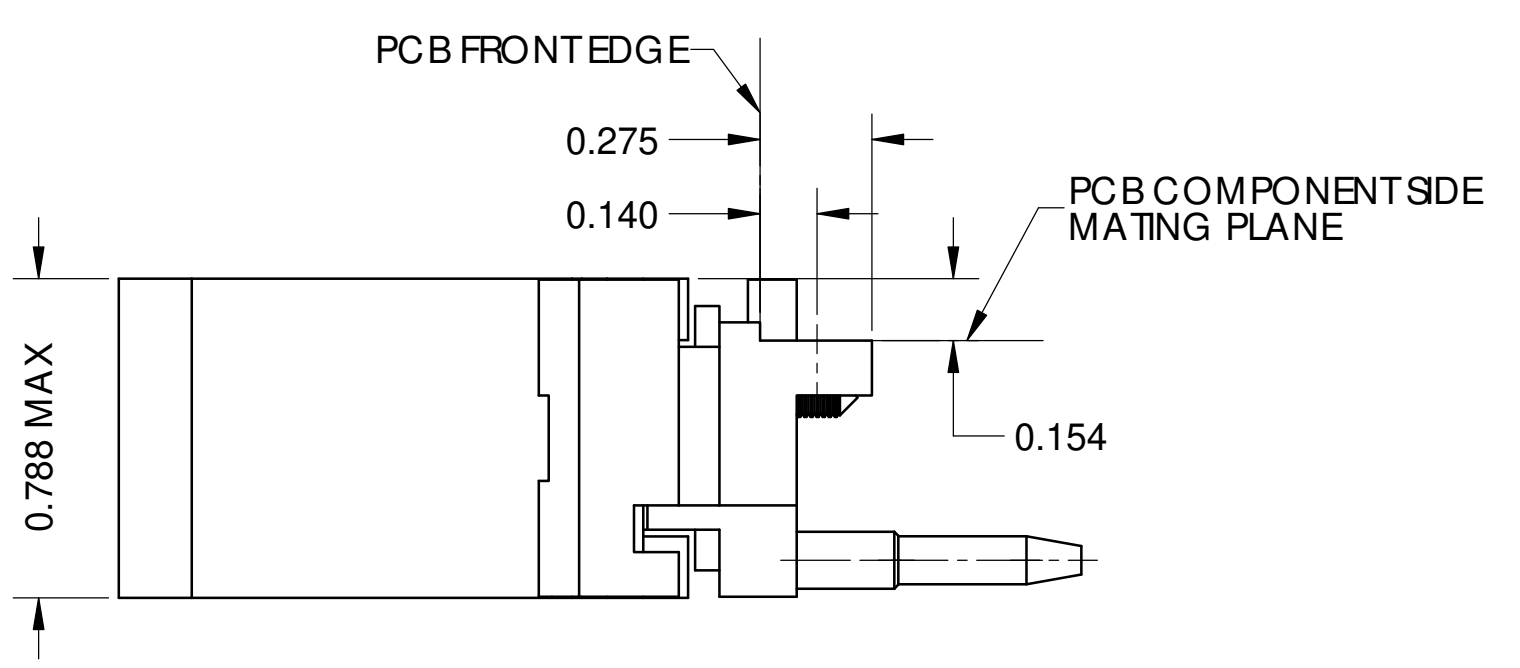
EXPLODED VIEW
6U OR 9U PLUG-IN CARD ASSEMBLY



EXPLODED VIEW
3U FRONT PLUG-IN CARD ASSEMBLY

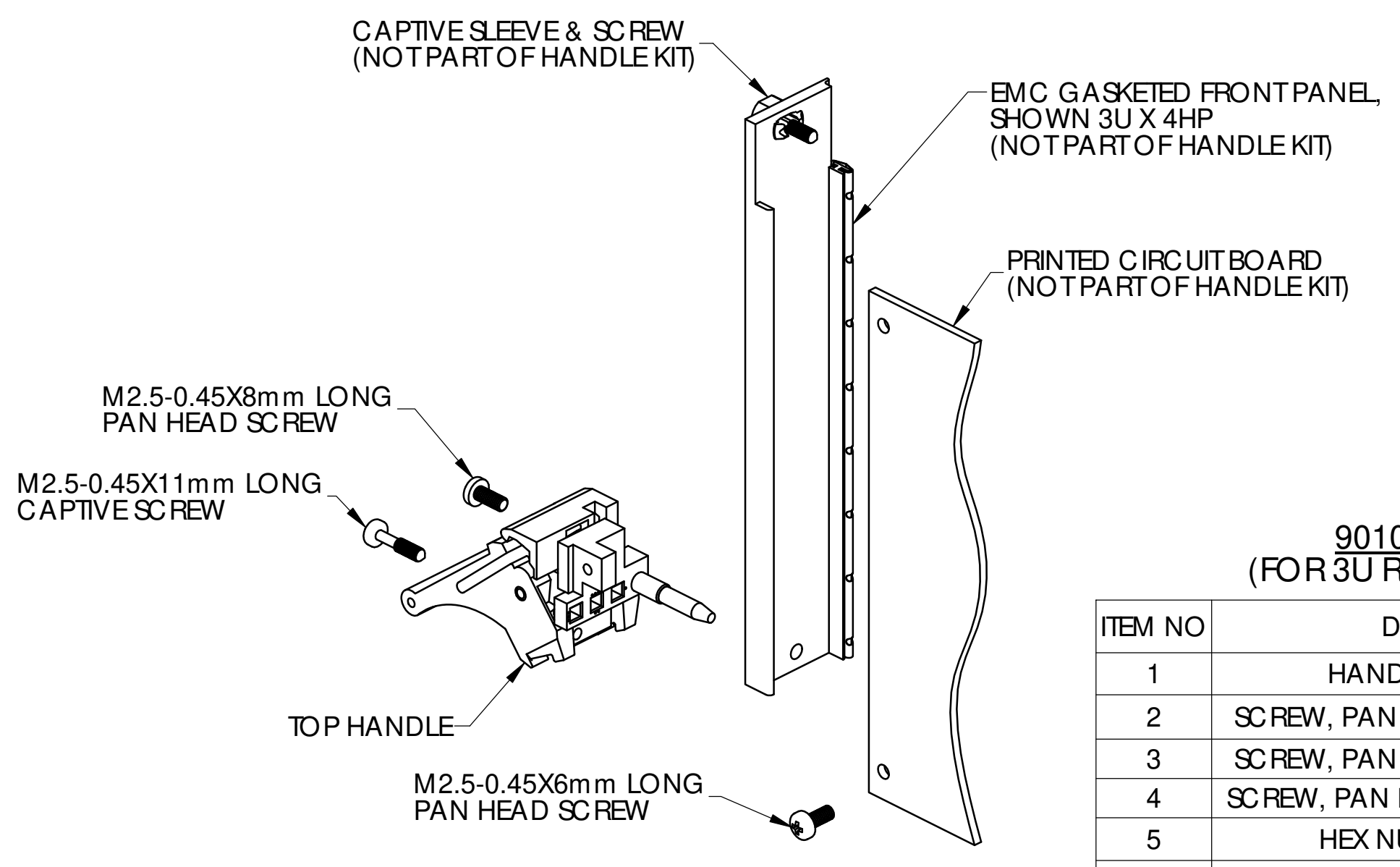
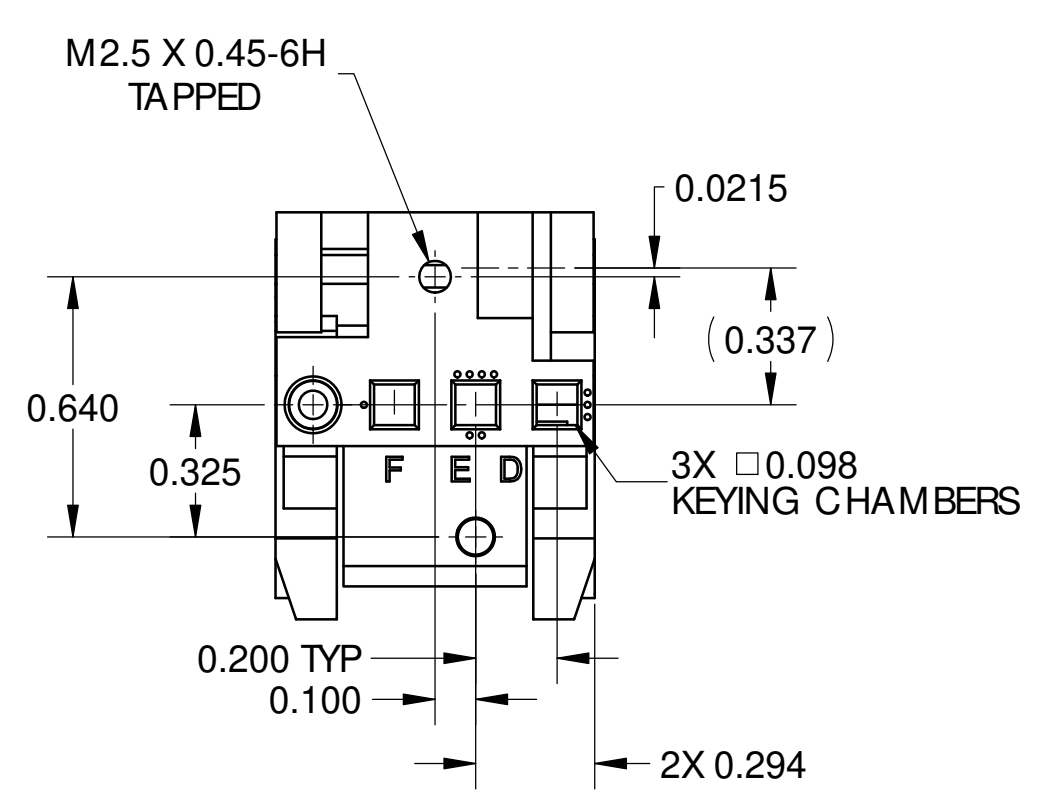
90100016 PARTS LIST
(FOR 6U OR 9U FRONT PANEL ASSEMBLY)

| ITEM NO | DESCRIPTION | QTY | U/M |
|---------|---------------------------------|-----|------|
| 1 | HANDLE, BOTTOM, TYPE IV | 1 | EACH |
| 2 | HANDLE, TOP, TYPE IV | 1 | EACH |
| 3 | L-BRACKET, METAL | 1 | EACH |
| 4 | SCREW, PAN HEAD, M2.5-0.45X6mm | 5 | EACH |
| 5 | SCREW, PAN HEAD, M2.5-0.45X8mm | 2 | EACH |
| 6 | SCREW, FLAT HEAD, M2.5-0.45X8mm | 1 | EACH |



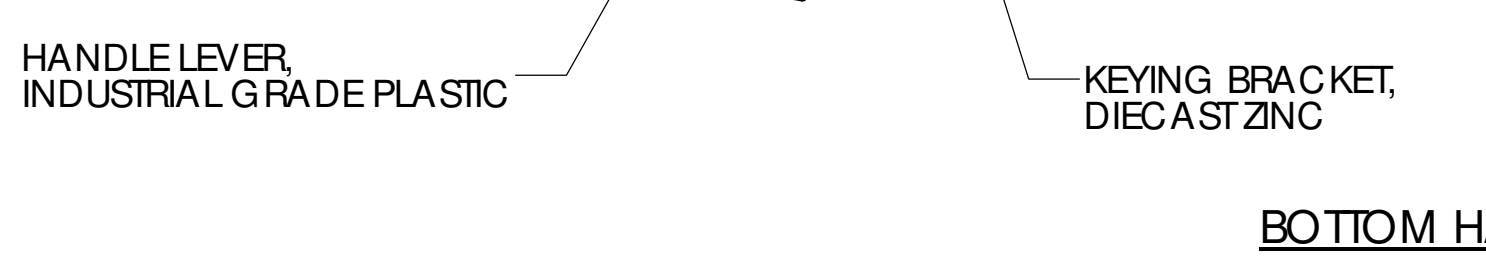
90100002-1 PARTS LIST
(FOR 3U FRONT PANEL ASSEMBLY)

| ITEM NO | DESCRIPTION | QTY | U/M |
|---------|---------------------------------|-----|------|
| 1 | HANDLE, BOTTOM, TYPE IV | 1 | EACH |
| 2 | SCREW, PAN HEAD, M2.5-0.45X6mm | 1 | EACH |
| 3 | SCREW, PAN HEAD, M2.5-0.45X8mm | 1 | EACH |
| 4 | SCREW, PAN HEAD, M2.5-0.45X10mm | 2 | EACH |
| 5 | HEX NUT, M2.5X0.45-6H | 2 | EACH |
| 6 | SCREW, CAPTIVE, M2.5-0.45X11mm | 2 | EACH |
| 7 | WASHER, SPLIT LOCK, #3 | 2 | EACH |



90100002 PARTS LIST
(FOR 3U RIM PANEL ASSEMBLY)

| ITEM NO | DESCRIPTION | QTY | U/M |
|---------|---------------------------------|-----|------|
| 1 | HANDLE, TOP, TYPE IV | 1 | EACH |
| 2 | SCREW, PAN HEAD, M2.5-0.45X6mm | 1 | EACH |
| 3 | SCREW, PAN HEAD, M2.5-0.45X8mm | 1 | EACH |
| 4 | SCREW, PAN HEAD, M2.5-0.45X10mm | 2 | EACH |
| 5 | HEX NUT, M2.5X0.45-6H | 2 | EACH |
| 6 | SCREW, CAPTIVE, M2.5-0.45X11mm | 2 | EACH |
| 7 | WASHER, SPLIT LOCK, #3 | 2 | EACH |



BOTTOM HANDLE DETAIL

EXPLODED VIEW
3U RIM PLUG-IN CARD ASSEMBLY

UNLESS OTHERWISE SPECIFIED:
 DIMENSIONS ARE IN INCHES
 TOLERANCES

| | |
|-----------|--------|
| DEC. XX | ±0.1 |
| DEC. XXX | ±0.03 |
| DEC. XXXX | ±0.010 |
| FRACTIONS | ±0.050 |
| ANGLES | ±1° |

THIRD ANGLE PROJECTION

MATERIAL

FINISH

NAME: DATE: 08/31/12

DRAWN: TRS/HR

CHECKED: BNG

ENG APPR: MFG APPR: Q.A.

COMMENTS:

VECTOR ELECTRONICS & TECHNOLOGY, INC. 11115 VANOWEN ST. NORTH HOLLYWOOD, CA 91655

INJECTOR/EJECTOR HANDLE, TYPE IV 1101.10

SIZE: DWG. NO. **D** IEL-TYPE-IV REV **B**

SCALE: 1:1 CAGE CODE: 82893 SHEET 1 OF 1