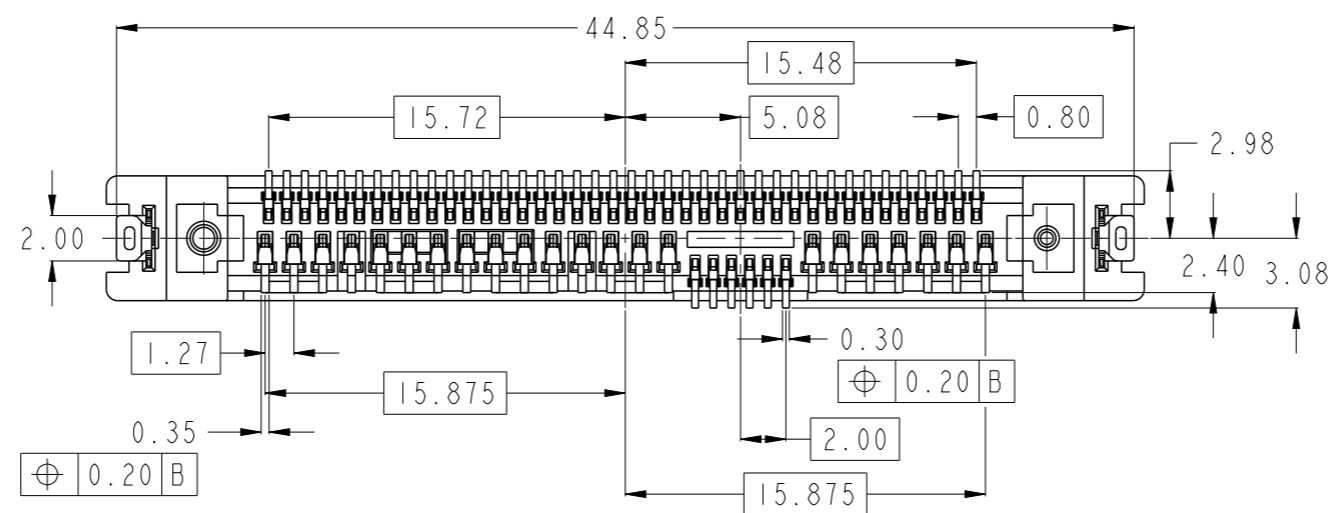
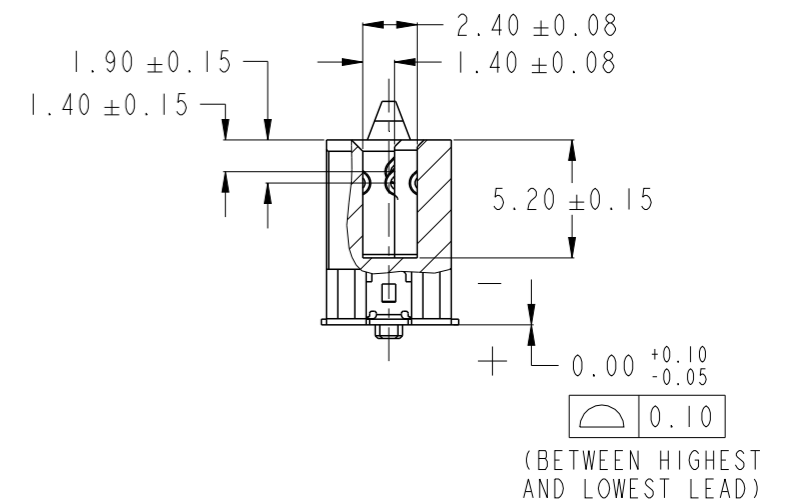
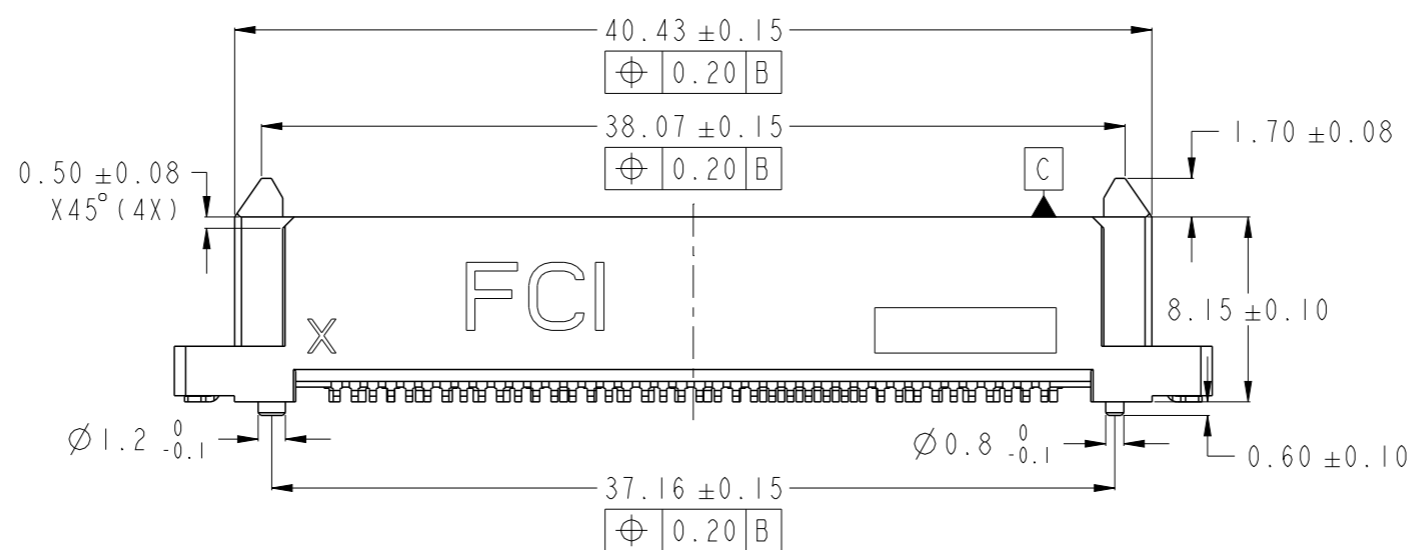
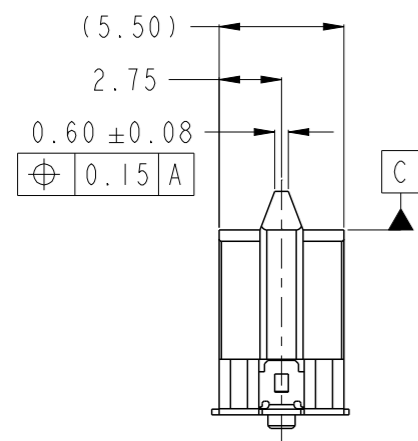
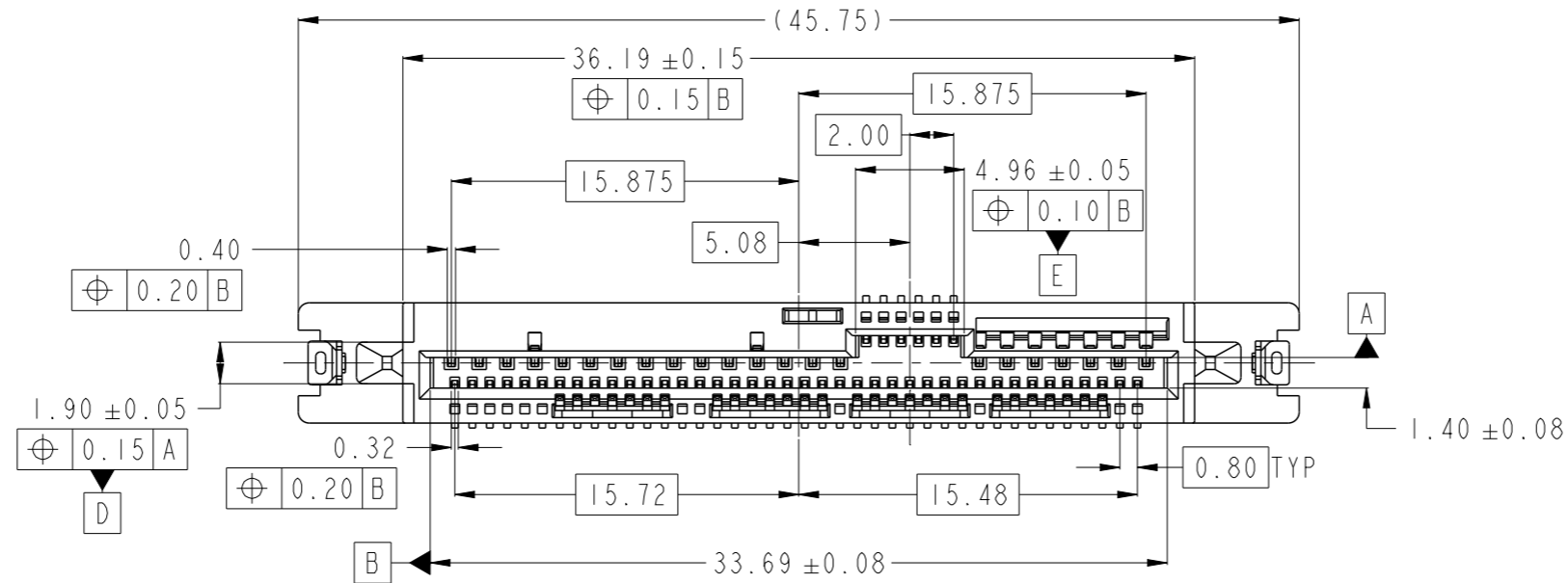


PRODUCT No.
SEE TABLE

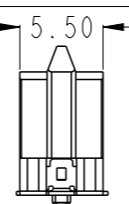


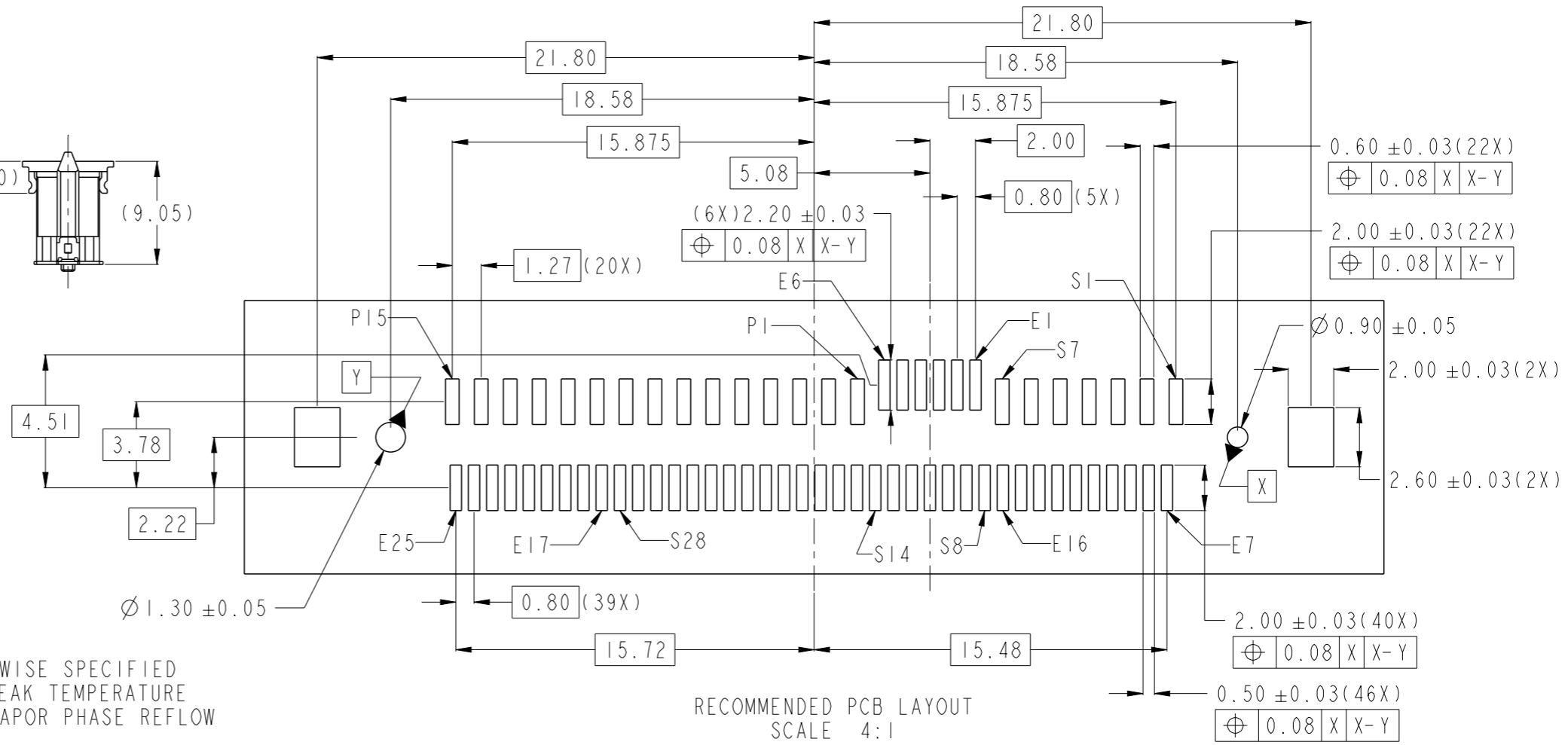
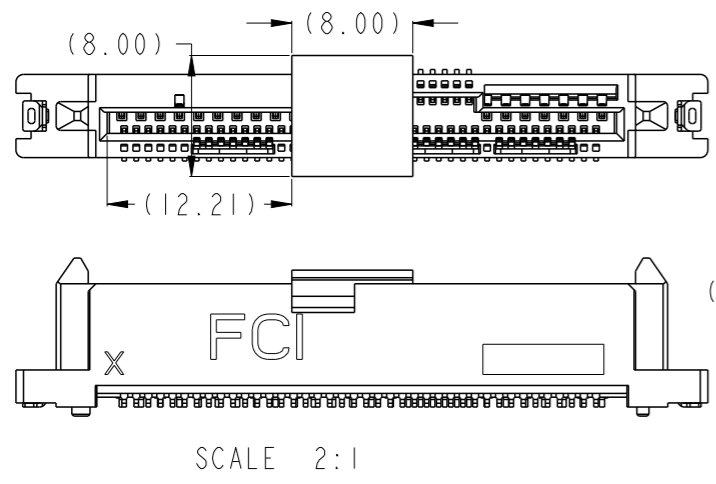
SCALE 3:1


spec ref	-	dr	Koon-Poh Tay	2013/11/06	projection	MM	size	A3	scale	1:1										
tolerance std	TOLERANCES UNLESS OTHERWISE SPECIFIED	eng	Koon-Poh Tay	2015/02/17			ecn no	ELX-S-20267-1												
surface	<table border="1"> <tr> <td>linear</td> <td>0.X</td> <td>±0.30</td> </tr> <tr> <td></td> <td>0.XX</td> <td>±0.20</td> </tr> <tr> <td></td> <td>0.XXX</td> <td>±-</td> </tr> <tr> <td>angular</td> <td>0°</td> <td>±2°</td> </tr> </table>	linear	0.X	±0.30				0.XX	±0.20		0.XXX	±-	angular	0°	±2°	chr	-	product family	-	rel level
linear	0.X	±0.30																		
	0.XX	±0.20																		
	0.XXX	±-																		
angular	0°	±2°																		
		appr	Chen-Hong Tan	2015/03/02			dwg no	10120513		rev	B									
			www.fci.com	cat. no.	-		Product - Customer Drw		sheet 1 of 2											



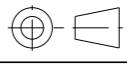
Copyright FCI.

PRODUCT No.	HOLD DOWN	PLATING	PICK UP CAP	PACKAGING	REMARKS
10120513-001LF	2 PCS	NOTE 2	NO	TRAY	
10120513-001CLF			YES		
10120513-001TRLF			NO	TAPE & REEL	
10120513-001C-TRLF			YES		
10120513-002LF			NO	TRAY	
10120513-002CLF			YES		
10120513-002TRLF			NO	TAPE & REEL	
10120513-002C-TRLF			YES		



- NOTES:
- MATERIAL:
 - HOUSING HIGH TEMP THERMOPLASTIC, UL 94V-0 COLOUR: BLACK
 - TERMINAL: COPPER ALLOY
 - HOLD DOWN: COPPER ALLOY
 - FINISH:
 - TERMINAL: 30u" Au PLATING (CONTACT POINT) OVER 50u" NICKEL
 - SOLDER TAIL: 100u" MIN Sn OVER 50u" NICKEL
 - HOLD DOWN: 100u" MIN Sn OVER 50u" NICKEL
 - PER SFF REV 2.2, EXCEPT 0.8mm PITCH BUMP AREA
 - THE STANDARD PACKAGING IS IN TRAY UNLESS OTHERWISE SPECIFIED
 - THE HOUSING WILL WITHSTAND EXPOSURE TO 260°C PEAK TEMPERATURE FOR 10 SECONDS IN A CONVECTION, INFRA-RED OR VAPOR PHASE REFLOW OVEN.
 - THIS PRODUCT MEETS EUROPEAN UNION DIRECTIVES AND OTHER COUNTRY REGULATIONS AS DESCRIBED IN GS-47-0004.
 - PART NUMBER ENDING IN "LF" MEANS FOR NOTE 8 LEAD FREE IDENTIFICATION.
 - A  SYMBOL WILL BE NEXT TO ANY DIMENSION, VIEW, OR NOTE WHICH HAS BEEN MODIFIED WITH THE CURRENT DRAWING REVISION.

Copyright FCI.

spec ref	-	dr	Koon-Poh Tay	2013/11/06	projection	MM	size	A3	scale	1:1
tolerance std	TOLERANCES UNLESS OTHERWISE SPECIFIED	eng	Koon-Poh Tay	2015/02/17		← →	ecn no	ELX-S-20267-1	rel level	Released
-	-	chr	-	-						
surface	linear	appr	Chen-Hong Tan	2015/03/02	product family		SAS/PCIe RECEPTACLE		dwg no	10120513
-	angular	www.fci.com		cat. no.	Product - Customer Drw		sheet 2 of 2		rev	B