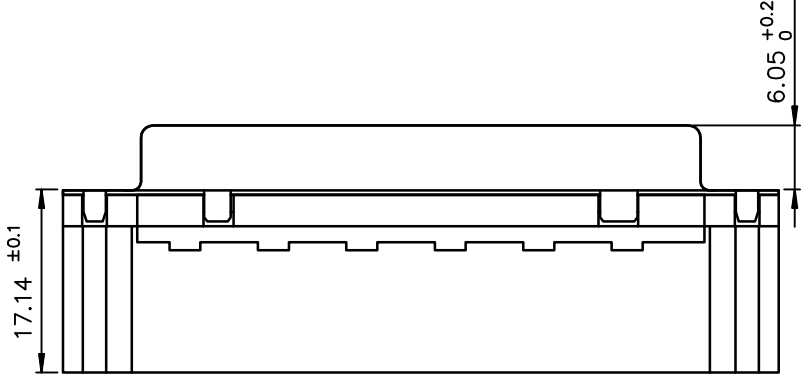
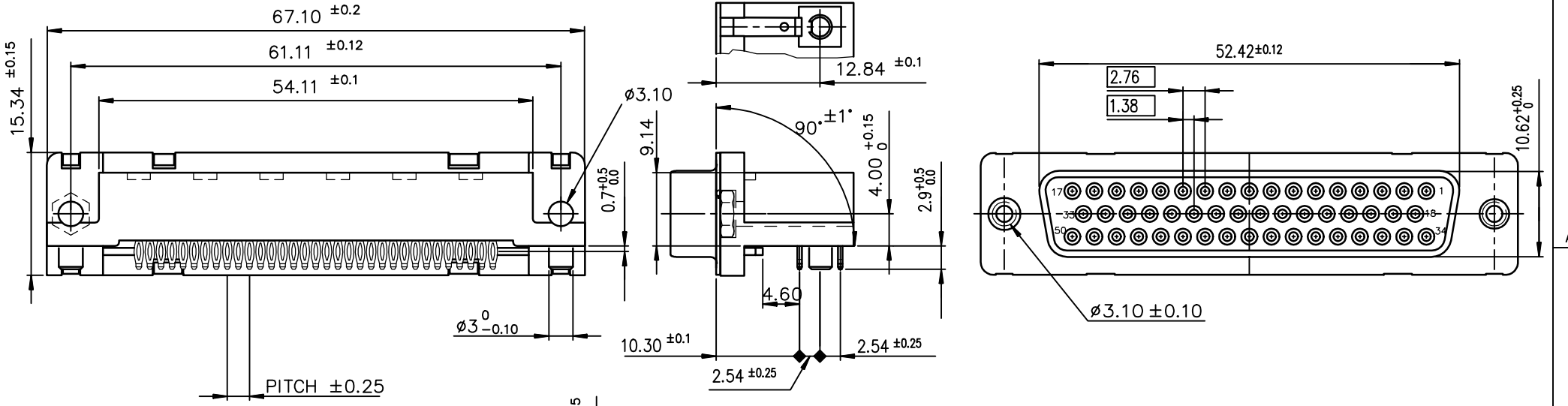
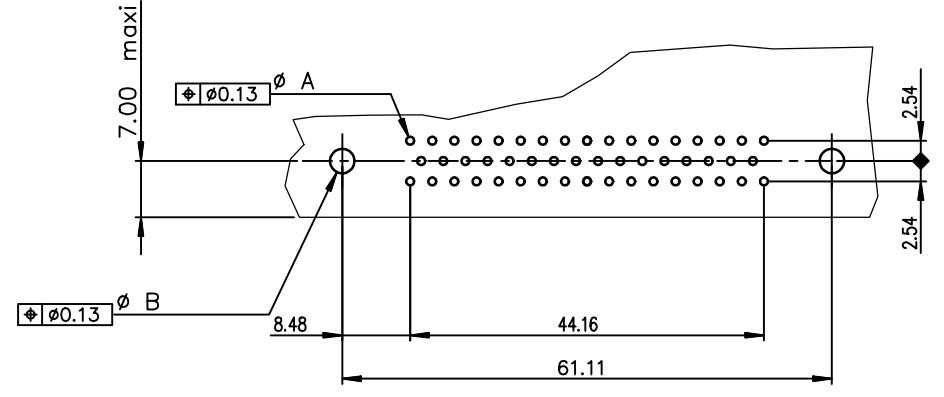


VIEW F



PC card drilling dimensions(after plating) scale:1.5
(thickness 1.60 ±0.10mm)



TIN LEAD PART NUMBER

D50S82C4PA00	D50S82C6PA00
Gold flash	0,76 » gold

LEAD FREE PART NUMBER

D50S82C4PA00LF	D50S82C6PA00LF
Gold flash	0,76 » gold

GENERAL CHARACTERISTICS AND ROHS INFORMATIONS:
SEE DRAWING C01-8646-0001

mat'l. code		surface		tolerance		projection		product family	
-		ISO 1302 ✓		ISO 406 ISO 1101				D-SUB	
ltr	ecn no	dr	date	tolerances unless otherwise specified				title	
G	ELX-17859	MP	2014/06/06	angles	linear	MM		DELTA-D EUROSTYLE FEMALE	
				0°±2'		scale 2:1		RIGHT ANGLED PRESS FIT	
		dr	PESSON	1995/03/17				dwg no	
		enr	MITHUN PAUL	2014/06/06				sheet 1 of 1 size	
		chr	ALIAS BABU	2014/06/06				C01-8646-0398 A3	
		appd	BIJU K PAUL	2014/06/06				type Product Customer Drawing	
sheet index	revision sheet	G	1						



Copyright FCI