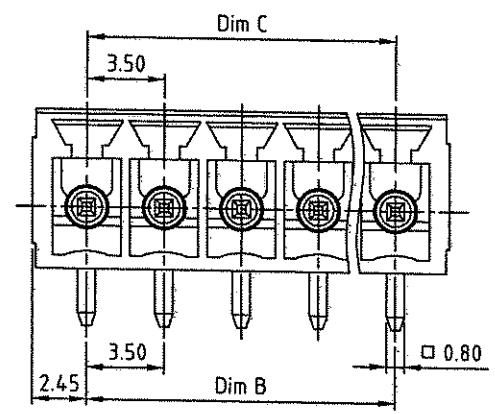
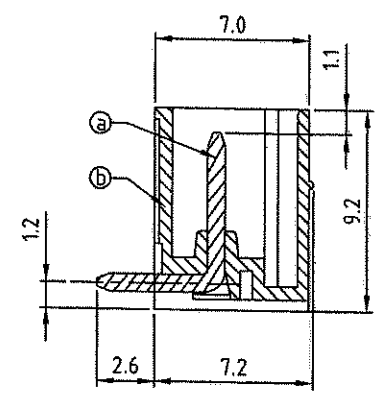
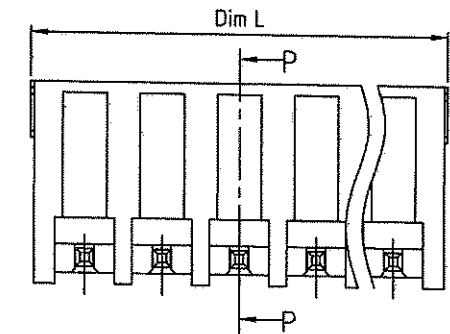


SIGN	DATE	DESCRIPTION	APPROVER
△			
THIS IS CAD DRAWING, DO NOT REVISE MANUALLY!!!			



- Material:
- Item ② Male contact pin: Copper Bright Tin plated over Nickel plated
  - Item ③ Terminal(housing): LCP (UL94V-0)
- Electrical: cULus
- Voltage rating: 300V
  - Current rating: 10A
  - Withstanding Voltage: 1.6KV
  - Operating temperature: -45°C to +130°C
  - Reflow soldering temperature: 260°C/10 Sec Max.
  - Safety Approval: cULus



OQ xx 1 G 0 1 xxxx G

No. OF POLES

- 02: 2 POLES
- 03: 3 POLES
- ...
- 16: 16 POLES

0 Black (RAL9005)

G RoHS compliant (lead<4%) in copper Alloy

0000: "@" Logo (Standard)

000A: "ANYTEK" Mark

Any special item by customer request. please contact sales department.

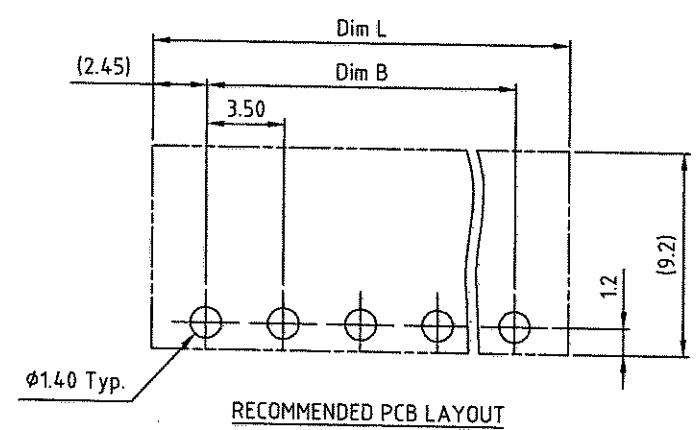


SECTION P-P

N=Number of poles

Dim L	$(N-1) \times 3.50 + 4.9$
Dim B	$(N-1) \times 3.50$
Dim C	$(N-1) \times 3.50$

Poles	Dim B&Dim C	Dim L
2p	±0.10	±0.15
3p-6p	±0.15	±0.15
7p-12p	±0.20	±0.20
13p-16p	±0.30	±0.30



<b>Amphenol ANYTEK</b>				<b>CUSTOMER COPY</b>	
ALL RIGHTS RESERVED. REPRODUCTION OR ISSUE TO THIRD PARTIES IN ANY FORM WHATSOEVER IS NOT PERMITTED WITHOUT WRITTEN AUTHORITY FROM THE PROPRIETOR. PROPERTY OF ANYTEK TECHNOLOGY CO., LTD.					
TITLE	OQ 3.50mm 90° Series Close THR				
PART NO.	OQxx1G01xxxxG	DWG NO.	80Q0C17		
APPROVED	CHECKED	DESIGNED	DRAWN	CUST NO.	Tolerance
		CHENMING	CHENMING		UNIT: mm
		10/22-16	10/22-16		SCALE: NONE
					REV.: B
SHEET: 01/01				X	±0.50
				X.X	±0.30
				X.XX	±0.10
				X°	±1°