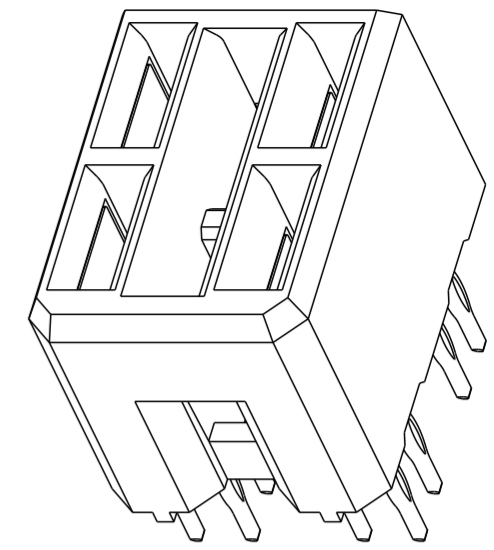
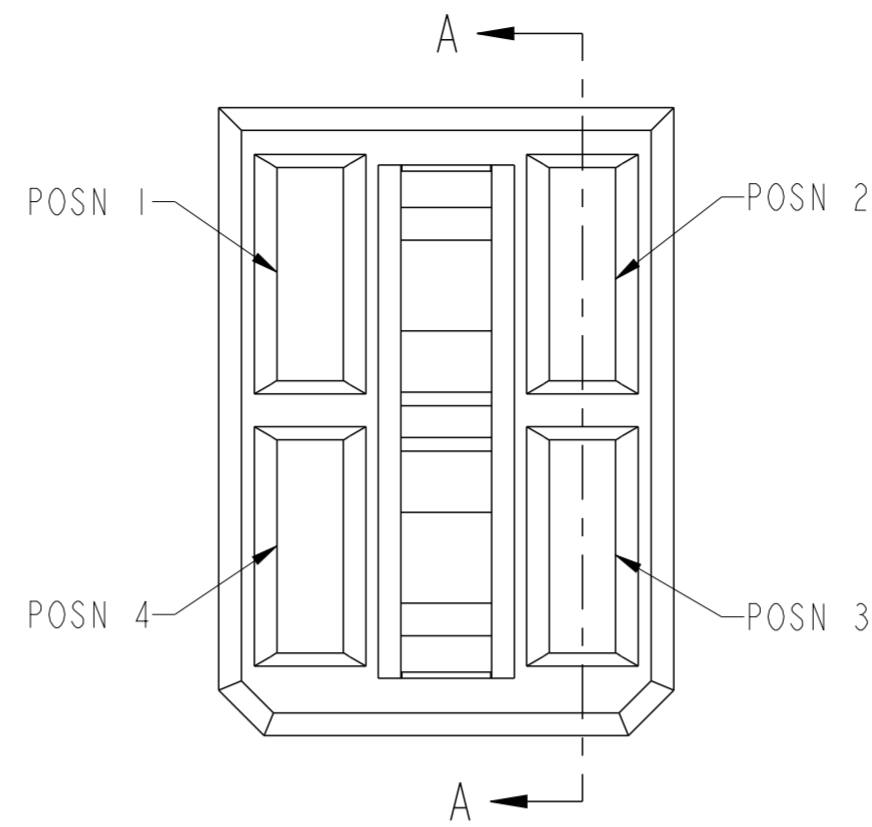
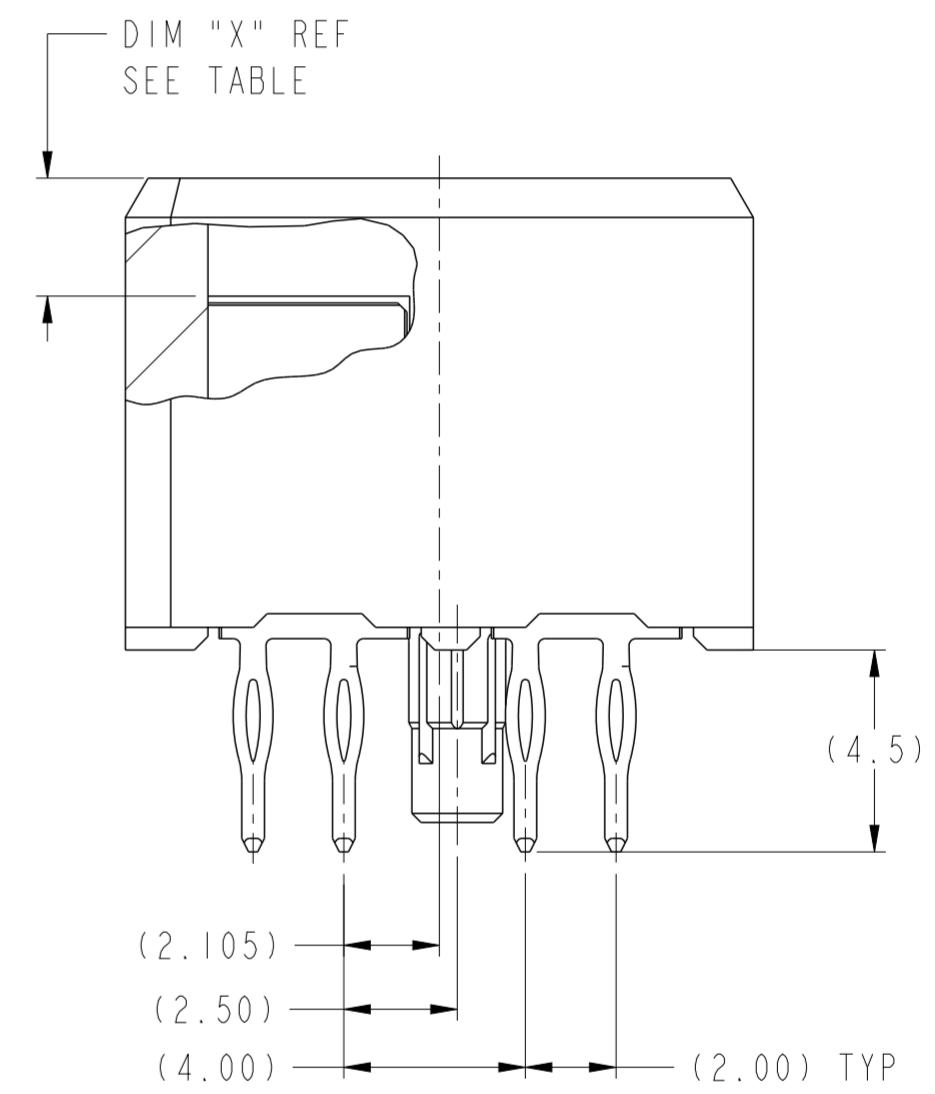
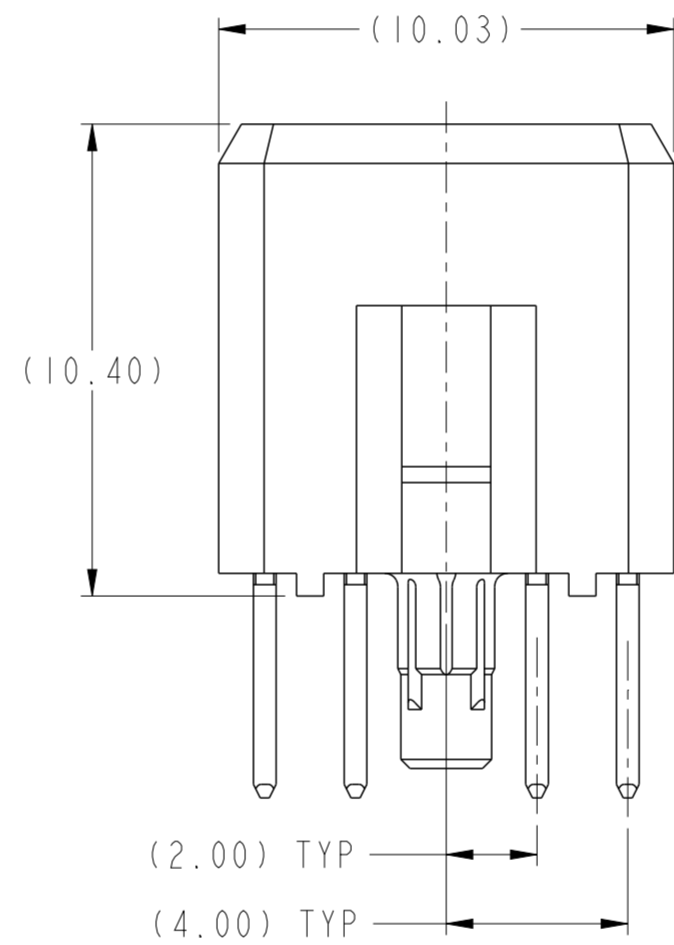
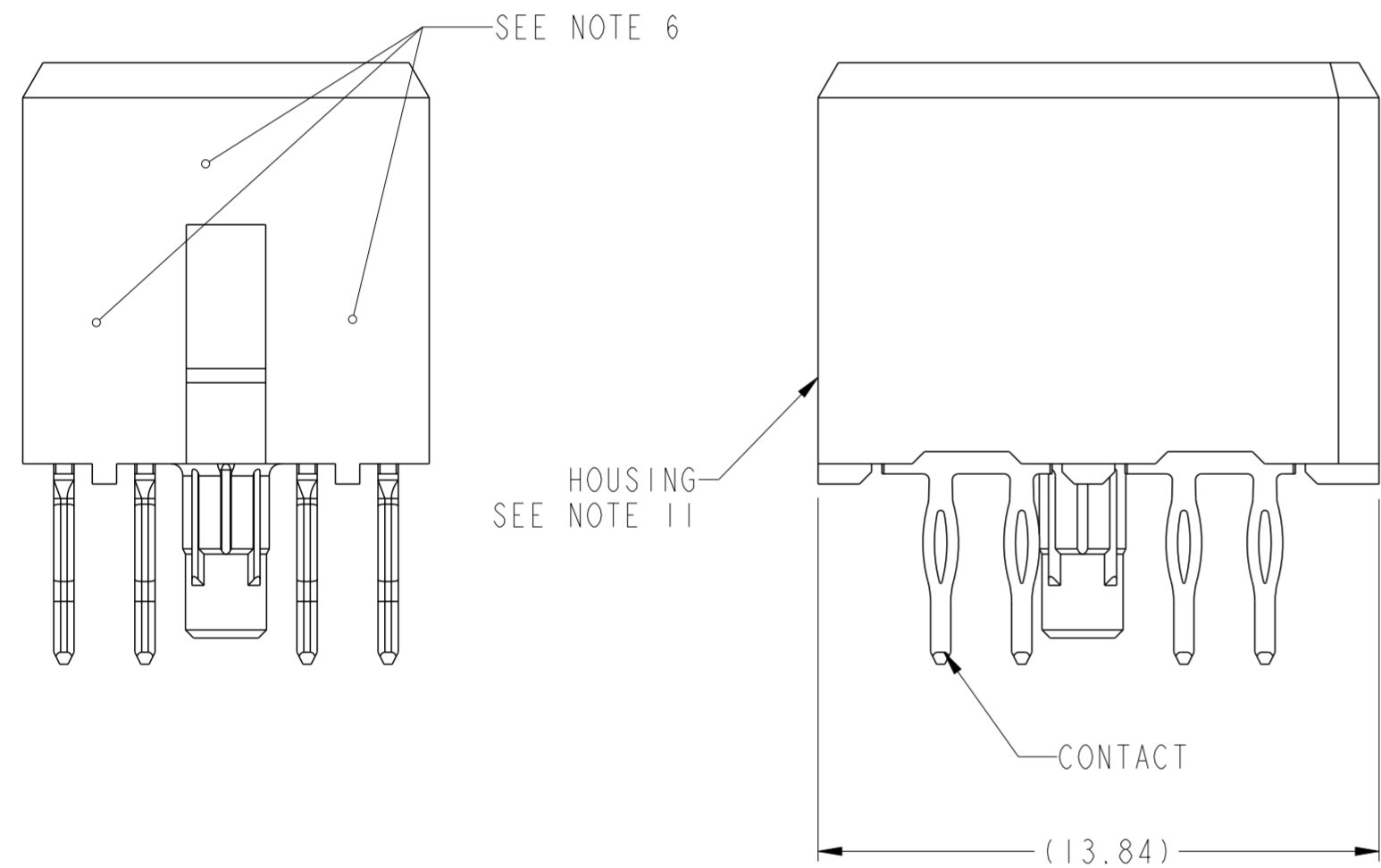


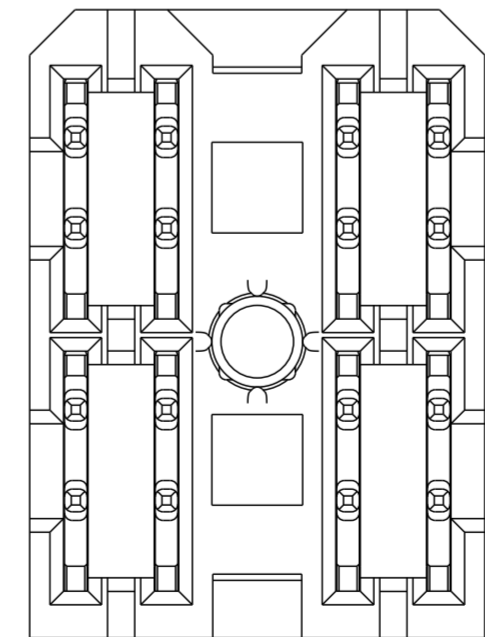
PRODUCT NUMBER ("LF" DENOTES LEAD-FREE)	CONTACT PLATING NOTE	MATING LENGTH, DIM "X"				ROHS COMPATIBILITY
		POSN 1	POSN 2	POSN 3	POSN 4	
10124098-4554P00LF	3	1.10	2.60	2.60	1.10	SEE NOTE 9



SCALE 4:1



SECTION A-A



spec ref	GS-12-220	dr	Lin-Soe Ngwe	2013/01/20	projection	MM	size	A2	scale	6:1	
tolerance std	ASME Y14.5	eng	Jackie Chen	2016/04/12			ecn no	ELX-DG-23855-1	rel level	Released	
TOLERANCES UNLESS OTHERWISE SPECIFIED		chr	-	product family							2mm High Power
surface	3.2	appr	Pai-Ming Zheng	2016/04/19							title
ASME Y14.5	angular	0°	±2°	linear	0.X ±.3	0.XX ±.1	0.XXX ±.05	cat. no.	-	Product - Customer Drw	sheet 1 of 2

PDS: Rev :D

STATUS:Released

Printed: Apr 20, 2016

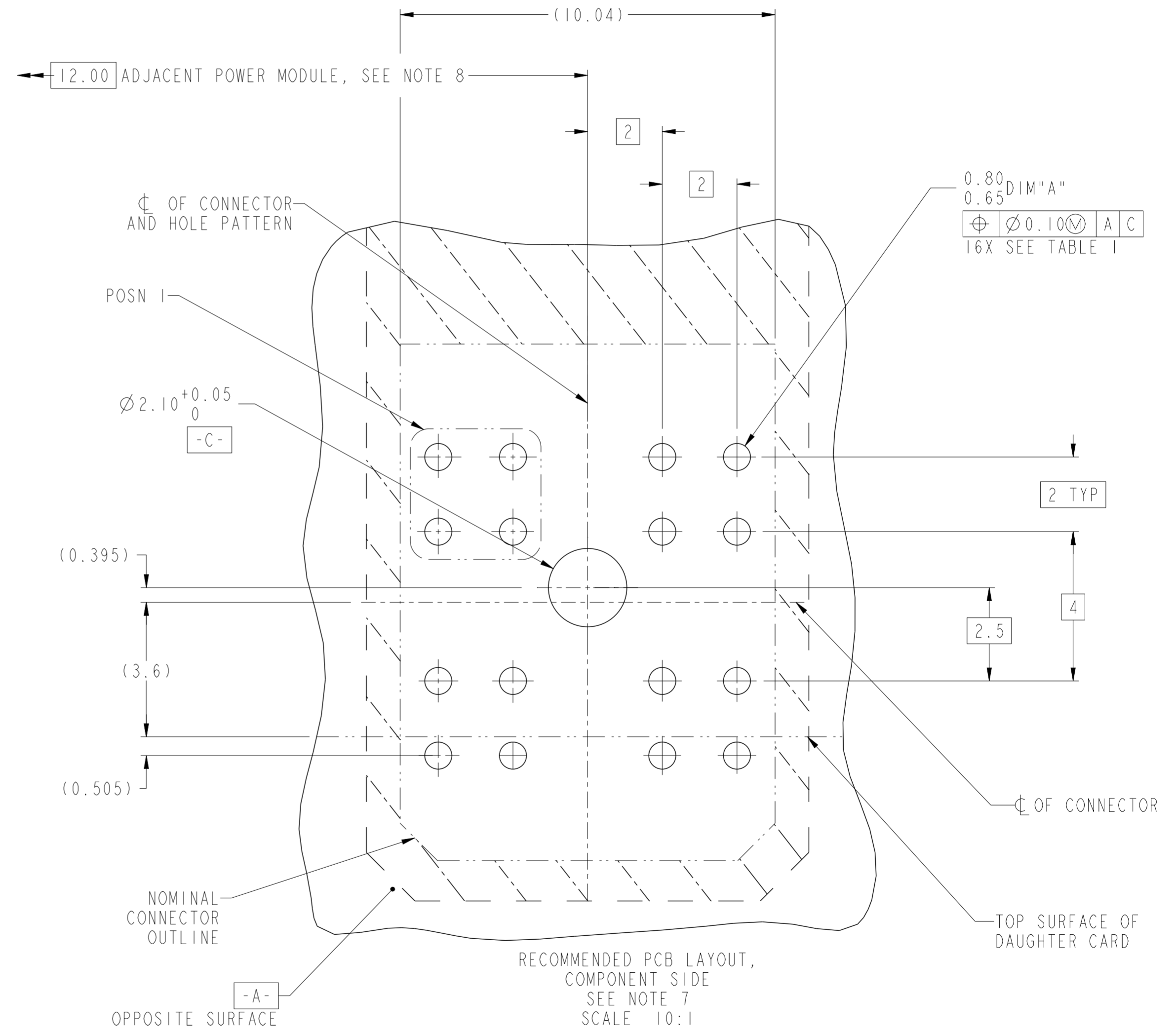
Amphenol FCI

© 2016 AFCl

TOP LAYER DESCRIPTION	TABLE 1 PLATED THROUGH-HOLE REQUIREMENTS							
	DRILLED HOLE DIAMETER	COPPER THICKNESS	TIN-LEAD THICKNESS	NICKEL THICKNESS	GOLD THICKNESS	TIN THICKNESS	SILVER THICKNESS	FINISHED HOLE DIAMETER
TIN-LEAD	0.81-0.86 (0.85 DRILL)	0.025 - 0.050	0.005 - 0.015	--	--	--	--	0.65 - 0.80
IMMERSION TIN	0.81-0.86 (0.85 DRILL)	0.025 - 0.050	--	--	--	0.9 - 1.5um	--	0.70 - 0.80
IMMERSION SILVER	0.81-0.86 (0.85 DRILL)	0.025 - 0.050	--	--	--	--	0.15 - 0.65um	0.70 - 0.80
COPPER (SEE NOTE 12)	0.81-0.86 (0.85 DRILL)	0.025 - 0.050	--	--	--	--	--	0.70 - 0.80
GOLD	0.81-0.86 (0.85 DRILL)	0.025 - 0.050	--	0.003 - 0.007	FLASH UP TO 0.0002	--	--	0.69 - 0.80

NOTES:

- CONNECTOR MATERIALS:
HOUSING: HIGH TEMPERATURE THERMOPLASTIC, BLACK
UL 94V-0 COMPLIANT
CONTACT: HIGH PERFORMANCE COPPER ALLOY
- CONTACT PLATING:
PRESS-FIT TAIL: NOT APPLICABLE
SEPARABLE INTERFACE: NOT APPLICABLE
- CONTACT PLATING (LEAD-FREE):
PRESS-FIT TAIL: 0.5um MIN MATTE TIN OVER 0.5um MIN NICKEL.
SEPARABLE INTERFACE: 0.76um MIN GXT OVER 2.54um MIN NICKEL.
CONTACT LUBRICANT: ZIPCHEM.
- PRODUCT SPECIFICATION: GS-12-220
- APPLICATION SPECIFICATION: GS-20-023
- PRODUCT MARKING (PRODUCT NUMBER & LOT CODE) ON HOUSING IN AREA SHOWN, EITHER SIDE.
- MINIMUM NOMINAL BOARD THICKNESS: 2.4mm
- REFER TO CUSTOMER DRAWING SKI0035911 FOR INFORMATION REGARDING PCB LAYOUT OF POWER AND GUIDE MODULES RELATIVE TO AIRMAX SIGNAL MODULES.
- PRODUCT MEETS EUROPEAN UNION DIRECTIVES AND OTHER COUNTRY REGULATIONS AS DESCRIBED IN FCI SPECIFICATION GS-22-008.
- PACKAGING MEETS FCI SPECIFICATION GS-14-920
- HOUSING COMPONENT WILL WITHSTAND EXPOSURE TO 260° PEAK TEMPERATURE FOR 60 SECONDS IN A CONVECTION, INFRA-RED OR VAPOR-PHASE REFLOW OVEN.
- COPPER PLATING THICKNESS AT CENTER OF VIA HOLE CAN BE NO MORE THAN 0.003 LESS THAN OTHER AREAS.



Amphenol FCI

© 2016 AFCI

spec ref	GS-12-220	dr	Lin-Soe Ngwe	2013/01/20	projection	MM	size	A2	scale	3:1	
tolerance std	ASME Y14.5	eng	Jackie Chen	2016/04/12	chr	-	ecn no	ELX-DG-23855-1	rel level	Released	
surface	linear	0.X	±.3	0.XX	±.1	0.XXX	±.05	angular	0°	±2°	
TOLERANCES UNLESS OTHERWISE SPECIFIED		Amphenol FCI		VERTICAL RECEPTACLE ASSY, 2X2		AirMax Power		10124098		rev	D
ASME Y14.5		cat. no.		Product - Customer Drw		sheet 2 of 2					

PDS: Rev :D

STATUS:Released

Printed: Apr 20, 2016