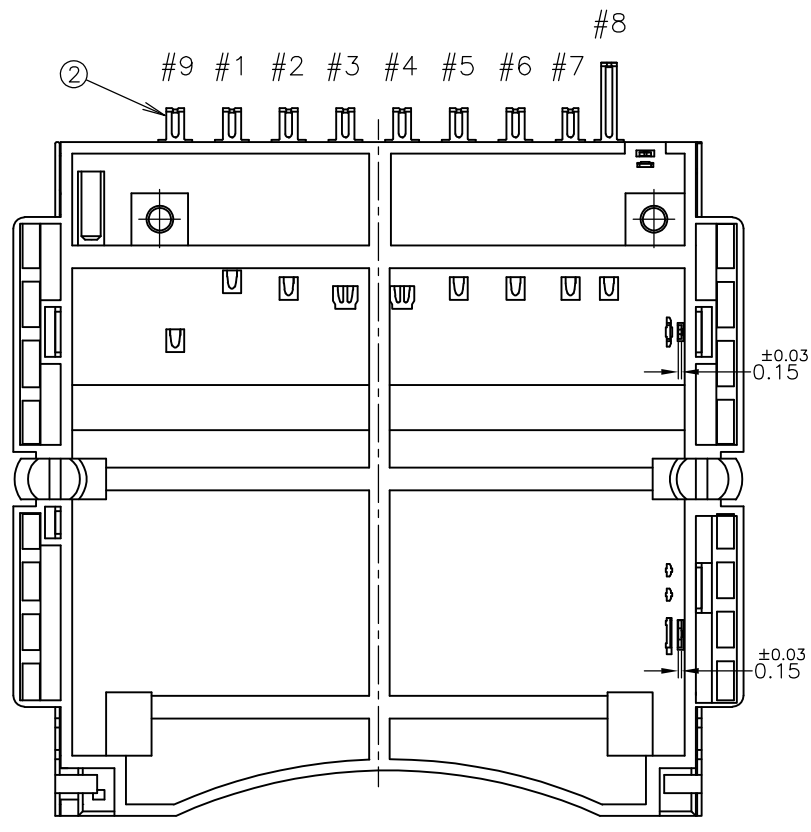
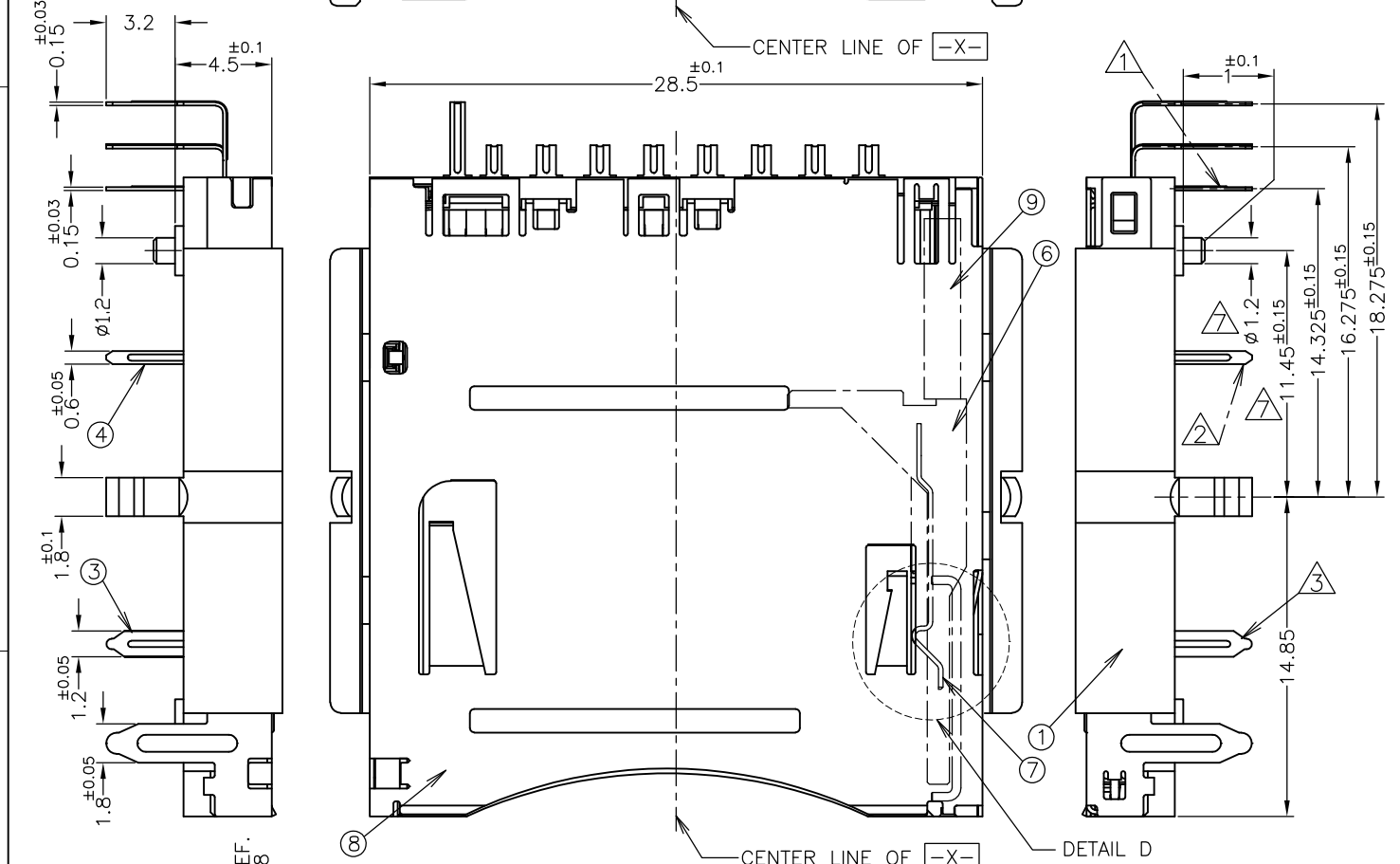


CARD LOCATION WHEN OPERATING



ITEM	DESCRIPTION	MATERIAL	FINISH	QTY
⑩	CAM ROD	SUS	-	1
⑨	COIL SPRING	SWP	-	1
⑧	SHELL	COPPER ALLOY OR SUS	TIN PLATE	1
⑦	HOOK SPRING	SUS	-	1
⑥	SLIDER	THERMOPLASTIC	-	1
⑤	SWITCH C	COPPER ALLOY	Au ON CONTACT AREA AND SOLDER TINE OVER NI.	1
④	SWITCH B	COPPER ALLOY	Au ON CONTACT AREA AND SOLDER TINE OVER NI.	1
③	SWITCH A	COPPER ALLOY	Au ON CONTACT AREA AND SOLDER TINE OVER NI.	1
②	CONTACT	COPPER ALLOY	Au ON CONTACT AREA AND SOLDER TINE OVER NI.	1
①	HOUSING	THERMOPLASTIC	-	1

注記
 △ カード認識スイッチ用
 △ コモン端子用
 △ ライトプロテクトスイッチ用
 4 カード挿入時の接触の順番
 PIN #3,4 — PIN #2,5,6,7,8,9
 カード認識スイッチ — PIN #1
 △ スwitchの回路図
 6 本製品は浸漬による洗浄は行わないこと。
 △ ボス無しタイプには、適用なし。
 △ 材料&仕上げはテーブルを参照のこと。

NOTE
 △ FOR CARD DETECT SWITCH
 △ FOR COMMON TERMINAL
 △ FOR WRITE PROTECT SWITCH
 4 THE SEQUENCE OF CONTACT DURING CARD INSERTION
 PIN #3,4 — PIN #2,5,6,7,8,9
 CARD DETECT SWITCH — PIN #1
 △ CIRCUIT DRAWING OF SWITCH
 6 DON'T WASH BY IMMERSING THE CONNECTOR IN FLUID
 △ NO APPLIED TO WITHOUT BOSS TYPE.
 △ REFER TO THE TABLE FOR MATERIAL AND FINISH.

THIS DRAWING IS A CONTROLLED DOCUMENT.

DIMENSIONS: 単位: 耗 MM TOLERANCES UNLESS OTHERWISE SPECIFIED: 一般公差

0 PLC	± 0.3
1 PLC	± 0.3
2 PLC	± 0.3
3 PLC	± 0.3
4 PLC	± 0.3
ANGLES	± 3'

MATERIAL 材料 FINISH 仕上

DWN T.AOKI 15JULY2005
 CHK Y.UCHIKAWA 15JULY2005
 APVD T.KUSUHARA 15JULY2005
 PRODUCT SPEC 製品規格 108-78401
 APPLICATION SPEC 取付適用規格

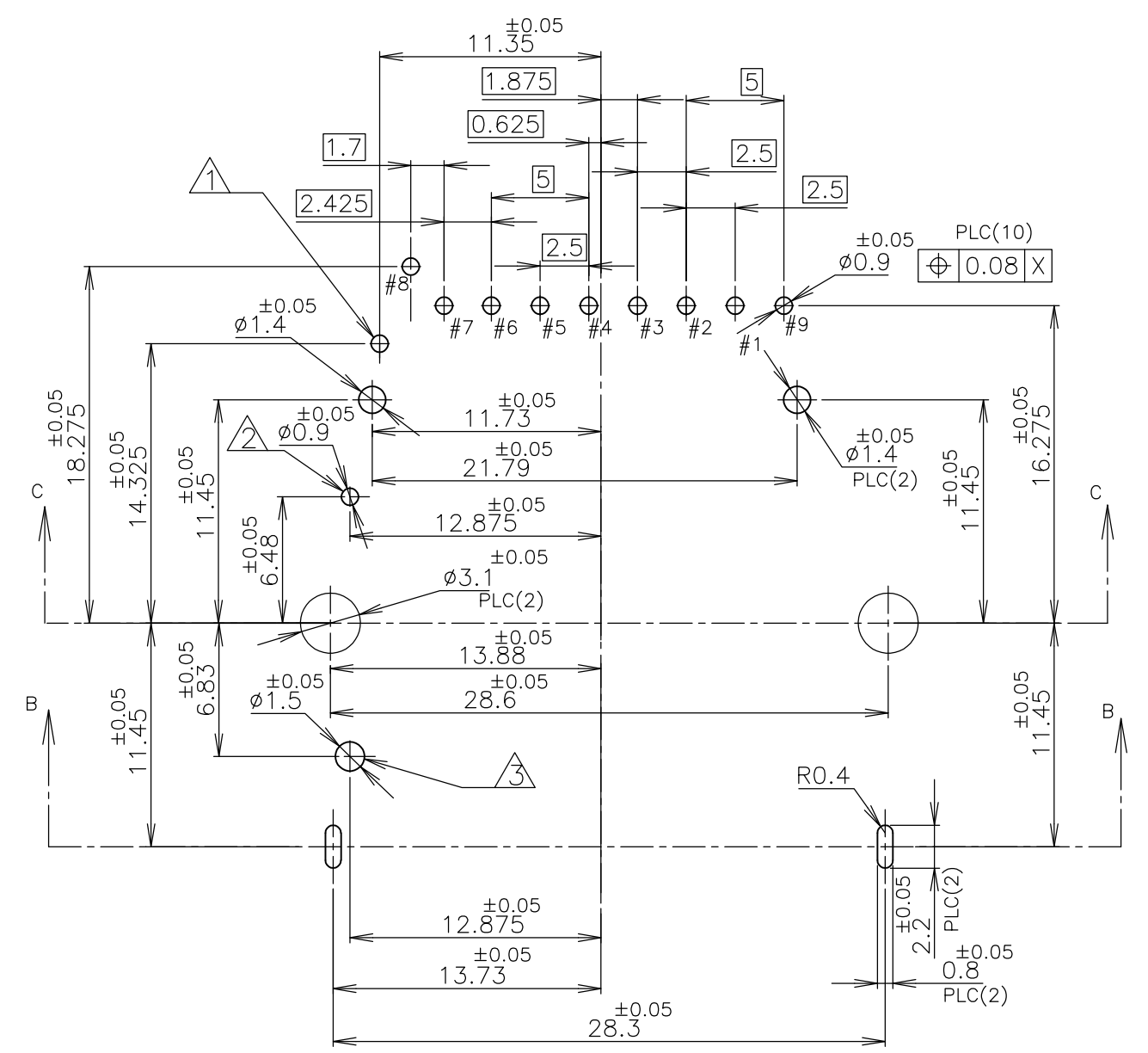
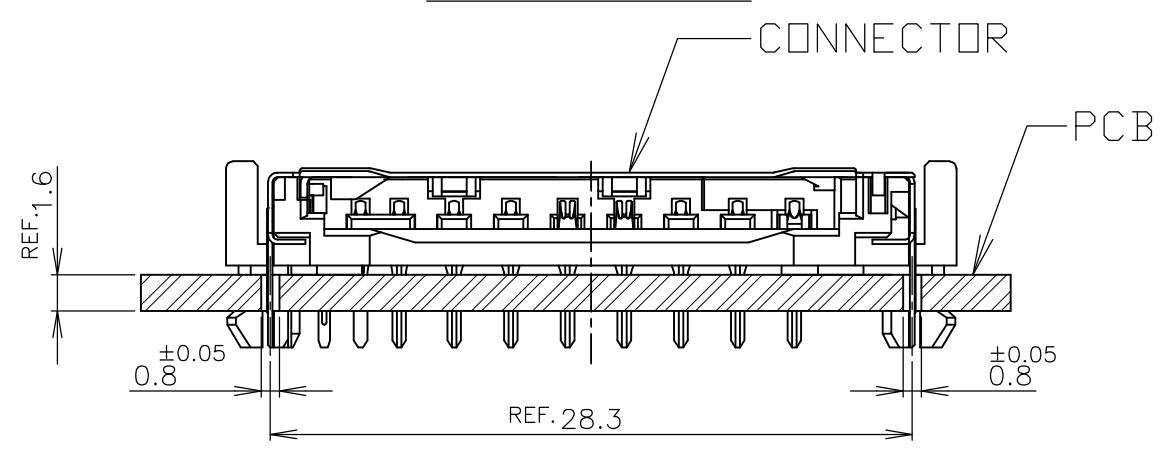
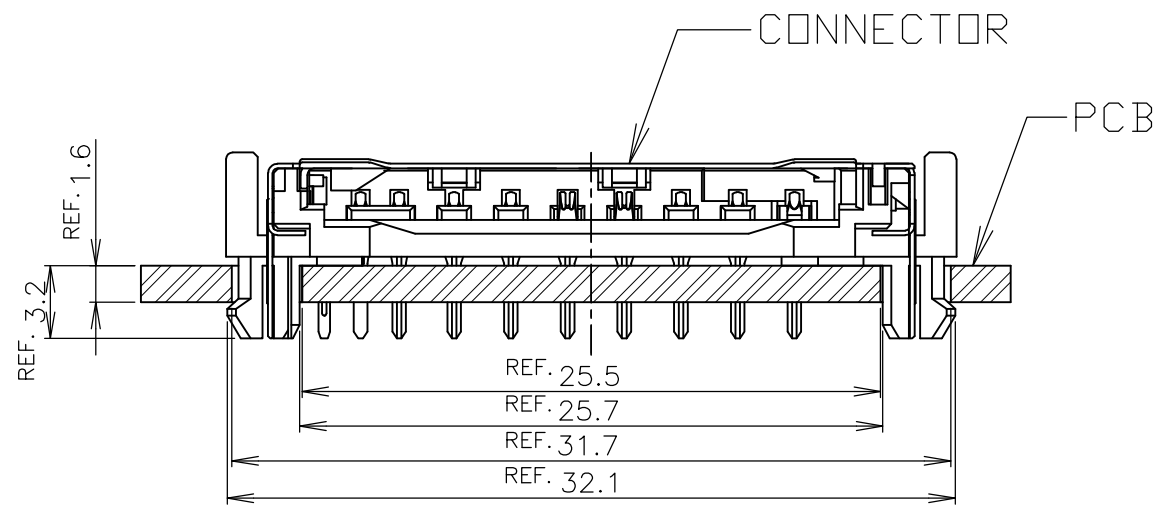
NAME 名称 SD MEMORY CARD CONNECTOR
 PUSH PUSH TYPE
 STANDARD DIP MOUNT

SIZE A3 CAGE CODE 00779 DRAWING NO 1903572 RESTRICTED TO

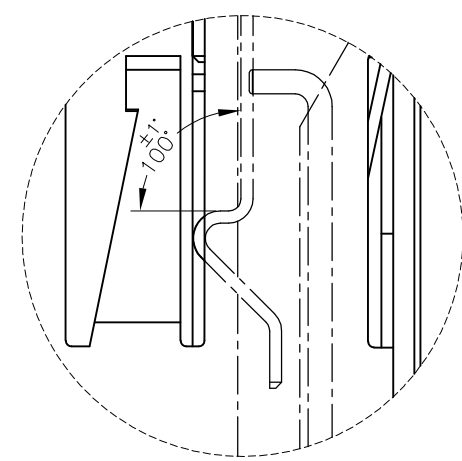
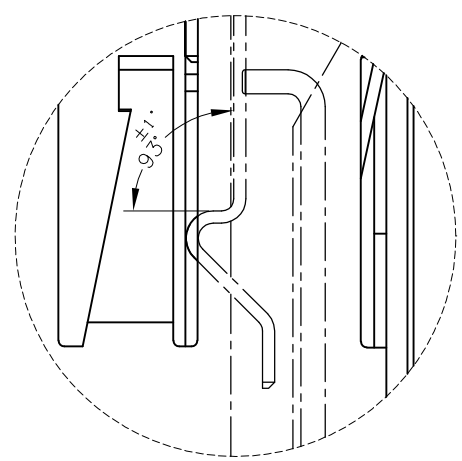
WEIGHT CUSTOMER DRAWING SCALE 尺度 3:1 SHEET 1 OF 3 REV F

THIS DRAWING IS UNPUBLISHED. RELEASED FOR PUBLICATION MAR , 2003.
 © COPYRIGHT 2004 By - ALL RIGHTS RESERVED.

LOC	DIST	REVISIONS					
J		P	LTR	DESCRIPTION	DATE	DWN	APVD
		-		SEE SHEET 1	-	-	-



ANGLE OF HOOK SPRING



ANGLE OF HOOK SPRING UNIT.
-1,-2 : AS SHOWN

ANGLE OF HOOK SPRING UNIT.
-3,-4 : AS SHOWN

DETAIL D

WITHOUT	SUS	100°±1'	WITH	1903572-4
WITH	COPPER ALLOY	100°±1'	WITH	1903572-3
WITH	COPPER ALLOY	93°±1'	WITHOUT	1903572-2
WITH	COPPER ALLOY	93°±1'	WITH	1903572-1
ANTI-FLUX MIGRATION AGENTS	MATERIAL OF SHELL	ANGLE OF HOOK SPRING	BOSS	PART NUMBER

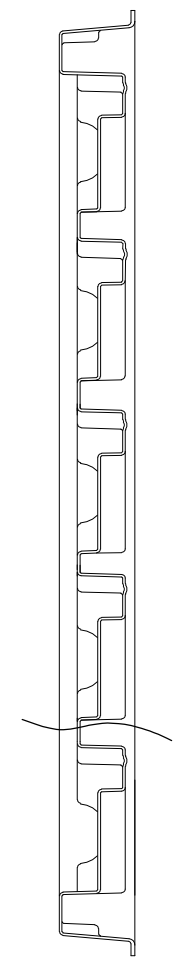
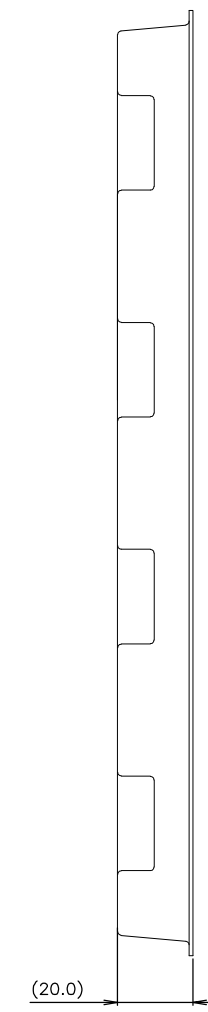
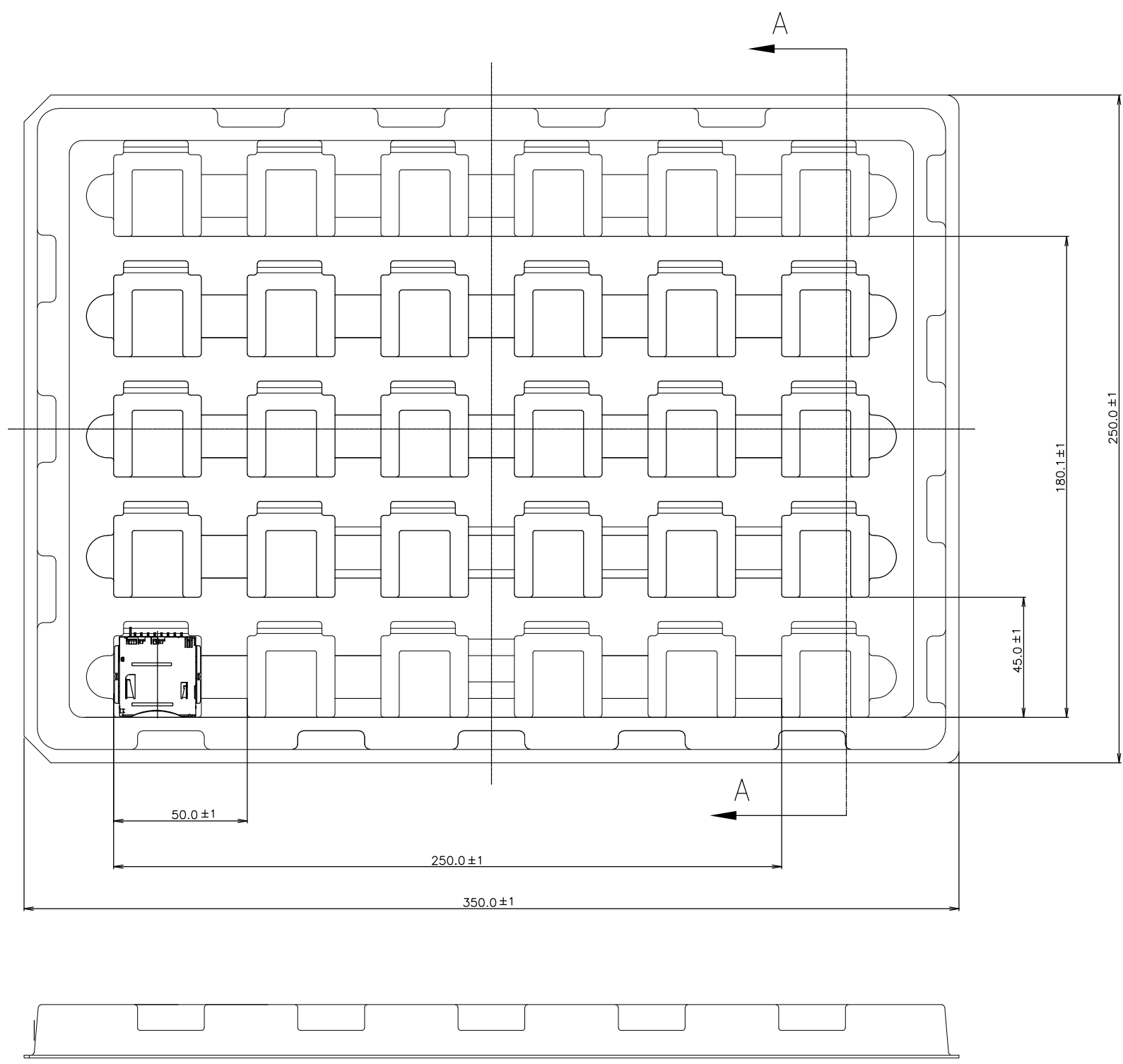
PCB LAYOUT(REFERENCE)
(VIEWED FROM CONNECTOR MOUNT SIDE)

THIS DRAWING IS A CONTROLLED DOCUMENT.

DIMENSIONS: 単位: 耗 MM	TOLERANCES UNLESS OTHERWISE SPECIFIED: 一般公差	DWN	TE Connectivity	
0 PLC ± 0.3	1 PLC ± 0.3	CHK	NAME 名称	
2 PLC ± 0.3	3 PLC ± 0.3	APVD	SD MEMORY CARD CONNECTOR PUSH PUSH TYPE STANDARD DIP MOUNT	
4 PLC ± 0.3	ANGLES ± 3'	PRODUCT SPEC 製品規格	SIZE	CAGE CODE
MATERIAL 材料	FINISH 仕上	APPLICATION SPEC 取付適用規格	A3	00779
CUSTOMER DRAWING		WEIGHT	DRAWING NO 番号	RESTRICTED TO
			G-1903572	
		SCALE 尺度 3:1	SHEET 2 OF 3	REV F

THIS DRAWING IS UNPUBLISHED. RELEASED FOR PUBLICATION MAR , 2003.
 © COPYRIGHT 2004 By - ALL RIGHTS RESERVED.


LOC	DIST	REVISIONS		
J	/	P	LTR	DESCRIPTION
		-		SEE SHEET 1
				DATE
				DWN
				APVD



SECTION A-A

30個/トレイ
 30EA/TRAY

-1,-2,-3,-4 :AS SHOWN

THIS DRAWING IS A CONTROLLED DOCUMENT.		DWN	 TE Connectivity		
DIMENSIONS: 単位: 耗 MM		CHK	NAME 名称		
TOLERANCES UNLESS OTHERWISE SPECIFIED: 一般公差		APVD	SD MEMORY CARD CONNECTOR		
0 PLC ± 0.3		PRODUCT SPEC 製品規格		PUSH PUSH TYPE	
1 PLC ± 0.3		APPLICATION SPEC 取付適用規格		STANDARD DIP MOUNT	
2 PLC ± 0.3		SIZE	CAGE CODE	DRAWING NO	RESTRICTED TO
3 PLC ± 0.3		A3 00779		G-1903572	
4 PLC ± 0.3		CUSTOMER DRAWING		SCALE 尺度 1:2	SHEET 3 OF 3
ANGLES ± 3'				REV F	
MATERIAL 材料	FINISH 仕上	WEIGHT			