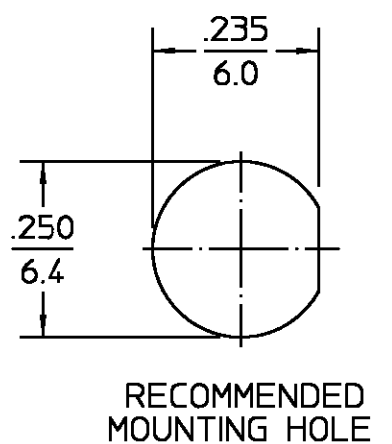


DESIGNED FOR USE WITH .141 DIA S/R CABLE	
CABLE ENTRY DIAMETER MINIMUM	
HOUSING	.143
CONTACT	.036



REVISIONS			
REV	DESCRIPTION	DATE	APPROVED
012	REDRAWN IN CAD PER ECN 98-0001	PATLAN 2/17/98	<i>[Signature]</i>

ELECTRICAL	MECHANICAL	ENVIRONMENTAL
Nominal Impedance (Ohms) <u>50</u>	Interface Dimensions MIL-STD-348A, Fig. 310.2	Temperature Rating <u>-65°C to +165°C</u>
Frequency Range (GHz) DC to <u>18</u>	Recommended Mating Torque <u>N/A</u>	Vibration MIL-STD-202, Method 204, Condition G
Volt Rating (VRMS MAX) @ Sea Level <u>500</u>	Mating Characteristics: Insertion (MAX Lbs) <u>2.0</u>	Shock MIL-STD-202, Method 213, Condition I
VSWR <u>1.05+0.01f(GHz)</u>	Withdrawal (MIN Oz) <u>1.0</u>	Thermal Shock MIL-STD-202, Method 107, Condition B,
Insertion Loss (dB MAX) <u>03 √f(GHz)</u>	Force to Engage and Disengage (In-Lbs MAX) <u>2.0</u>	Except High Temp shall be +115°C
RF Leakage (dB MIN) <u>[-90-f(GHz)]</u>	Center Contact Captivation Axial (Lbs) <u>60</u>	Moisture Resistance MIL-STD-202, Method 106
Corona, 70,000 Ft (VRMS MIN) <u>375</u>	Radial (In-Oz) <u>N/A</u>	Corrosion - MIL-STD-202, Method 101, Condition B, 5% salt spray
Dielectric Withstanding Voltage (VRMS MIN) @ Sea Level <u>1500</u>	Cable Retention Axial Force (Lbs) <u>60 MIN</u>	
Contact Resistance (Milliohms MAX) Center Contact <u>3.0</u>	Torque (In-Oz) <u>55 MIN</u>	
Outer Contact <u>2.0</u>	Weight (Oz) <u>.12</u>	
Cable to Housing <u>0.5</u>		
RF High Potential @ Sea Level (VRMS MIN @ 5 MHz) <u>1000</u>		
I.R.(Megohms MIN) <u>5,000</u>		

COMPONENT	MATERIAL	FINISH
HOUSING MOUNTING NUT LOCKWASHER	STAINLESS STEEL PER ASTM-A484 AND ASTM- A582, TYPE 303	GOLD PLATE PER MIL-G-45204
DIELECTRIC	PTFE FLUOROCARBON PER ASTM-D-1457	N/A
CENTER CONTACT	BERYLLIUM COPPER PER ASTM-B-196 OR ASTM-B-197, ALLOY C17300, CONDITION H	GOLD PLATE PER MIL-G-45204
O-RING	SILICONE RUBBER PER ZZ-R-765	N/A

UNLESS OTHERWISE SPECIFIED DIMENSIONS ARE IN INCHES TOLERANCE ON FRAC. DEC. ANGLES ± 1/64 ±.005 ± 1°	DRAWN BY GB	DATE 1/3/82			
	CHECKED BY RNF	1/20/83			<b>M/A-COM</b> a Division of AMP Incorporated 140 Fourth Avenue Waltham, MA 02154-7577
These drawings and specifications are the property of M/A COM Interconnect Division and shall not be reproduced or copied or used in whole or in part as the basis for the manufacture or sale of item(s) without written permission.	USE ASS'Y PROCEDURE		TITLE OSM BULKHEAD FEEDTHRU CABLE JACK-DIRECT SOLDER ATTACHMENT		
	408-04947 NO. AP. (20-267)		SIZE B	CODE IDENT NO. 26805	2004-7541-00
			SCALE 4:1	REV 012	
			SHEET 1 OF 1		