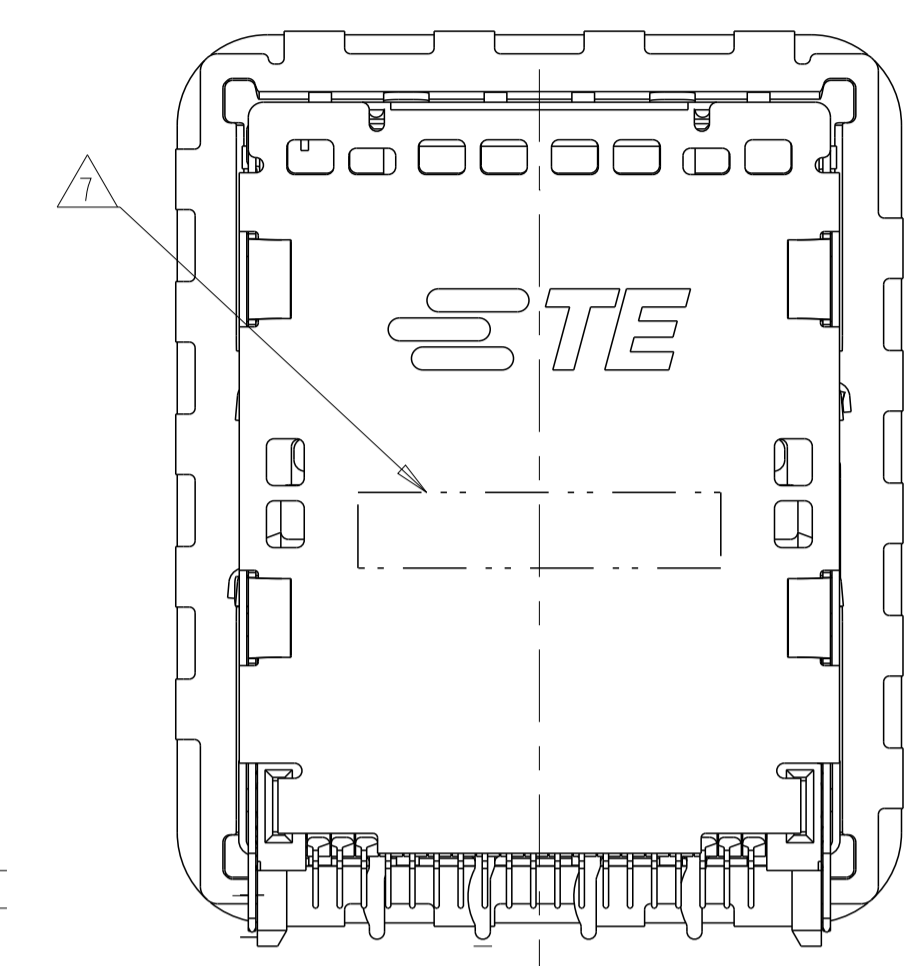
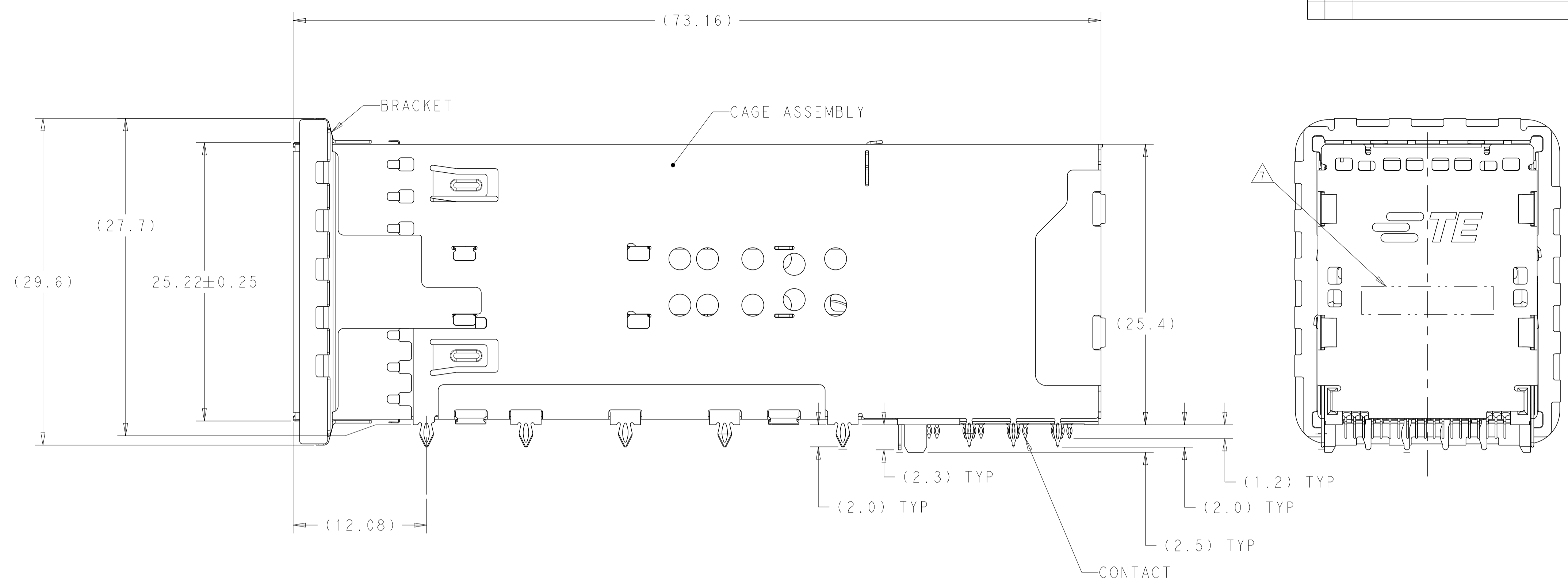
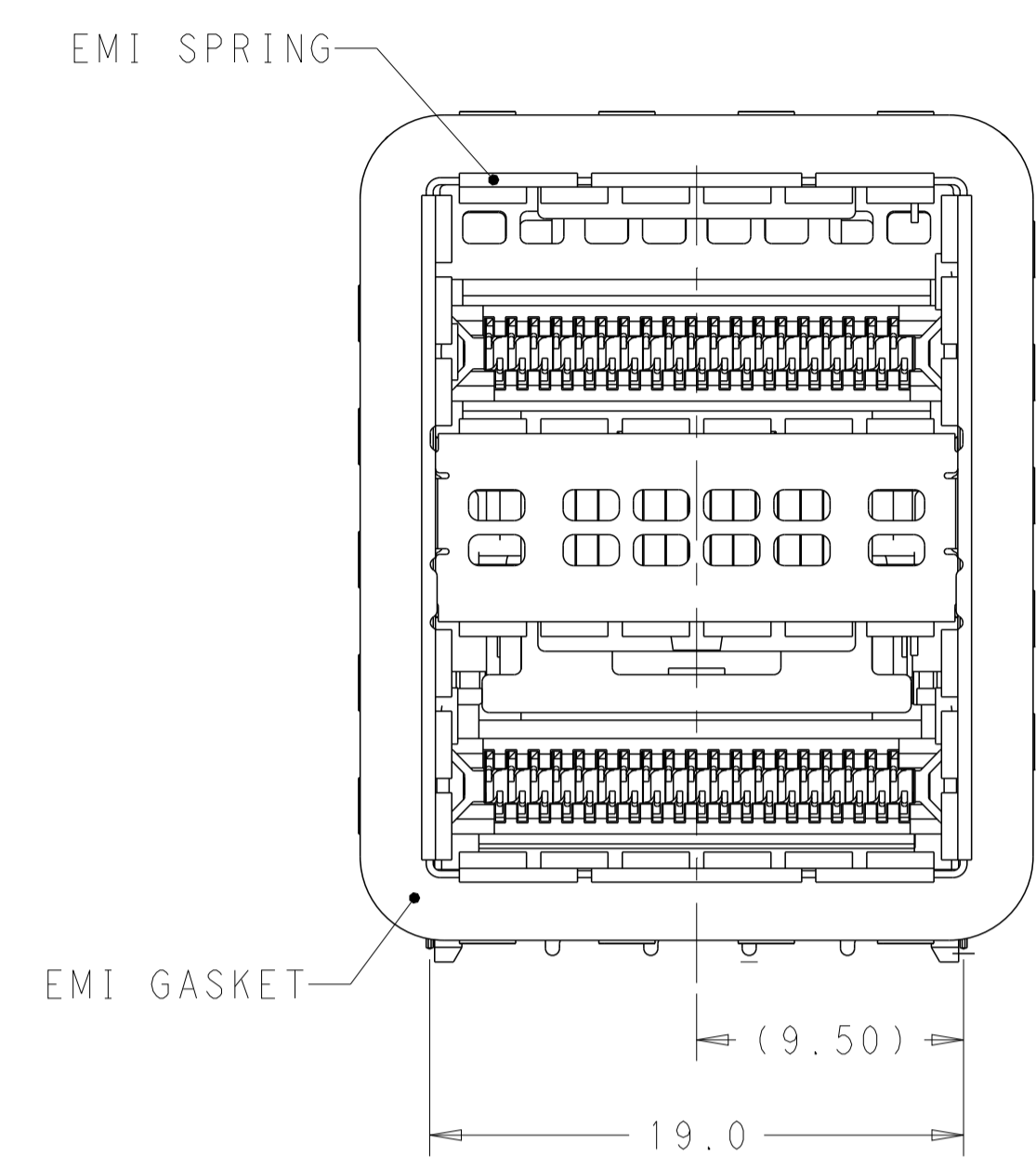
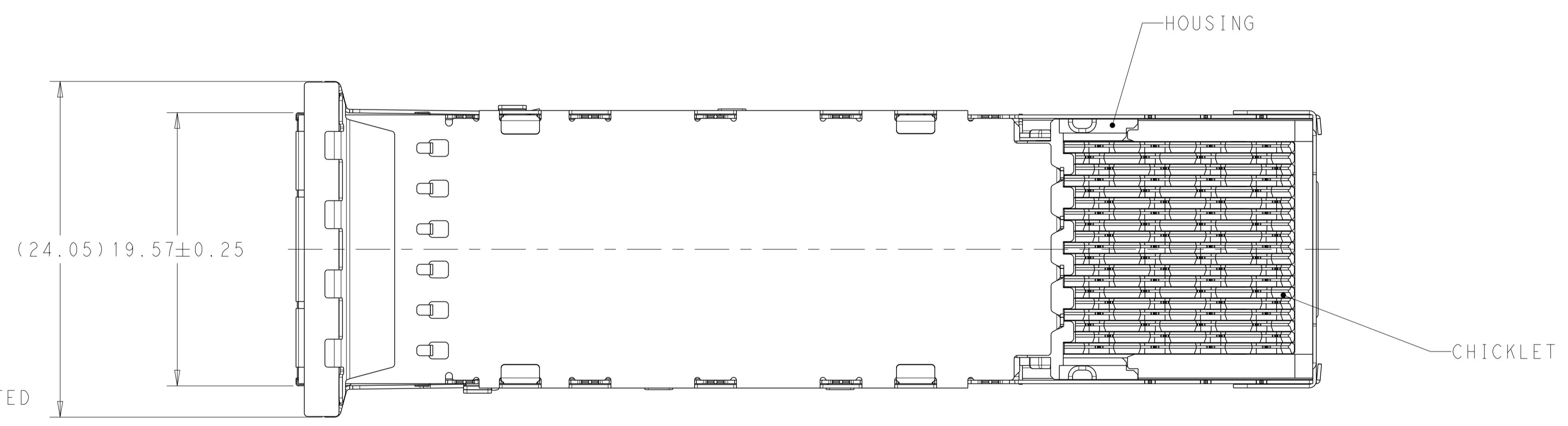


LOC	DIST	REVISIONS			
P	LTN	DESCRIPTION	DATE	DWN	APVD
A		RELEASED FOR PRODUCTION	02MAR2016	TX	SH
A1		REVISED PER ECN-22-163746	11JUL2022	IT	SZ



1. MATERIALS:
 CAGE ASSEMBLY- NICKEL SILVER ALLOY PER ASTM B 122.
 BRACKET- STAINLESS STEEL.
 EMI SPRING- COPPER ALLOY, NICKEL PLATED.
 EMI GASKET- PLATED FILLED SILICONE.
 HOUSING- POLYESTER LCP WITH 94V-0.
 CHICKLET- POLYESTER LCP WITH 94V-0.
 CONTACT- COPPER ALLOY.
 LIGHTPIPE- POLYCARBONATE WITH 94V-0.

- 2 CONTACT FINISH: 0.76µm GOLD ON MATING END, 1.25µm TIN ON SOLDER TAIL, ALL OVER 1.27µm NICKEL.
 3 DATUM AND BASIC DIMENSION ESTABLISHED BY CUSTOMER.
 4 MINIMUM PCB THICKNESS OF 1.57.
 5 THE ENTIRE AREA OF THE CONNECTOR FOOTPRINT, INDICATED BY THE DASHED LINE, TO BE CONSIDERED THE KEEPOUT AREA FOR COMPONENTS.
 6 CROSS-HATCHED AREAS REPRESENT ZONES ON THE PCB THAT COME IN CONTACT WITH OR BE IN CLOSE PROXIMITY TO THE PLASTIC HOUSING OR THE CONNECTOR CAGE. INDICATED AREAS TO BE CONSIDERED TRACE FREE.
 7 PART NUMBER AND DATE CODE MARKED IN APPROXIMATE AREA SHOWN.
 8 THESE HOLES ARE OPTIONAL WHEN PINS ON BACK OF GAGE ARE REMOVED.
 9 HATCHED AREA IS PLACEMENT ZONE FOR LED. LED SHOULD BE CENTERED WITHIN ZONE. RECOMMEND 0805 PACKAGE.
 10 CONTACT FINISH: 0.08µm MINIMUM GOLD OVER 0.68µm PALLADIUM-NICKEL ON MATING END, 1.25µm MATT TIN ON SOLDER TAIL, ALL OVER 1.27µm NICKEL.



CONTACT FINISH	DESCRIPTION	PART NUMBER
10	LEFT INDICATOR DOWN	2227224-6
10	LEFT INDICATOR UP	2227224-5
10	NO LIGHTPIPE	2227224-4
2	LEFT INDICATOR DOWN	2227224-3
2	LEFT INDICATOR UP	2227224-2
2	NO LIGHTPIPE	2227224-1

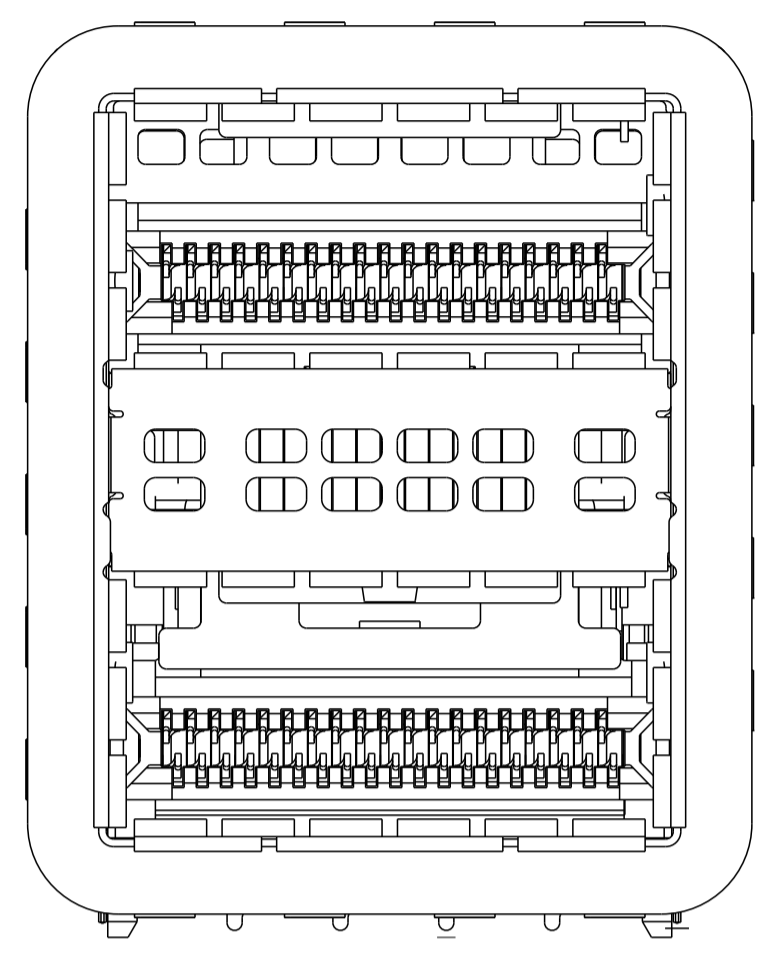
THIS DRAWING IS A CONTROLLED DOCUMENT. DIMENSIONING AND TOLERANCING PER ASME Y14.5M 2009

DIMENSIONS: mm
 TOLERANCES UNLESS OTHERWISE SPECIFIED:
 0 PLC ±
 1 PLC ±0.25
 2 PLC ±0.15
 3 PLC ±
 4 PLC ±
 ANGLES ±
 FINISH ±

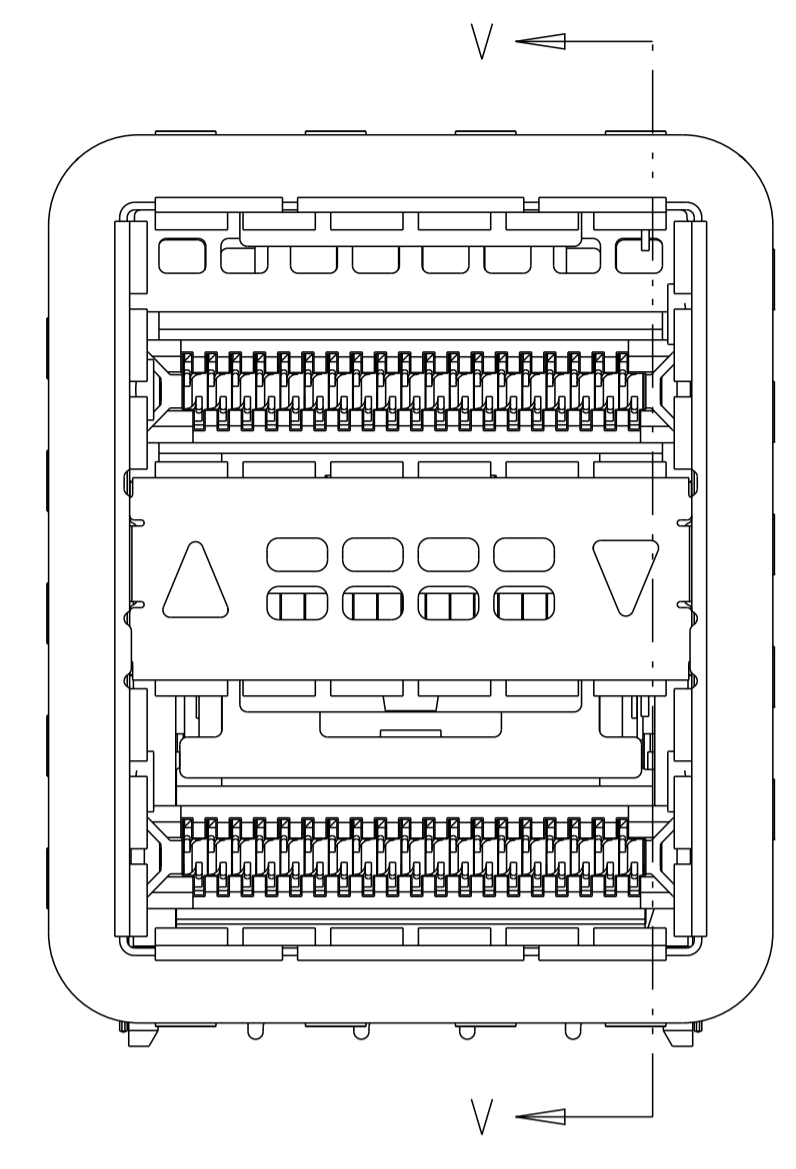
MATERIAL: SEE NOTE 1
 WEIGHT: -
 CUSTOMER DRAWING

DWN: M. SHIRK 14AUG2012
 CHK: D. SZCZESNY 14AUG2011
 APVD: -
 PRODUCT SPEC: 108-60102
 APPLICATION SPEC: 114-60015
 NAME: CAGE AND CONNECTOR ASSEMBLY, WITH EMI GASKET, 2X1, ZQSFP+ STACKED
 SIZE: A1
 CAGE CODE: 00779
 DRAWING NO: 2227224
 RESTRICTED TO: -
 SCALE: 4:1
 SHEET: 1 OF 4
 REV: A1

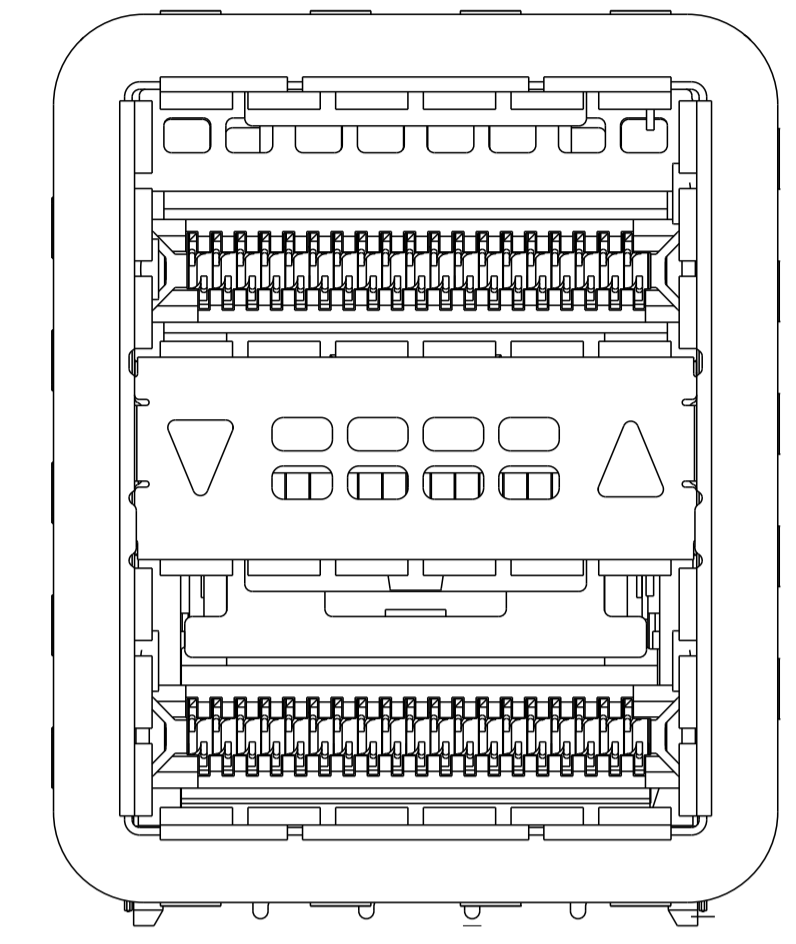
LOC	DIST	REVISIONS			
P	LTR	DESCRIPTION	DATE	DWN	APVD
rev_sym_1	18E6	08H6E111		rev_dofctk	rev_dwn
rev_sym_2	rev_desc_2			rev_dofctk	rev_dwn
rev_sym_3	rev_desc_3			rev_dofctk	rev_dwn
rev_sym_4	rev_desc_4			rev_dofctk	rev_dwn



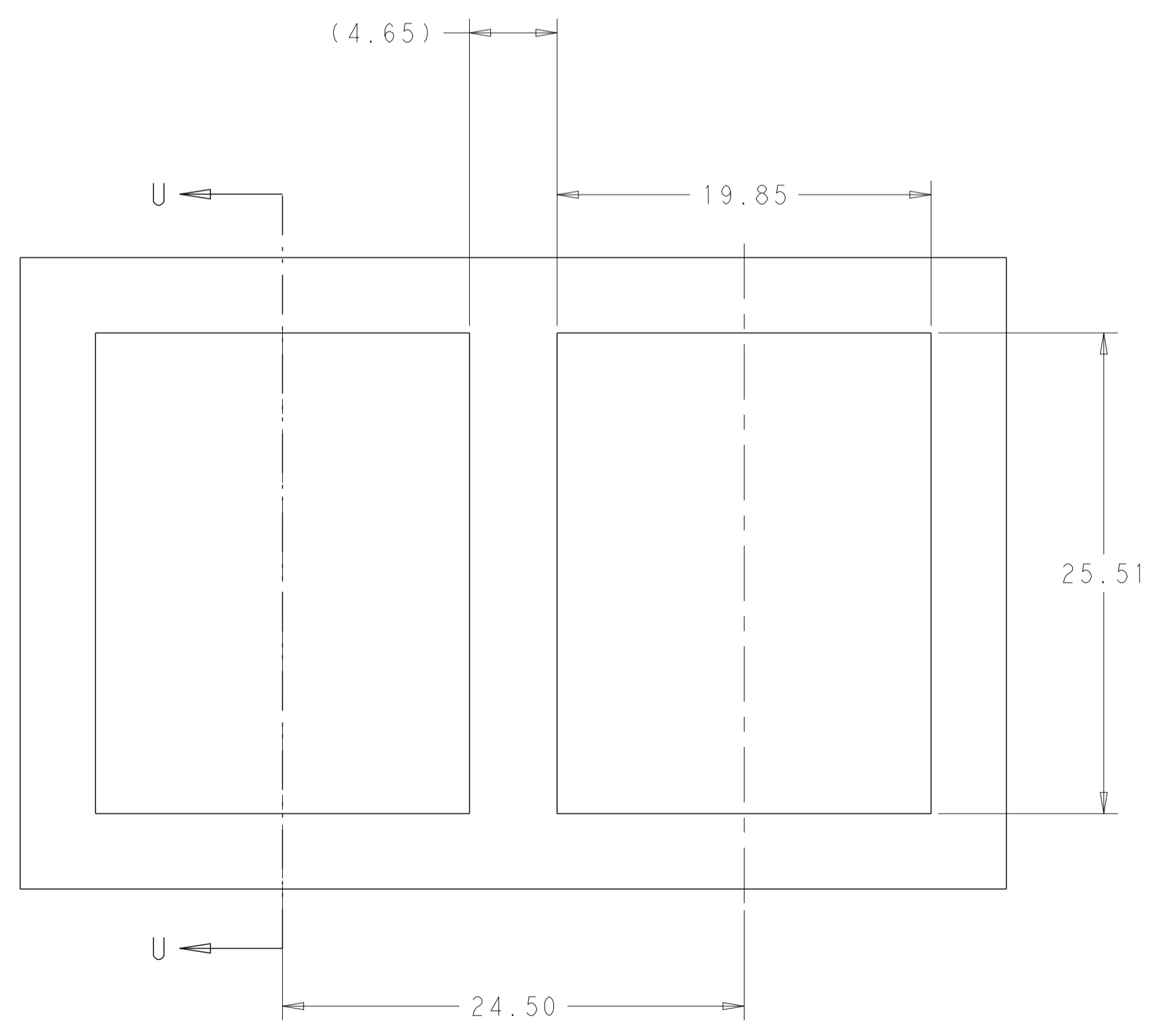
2227224-1 / 2227224-4
NO LIGHTPIPE IN ASSEMBLY



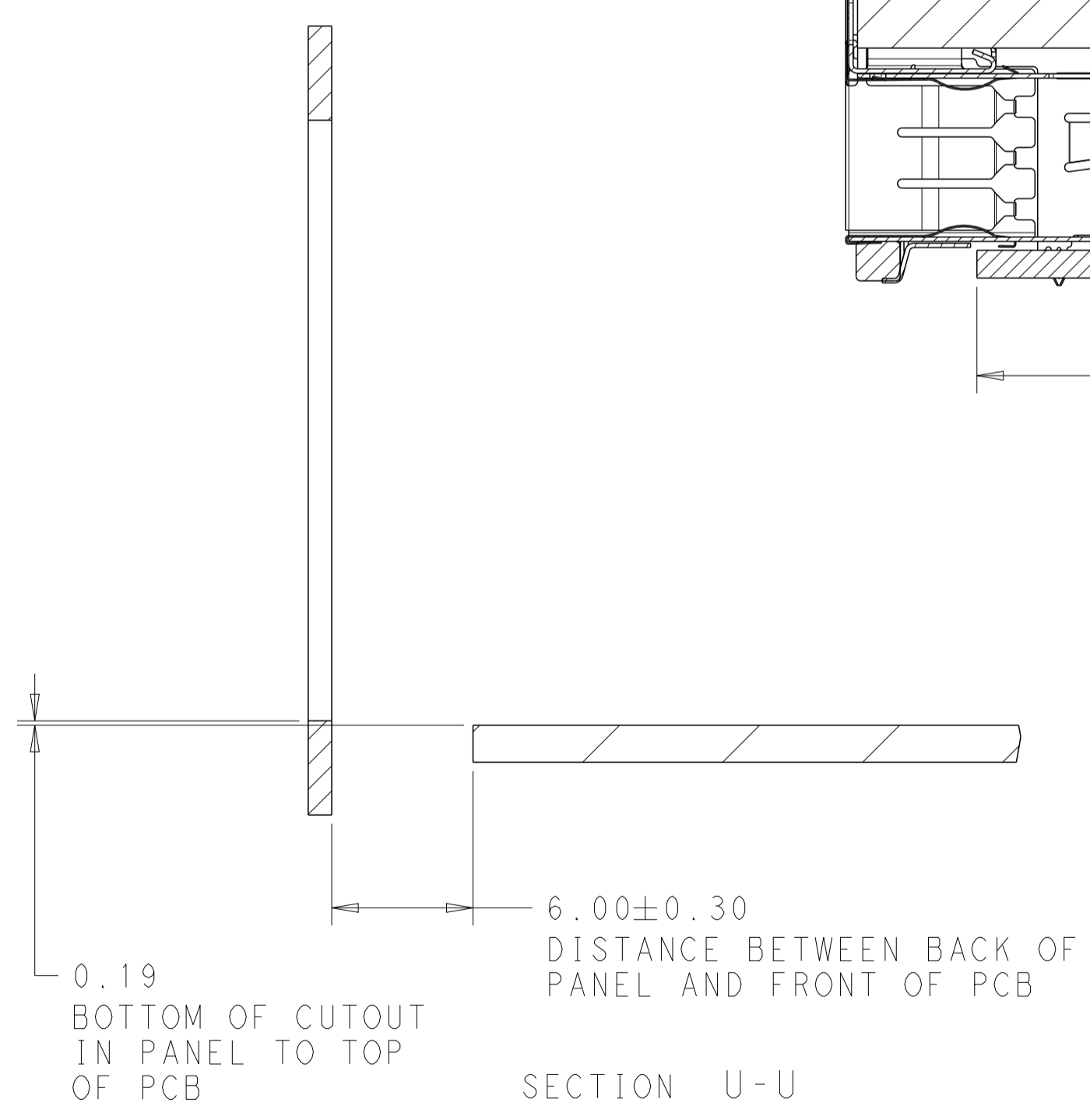
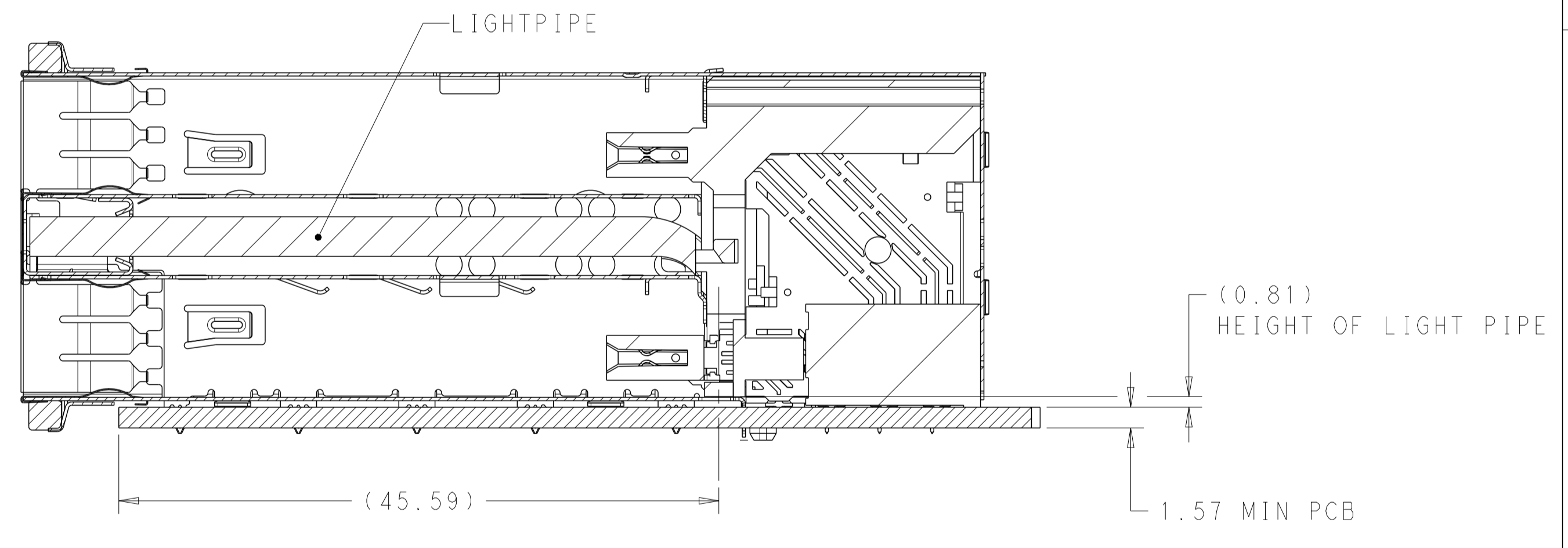
2227224-2 / 2227224-5
LEFT LIGHTPIPE INDICATOR
POINTING TO UPPER PORT



2227224-3 / 2227224-6
LEFT LIGHTPIPE INDICATOR
POINTING TO LOWER PORT

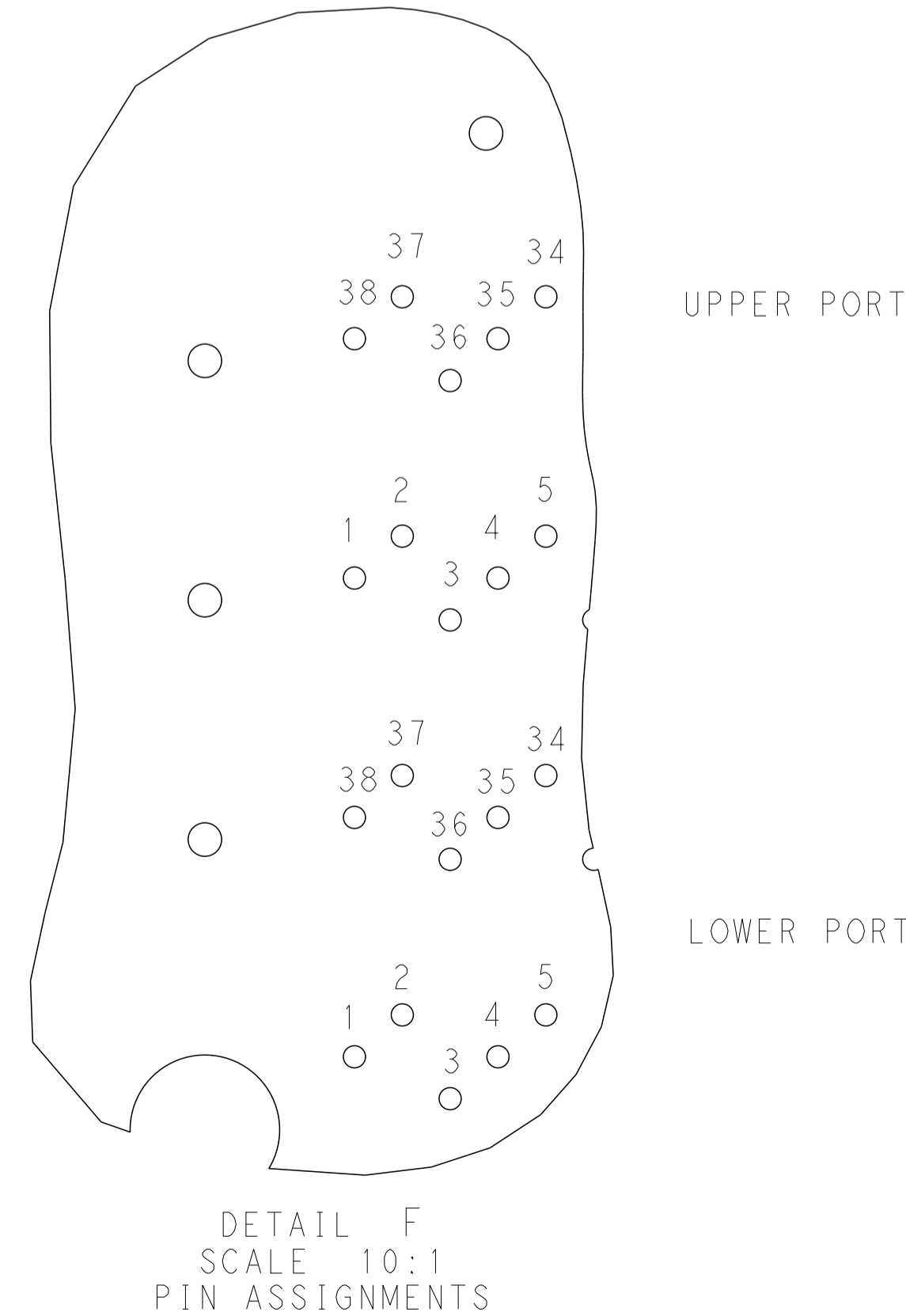
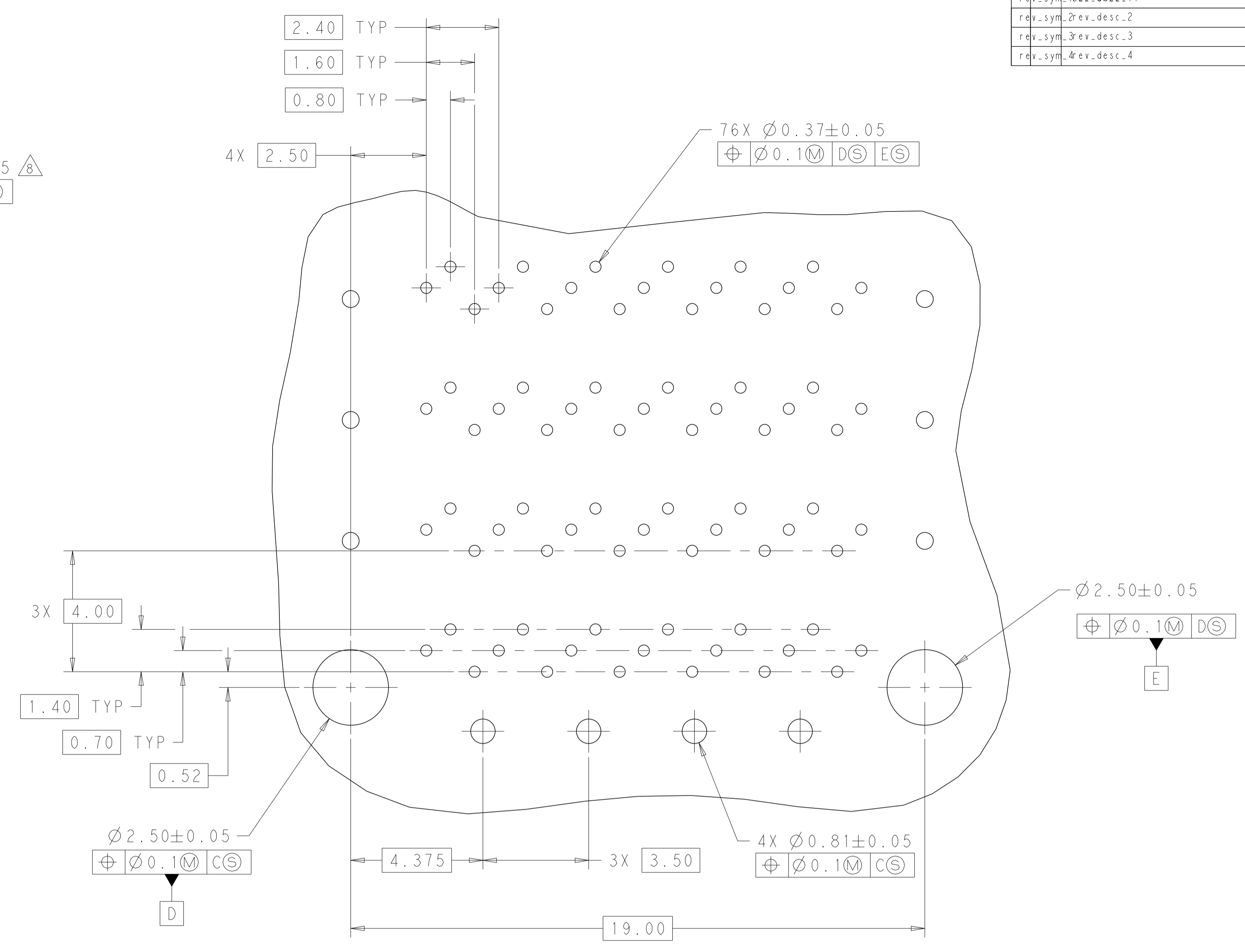
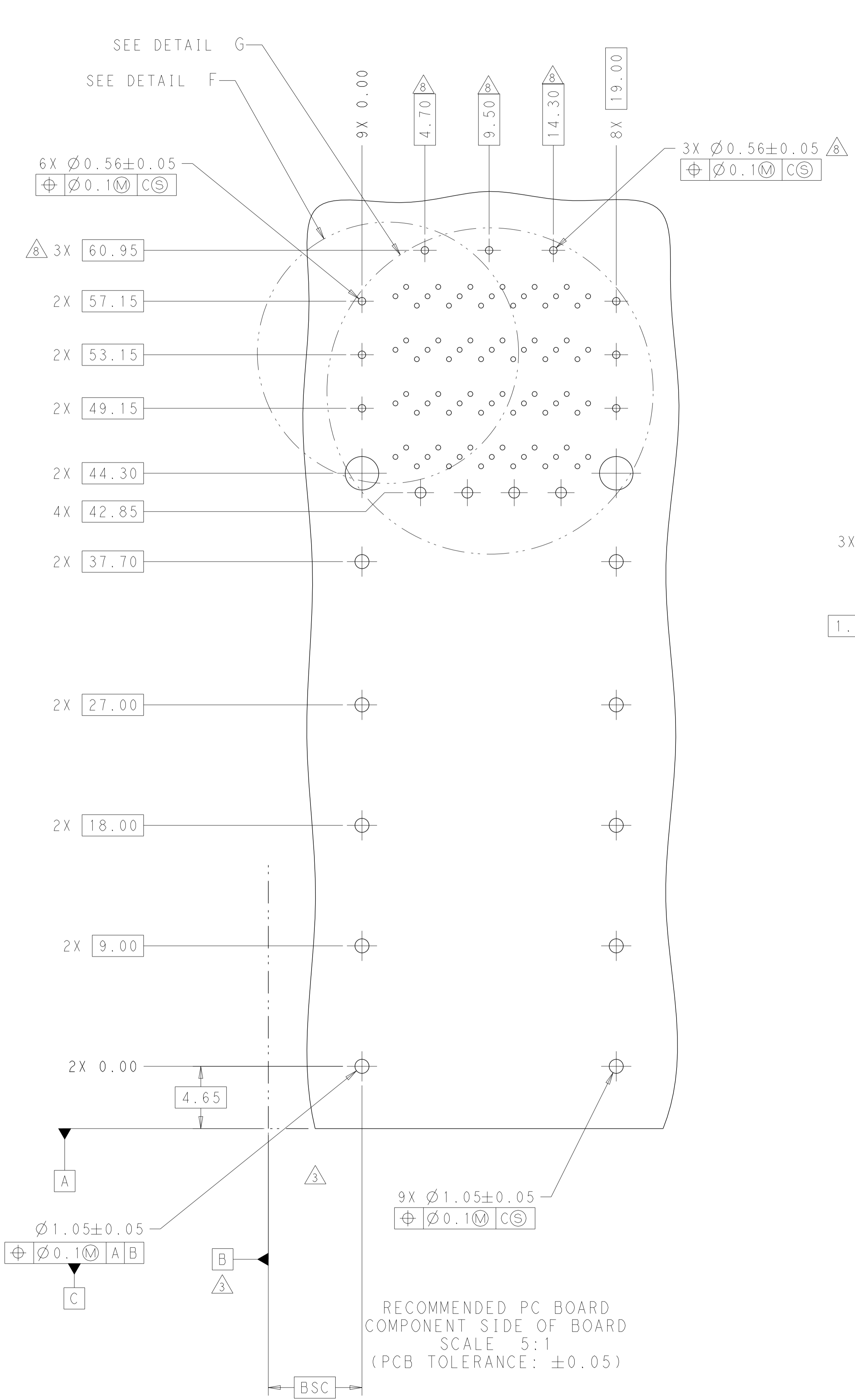


RECOMMENDED PANEL CUTOUT
AND PC BOARD, PANEL POSITION



THIS DRAWING IS A CONTROLLED DOCUMENT. DIMENSIONING AND TOLERANCING PER ASME Y14.5M-2009. TOLERANCES UNLESS OTHERWISE SPECIFIED:		DWN: M. SHIRK 14AUG2012	TE Connectivity
DIMENSIONS: mm		CHK: D. SZCZESNY 14AUG2011	
0 PLC ±	1 PLC ±0.25	APVD: -	NAME: CAGE AND CONNECTOR ASSEMBLY, WITH EMI GASKET, 2X1, ZQSFP+ STACKED PRODUCT SPEC: 108-60102 APPLICATION SPEC: 114-60015
2 PLC ±0.15	3 PLC ±	SIZE: 114-60015	
4 PLC ±	ANGLES ±	WEIGHT: -	RESTRICTED TO: -
MATERIAL: -	FINISH: -	CUSTOMER DRAWING	SCALE: 4:1 SHEET 2 OF 4 REV: A1

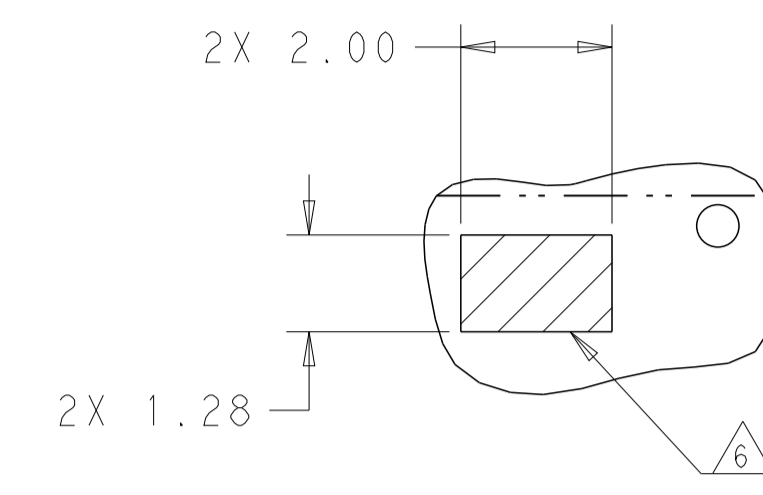
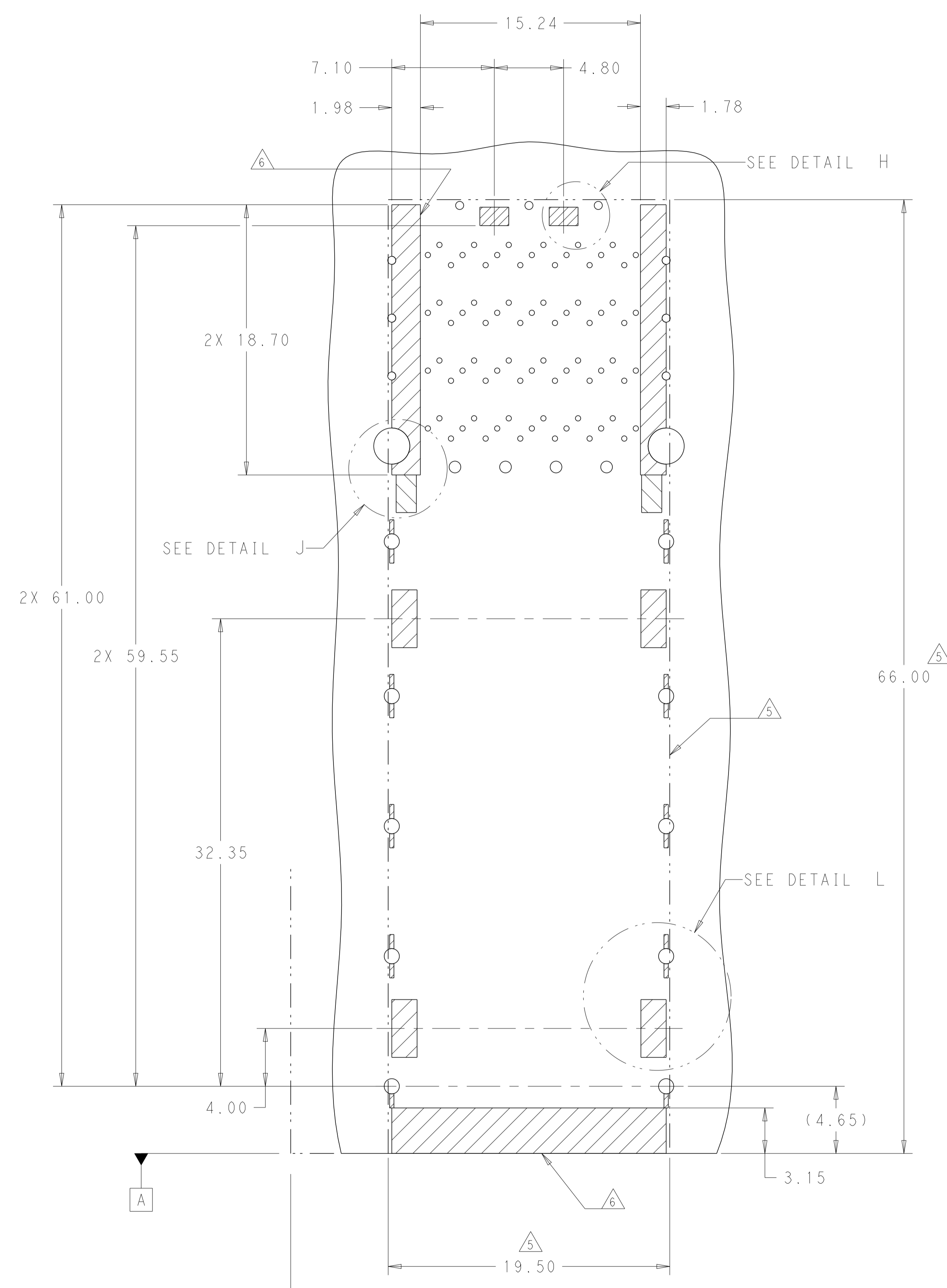
LOC	DIST	REVISIONS			
P	LTH	DESCRIPTION	DATE	DMN	APVD
rev_sym_1	18E6_8H6E11			rev_defect	dmn_bppr_1
rev_sym_2	rev_desc_2			rev_defect	dmn_bppr_2
rev_sym_3	rev_desc_3			rev_defect	dmn_bppr_3
rev_sym_4	rev_desc_4			rev_defect	dmn_bppr_4



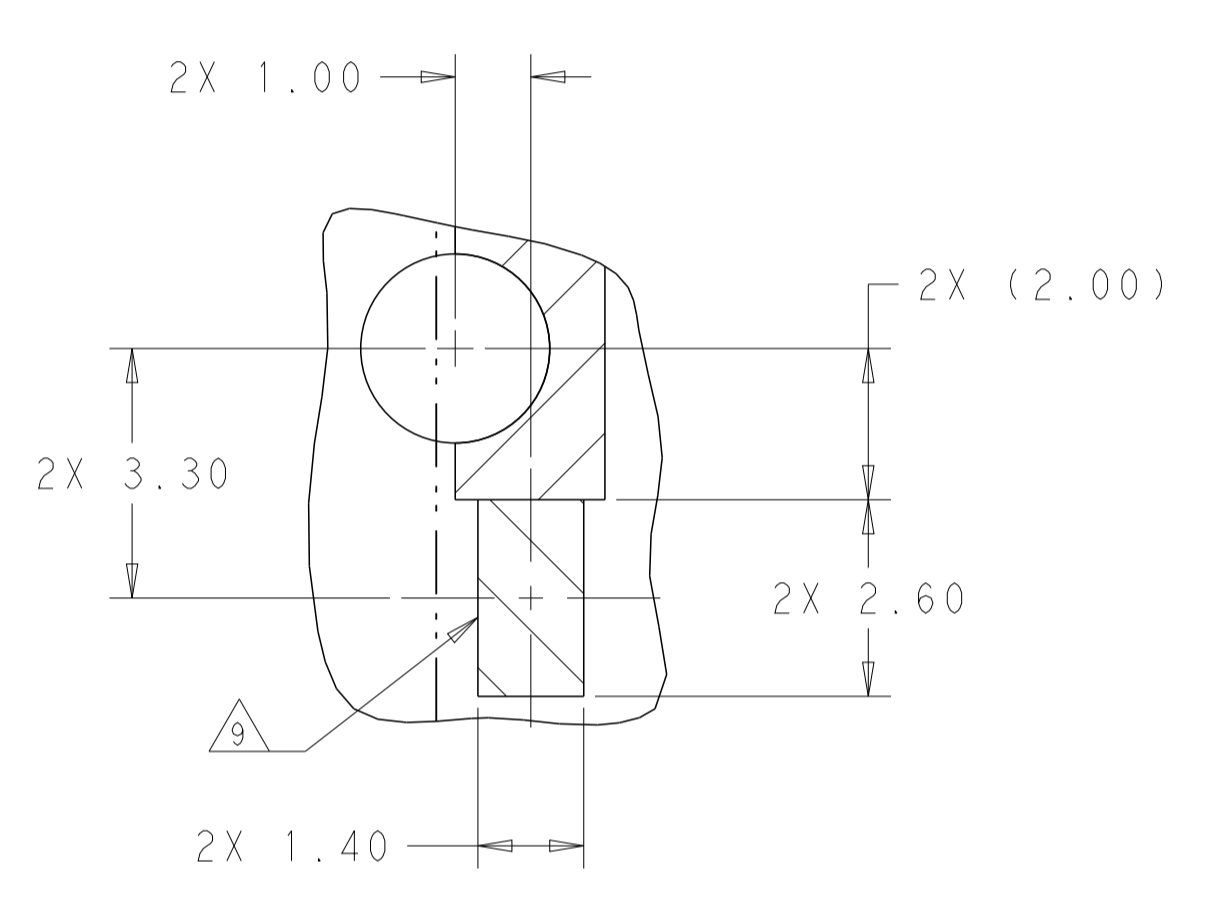
DETAIL G
 SCALE 10:1

THIS DRAWING IS A CONTROLLED DOCUMENT. DIMENSIONING AND TOLERANCING PER ASME Y14.5M-2009.		DMN: M. SHIRK 14AUG2012 CHK: D. SZCZESNY 14AUG2011	NAME: CAGE AND CONNECTOR ASSEMBLY, WITH EMI GASKET, 2X1, ZQSFP+ STACKED
DIMENSIONS: mm	TOLERANCES UNLESS OTHERWISE SPECIFIED:	APVD: -	PRODUCT SPEC: 108-60102
0 PLC ±0.25 1 PLC ±0.15 2 PLC ±0.15 3 PLC ±0.15 4 PLC ±0.15 ANGLES ±0.15	FINISH: -	APPLICATION SPEC: 114-60015	SIZE: 114-60015
MATERIAL: - SEE NOTE 1	WEIGHT: -	CAGE CODE: -	DRAWING NO: A100779
CUSTOMER DRAWING		SCALE: 4:1	SHEET 3 OF 4 REV: A1

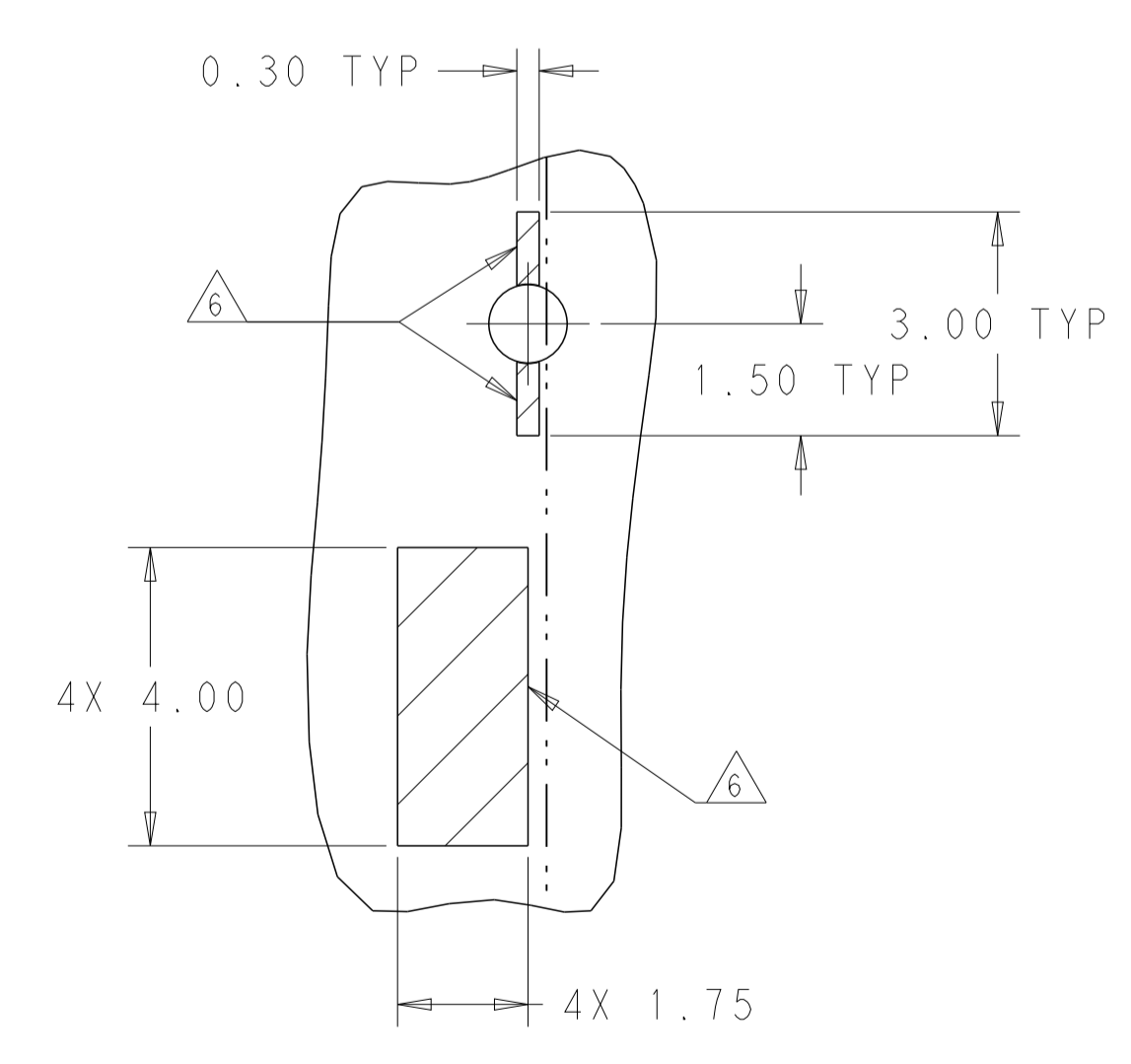
LOC	DIST	REVISIONS			
P	LTR	DESCRIPTION	DATE	DMN	APVD
rev_sym_1	1866	086E111		rev_defect	dmn_bppr_1
rev_sym_2	rev_desc_2			rev_defect	dmn_bppr_2
rev_sym_3	rev_desc_3			rev_defect	dmn_bppr_3
rev_sym_4	rev_desc_4			rev_defect	dmn_bppr_4



DETAIL H
SCALE 10:1



DETAIL J
LED PADS
SCALE 10:1



DETAIL L
SCALE 10:1

KEEPOUT AREAS
COMPONENT SIDE OF BOARD
SCALE 5:1

THIS DRAWING IS A CONTROLLED DOCUMENT. DIMENSIONING AND TOLERANCING PER ASME Y14.5M-2009.		DMN: M. SHIRK 14AUG2012 CHK: D. SZCZESNY 14AUG2011	TE Connectivity	
DIMENSIONS: mm		APVD: -	NAME: CAGE AND CONNECTOR ASSEMBLY, WITH EMI GASKET, 2X1, ZQSFP+ STACKED	
TOLERANCES UNLESS OTHERWISE SPECIFIED:		PRODUCT SPEC: 108-60102	SIZE: 114-60015	
0 PLC ±0.25 2 PLC ±0.15 3 PLC ±0.10 4 PLC ±0.05 ANGLES ±0.5°		APPLICATION SPEC: 114-60015	RESTRICTED TO: -	
MATERIAL: - FINISH: - SEE NOTE 1		WEIGHT: -	A100779C=2227224	
		CUSTOMER DRAWING	SCALE: 4:1	SHEET 4 OF 4 REV: A1