



## Main

|                           |  |
|---------------------------|--|
| Range of Product          | Modicon TM3  |
| Product or Component Type | Discrete output module                                       |
| Range Compatibility       | Modicon M241<br>Modicon M251<br>Modicon M221<br>Modicon M262 |
| Discrete output type      | Transistor   |
| Discrete output number    | 8  |
| Discrete output logic     | Positive logic (source)                                      |
| Discrete output voltage   | 24 V DC transistor output                                    |
| Discrete output current   | 500 mA transistor output                                     |

## Complementary

|  |  |
|--|--|
| Discrete I/O number                    | 8  |
| Current consumption                    | 5 mA 5 V DC via bus connector at state off)<br>0 mA 24 V DC via bus connector at state off)<br>20 mA 24 V DC via bus connector at state on)<br>10 mA 5 V DC via bus connector at state on) |
| Response time                          | 450 µs (turn-on)<br>450 µs (turn-off)  |
| Maximum leakage current                | 0.1 mA transistor output   |
| Maximum voltage drop                   | <0.4 V   |
| Maximum tungsten load                  | <3 W transistor output   |
| Local signalling                       | For output status 1 LED per channel (green)  |
| Electrical connection                  | 11 x 2.5 mm <sup>2</sup> removable spring terminal block pitch 5.08 mm for outputs   |
| Maximum cable distance between devices | Unshielded cable <98.43 ft (30 m) transistor output  |
| Insulation                             | Between output and internal logic 500 V AC<br>Non-insulated between outputs  |
| Marking                                | CE   |
| Mounting support                       | Top hat type TH35-15 rail IEC 60715<br>Top hat type TH35-7.5 rail IEC 60715<br>Plate or panel with fixing kit  |
| Height                                 | 3.54 in (90 mm)  |
| Depth                                  | 3.33 in (84.6 mm)  |
| Width                                  | 1.08 in (27.4 mm)  |
| Net Weight                             | 1.68 lb(US) (0.76 kg)  |

## Environment

|                                       |   |
|---------------------------------------|---|
| Standards                             | EN/IEC 61131-2<br>EN/IEC 61010-2-201  |
| Product Certifications                | C-tick<br>cULus   |
| Resistance to electrostatic discharge | 8 kV in air EN/IEC 61000-4-2<br>4 kV on contact EN/IEC 61000-4-2  |
| Resistance to electromagnetic fields  | 9.14 V/m (10 V/m) 80 MHz...1 GHz EN/IEC 61000-4-3<br>2.74 V/m (3 V/m) 1.4 GHz...2 GHz EN/IEC 61000-4-3<br>0.91 V/m (1 V/m) 2 GHz...3 GHz EN/IEC 61000-4-3 |
| Resistance to magnetic fields         | 98.43 A/m (30 A/m) 50/60 Hz EN/IEC 61000-4-8  |
| Resistance to fast transients         | 1 kV I/OEN/IEC 61000-4-4  |
| Surge withstand                       | 1 kV I/O common mode EN/IEC 61000-4-5 DC  |

|                                       |  |
|---------------------------------------|--|
| Resistance to conducted disturbances  | 10 V 0.15...80 MHz EN/IEC 61000-4-6<br>3 V spot frequency (2, 3, 4, 6.2, 8.2, 12.6, 16.5, 18.8, 22, 25 MHz) Marine specification (LR, ABS, DNV, GL)            |
| Electromagnetic emission              | Radiated emissions 40 dB $\mu$ V/m QP class A 10 m)30...230 MHz EN/IEC 55011<br>Radiated emissions 47 dB $\mu$ V/m QP class A 10 m)230...1000 MHz EN/IEC 55011 |
| Ambient Air Temperature for Operation | 14...95 °F (-10...35 °C) vertical installation<br>14...131 °F (-10...55 °C) horizontal installation  |
| Ambient Air Temperature for Storage   | -13...158 °F (-25...70 °C)   |
| Relative humidity                     | 10...95 %, without condensation in operation)<br>10...95 %, without condensation in storage)   |
| IP degree of protection               | IP20 with protective cover in place  |
| Pollution degree                      | 2  |
| Operating altitude                    | 0...6561.68 ft (0...2000 m)  |
| Storage altitude                      | 0.00...9842.52 ft (0...3000 m)   |
| Vibration resistance                  | 3.5 mm 5...8.4 Hz DIN rail<br>3 gn 8.4...150 Hz DIN rail<br>3.5 mm 5...8.4 Hz panel<br>3 gn 8.4...150 Hz panel   |
| Shock resistance                      | 15 gn 11 ms  |

## Ordering and shipping details

|                       |                                |
|-----------------------|--------------------------------|
| Category              | 22533 - M2XX PLC & ACCESSORIES |
| Discount Schedule     | MSX                            |
| GTIN                  | 3606480611476                  |
| Nbr. of units in pkg. | 1                              |
| Package weight(Lbs)   | 8.11 oz (230 g)                |
| Returnability         | No                             |
| Country of origin     | TW                             |

## Packing Units

|                              |                        |
|------------------------------|------------------------|
| Unit Type of Package 1       | PCE                    |
| Package 1 Height             | 2.95 in (7.5 cm)       |
| Package 1 width              | 4.92 in (12.5 cm)      |
| Package 1 Length             | 4.13 in (10.5 cm)      |
| Unit Type of Package 2       | S02                    |
| Number of Units in Package 2 | 9                      |
| Package 2 Weight             | 4.93 lb(US) (2.234 kg) |
| Package 2 Height             | 5.91 in (15 cm)        |
| Package 2 width              | 11.81 in (30 cm)       |
| Package 2 Length             | 15.75 in (40 cm)       |

## Offer Sustainability

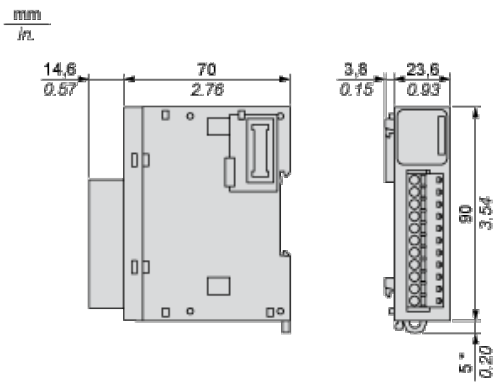
|                            |   |
|----------------------------|---|
| Sustainable offer status   | Green Premium product   |
| California proposition 65  | WARNING: This product can expose you to chemicals including: Lead and lead compounds, which is known to the State of California to cause cancer and birth defects or other reproductive harm. For more information go to <a href="http://www.P65Warnings.ca.gov">www.P65Warnings.ca.gov</a> |
| REACH Regulation           | <a href="#">REACH Declaration</a>   |
| EU RoHS Directive          | Pro-active compliance (Product out of EU RoHS legal scope) <a href="#">EU RoHS Declaration</a>  |
| Toxic heavy metal free     | Yes   |
| Mercury free               | Yes   |
| RoHS exemption information | <a href="#">Yes</a>   |
| China RoHS Regulation      | <a href="#">China RoHS Declaration</a>  |
| Environmental Disclosure   | <a href="#">Product Environmental Profile</a>   |
| Circularity Profile        | <a href="#">End Of Life Information</a>   |

---

|          |  |
|----------|--|
| WEEE     | The product must be disposed on European Union markets following specific waste collection and never end up in rubbish bins. |
| PVC free | Yes  |

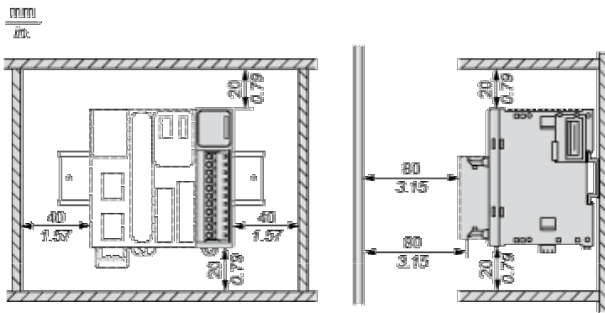
---

Dimensions

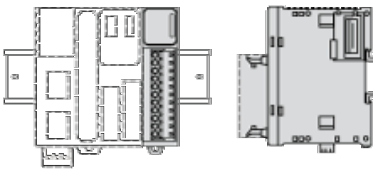


(\*) 8.5 mm/0.33 in. when the clamp is pulled out.

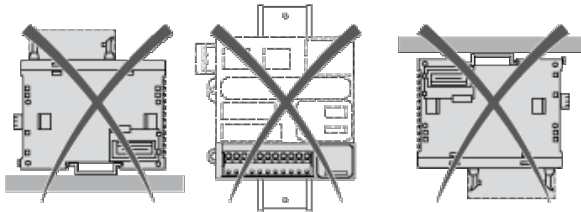
Spacing Requirements



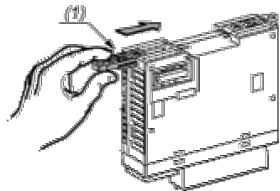
Mounting on a Rail



Incorrect Mounting

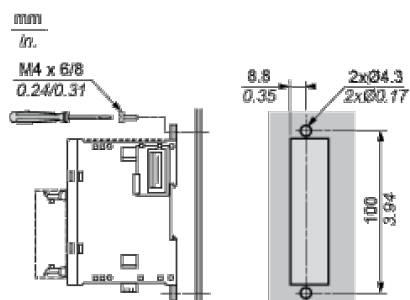


Mounting on a Panel Surface



- (1) Install a mounting strip

Mounting Hole Layout

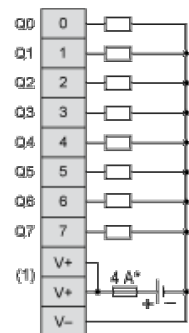


---

## Digital Transistor Output Module (8-channel, Source)

---

### Wiring Diagram



(\*) Type T fuse

(1) The V+ terminals are connected internally.