

167296-1 ✓ ACTIVE

## AMPLIMITE

TE Internal #: 167296-1

Crimp D-Sub Connectors, Plug, Cable-to-Cable, 50 Position,  
Contact Size Size 20, 5 Connector Shell Size, Mating Retention,  
Shielded

[View on TE.com >](#)



[Connectors](#) > [D-Shaped Connectors](#) > [D-Sub Connectors](#) > [Crimp D-Sub Connectors](#) > [D-Sub Crimp: Plug, Signal, 50 Posn, Pin Size 20, Shell Size 5](#)



Connector & Housing Type: **Plug**

Connector System: **Cable-to-Cable**

Number of Positions: **50**

Contact Size: **Size 20**

Connector Shell Size: **5**

[All D-Sub Crimp: Plug, Signal, 50 Posn, Pin Size 20, Shell Size 5 \(7\)](#)

## Features

### Product Type Features

Shell Material Configuration	Full Metal Shell
Ground Feature Type	Grounding Indents
Connector & Housing Type	Plug
Connector System	Cable-to-Cable
Connector Shell Size	5
Sealable	No
Connector & Contact Terminates To	Wire & Cable

### Configuration Features

Number of Positions	50
---------------------	----

### Body Features

Insert Material	Glass-Filled Nylon
Shell Plating Material	Tin
Primary Product Color	Black

### Contact Features

Contact Size	Size 20
--------------	---------

### Mechanical Attachment



Mating Retention	With
------------------	------

Mating Retention Type	Mounting Holes
-----------------------	----------------

### Housing Features

Shell Material	Steel
----------------	-------

Housing Material	Thermoplastic
------------------	---------------

Centerline (Pitch)	2.74 mm, 2.76 mm, 2.79 mm [.108 in][.109 in] [.11 in]
--------------------	--

### Dimensions

Compatible Insulation Diameter Range	1.73 mm
--------------------------------------	---------

### Usage Conditions

Operating Temperature Range	-55 – 105 °C [-67 – 221 °F]
-----------------------------	-----------------------------

### Operation/Application

Shielded	Yes
----------	-----

Circuit Application	Signal
---------------------	--------

### Industry Standards

UL Flammability Rating	UL 94V-0
------------------------	----------

### Packaging Features

Packaging Quantity	50
--------------------	----

Packaging Method	Box
------------------	-----

### Product Compliance

[For compliance documentation, visit the product page on TE.com>](#)

EU RoHS Directive 2011/65/EU	Compliant
------------------------------	-----------

EU ELV Directive 2000/53/EC	Compliant
-----------------------------	-----------

China RoHS 2 Directive MIIT Order No 32, 2016	No Restricted Materials Above Threshold
---	---

EU REACH Regulation (EC) No. 1907/2006	Current ECHA Candidate List: JUNE 2023 (235) Candidate List Declared Against: JUL 2021 (219) Does not contain REACH SVHC
--	--

Halogen Content	Not Low Halogen - contains Br or Cl > 900 ppm.
-----------------	--

Solder Process Capability	Not applicable for solder process capability
---------------------------	--

This information is provided based on reasonable inquiry of our suppliers and represents our current actual knowledge based on the information they provided. This information is subject to change. The part numbers that TE has identified as EU RoHS compliant have a maximum concentration of 0.1% by weight in homogenous materials for lead, hexavalent chromium, mercury, PBB, PBDE, DBP, BBP, DEHP, DIBP, and 0.01% for cadmium, or qualify for an exemption to these limits as defined in the Annexes of Directive 2011/65/EU (RoHS2). Finished electrical and electronic equipment products will be CE marked as required by Directive 2011/65/EU. Components may not be CE marked. Additionally, the part numbers that TE has identified as EU ELV compliant have a maximum concentration of 0.1% by weight in homogenous materials for lead, hexavalent chromium, and mercury, and 0.01% for cadmium, or qualify for an exemption to these limits as defined in the Annexes of Directive 2000/53/EC (ELV). Regarding the REACH Regulation, the information TE provides on SVHC in articles for this part number is based on the latest European Chemicals Agency (ECHA) 'Guidance on requirements for substances in articles' posted at this URL: <https://echa.europa.eu/guidance-documents/guidance-on-reach>

## Compatible Parts



TE Part # CAT-035-DCRSS205  
D-Sub Crimp Recept Signal 50 Posn,  
Socket Size 20, Shell Size 5



TE Part # 1579007-9  
EXTRACTION TOOL

## Customers Also Bought



TE Part # 1658640-1  
HDP-20, RCPT, SIZE 5, 50 POSN



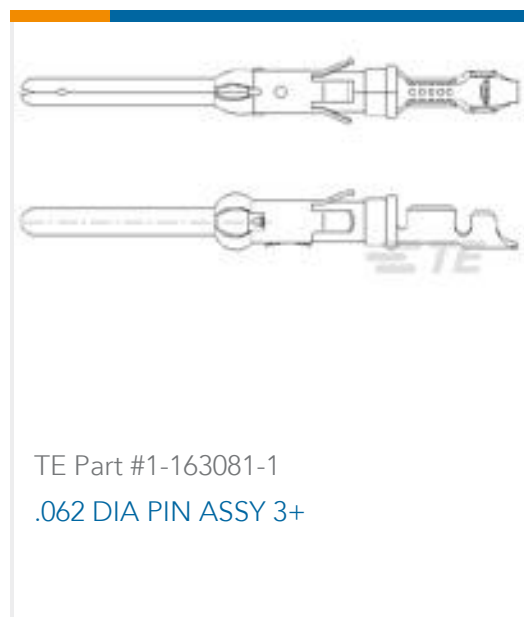
TE Part # 167292-1  
09P.HDP20 PLUG ASSY



TE Part # 5-166053-1  
COSI PIN CONTACT HD20 DF; 24-20  
AWG



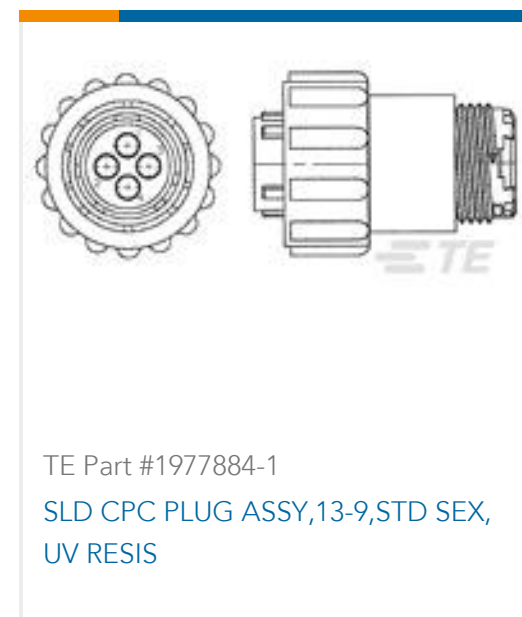
TE Part # 650137-000  
D-436-0097



TE Part # 1-163081-1  
.062 DIA PIN ASSY 3+



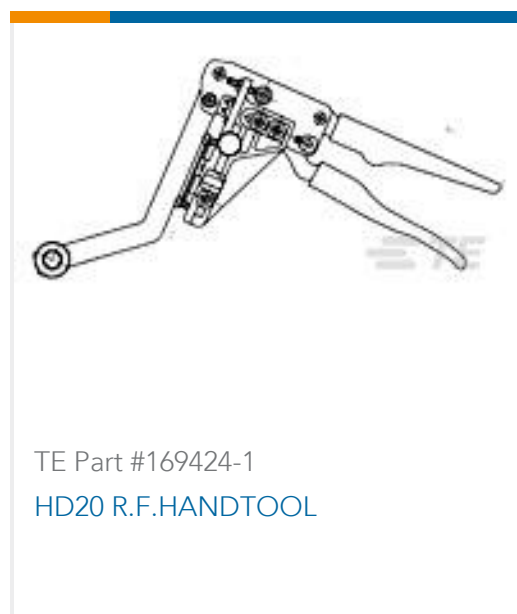
TE Part # 5053162047  
RNF-100-3/8-4-STK



TE Part # 1977884-1  
SLD CPC PLUG ASSY, 13-9, STD SEX,  
UV RESIS



TE Part # 102681-5  
20 AMP MODU MT COVER DR .100CL



## Documents

### Product Drawings

[50P.HDP20 PLUG ASSY](#)

English

### CAD Files

Customer View Model

[ENG\\_CVM\\_167296-1\\_M.3d\\_igs.zip](#)

English

Customer View Model

[ENG\\_CVM\\_167296-1\\_M.3d\\_stp.zip](#)

English

Customer View Model

[ENG\\_CVM\\_167296-1\\_M.2d\\_dxf.zip](#)

English

[3D PDF](#)

3D

[3D PDF](#)

3D

Customer View Model

[ENG\\_CVM\\_CVM\\_167296-1\\_L.2d\\_dxf.zip](#)

English

Customer View Model

[ENG\\_CVM\\_CVM\\_167296-1\\_L.3d\\_igs.zip](#)

English

Customer View Model

[ENG\\_CVM\\_CVM\\_167296-1\\_L.3d\\_stp.zip](#)

English

By downloading the CAD file I accept and agree to the [Terms and Conditions](#) of use.

### Datasheets & Catalog Pages

[AMPLIMITE Subminiature D Connectors - Subminiature D Connectors for Cable Mounting](#)

English

### Product Specifications

[Ocena wizualna zlaczy HD20 WTW](#)

167296-1

Crimp D-Sub Connectors, Plug, Cable-to-Cable, 50 Position, Contact Size Size 20, 5  
Connector Shell Size, Mating Retention, Shielded



## Workmanship Specification