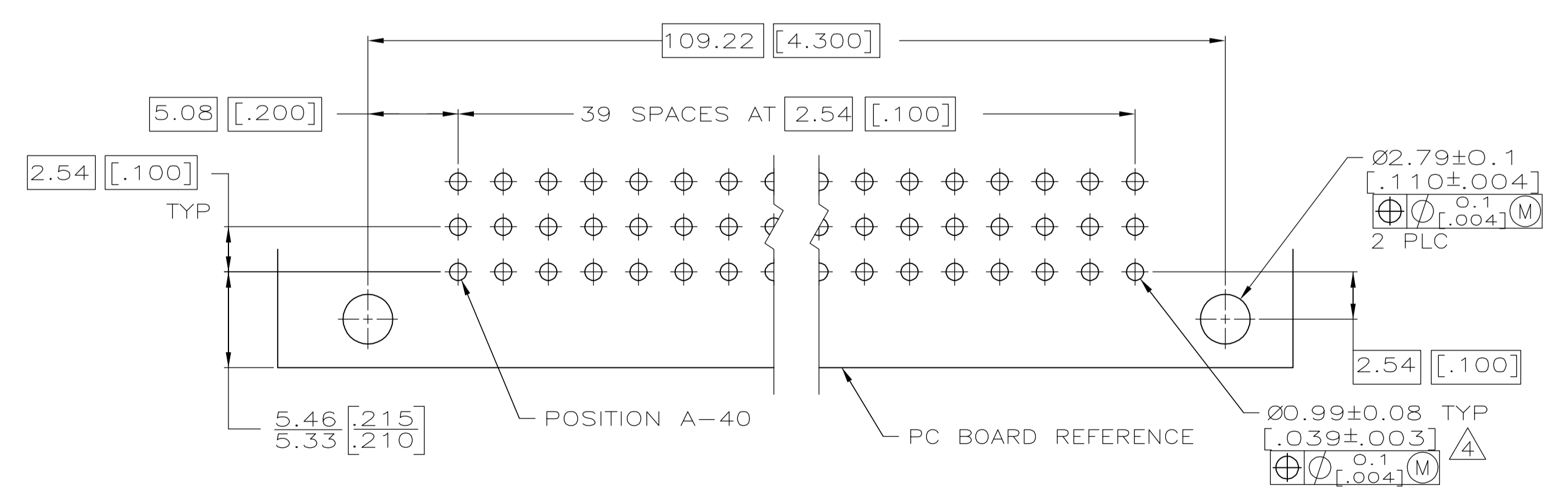
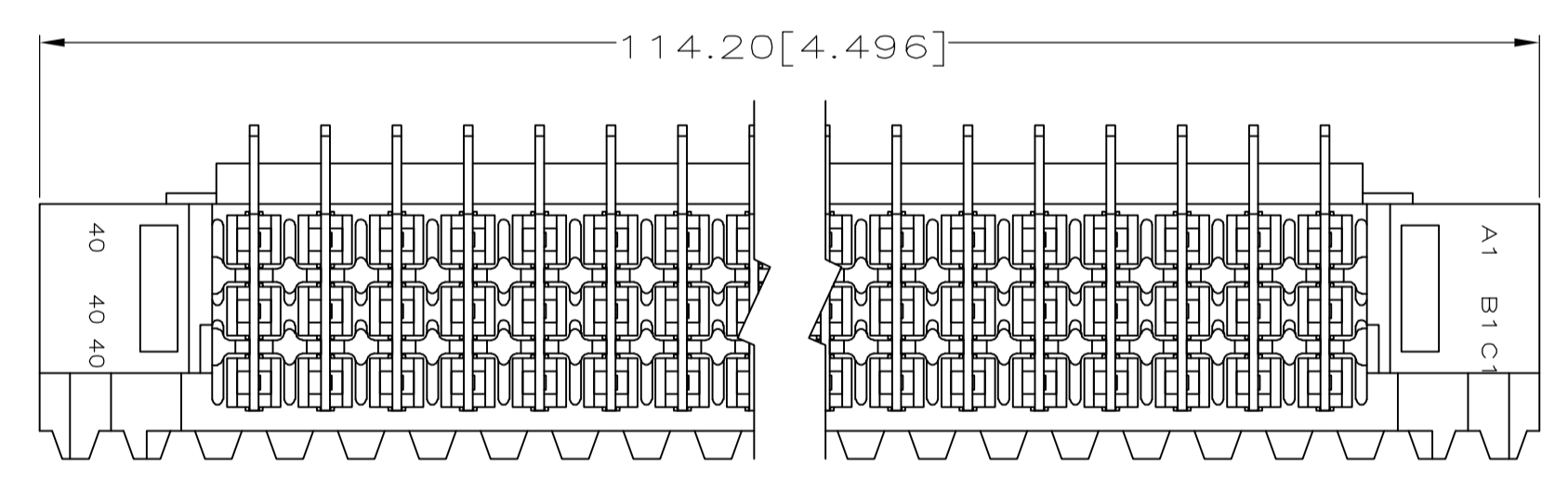
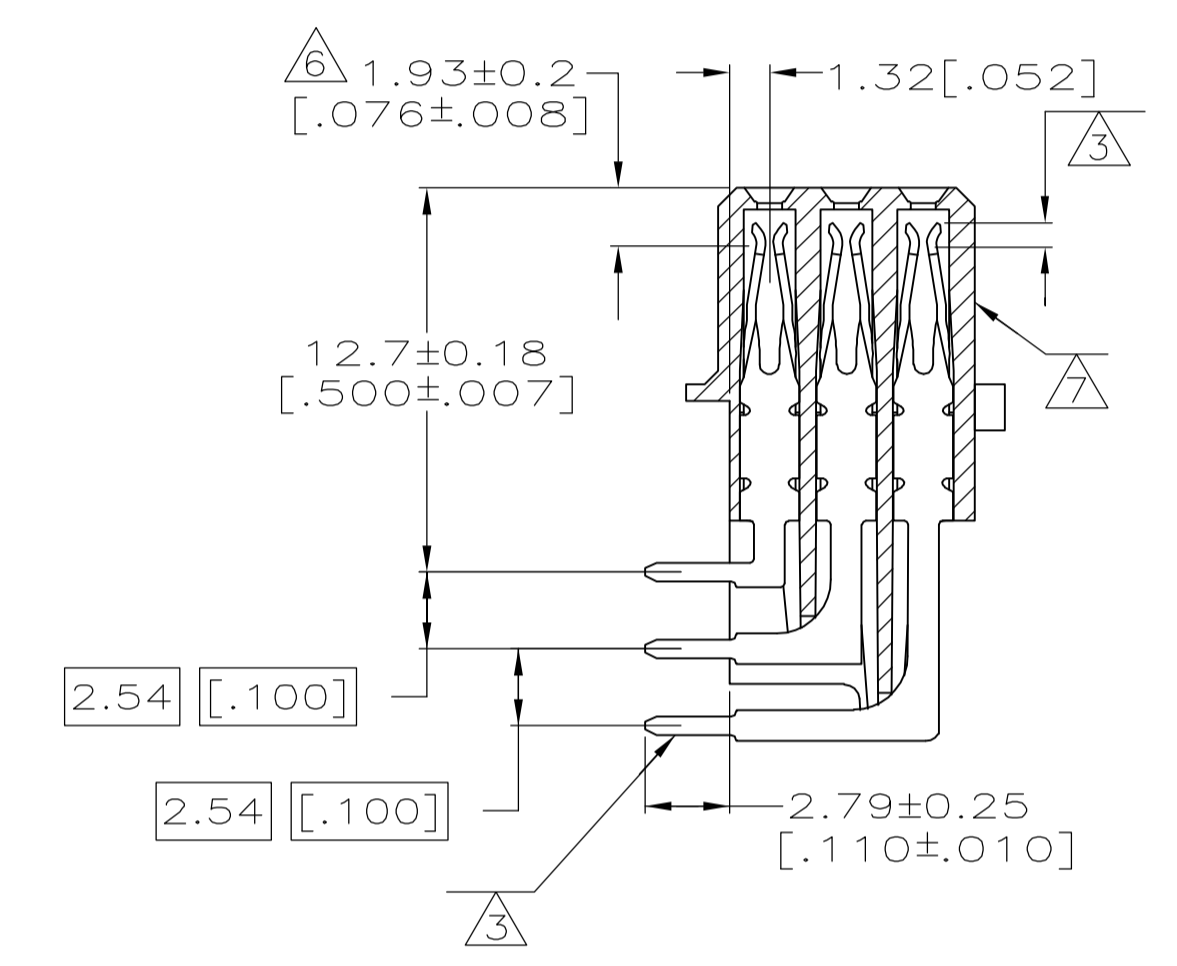
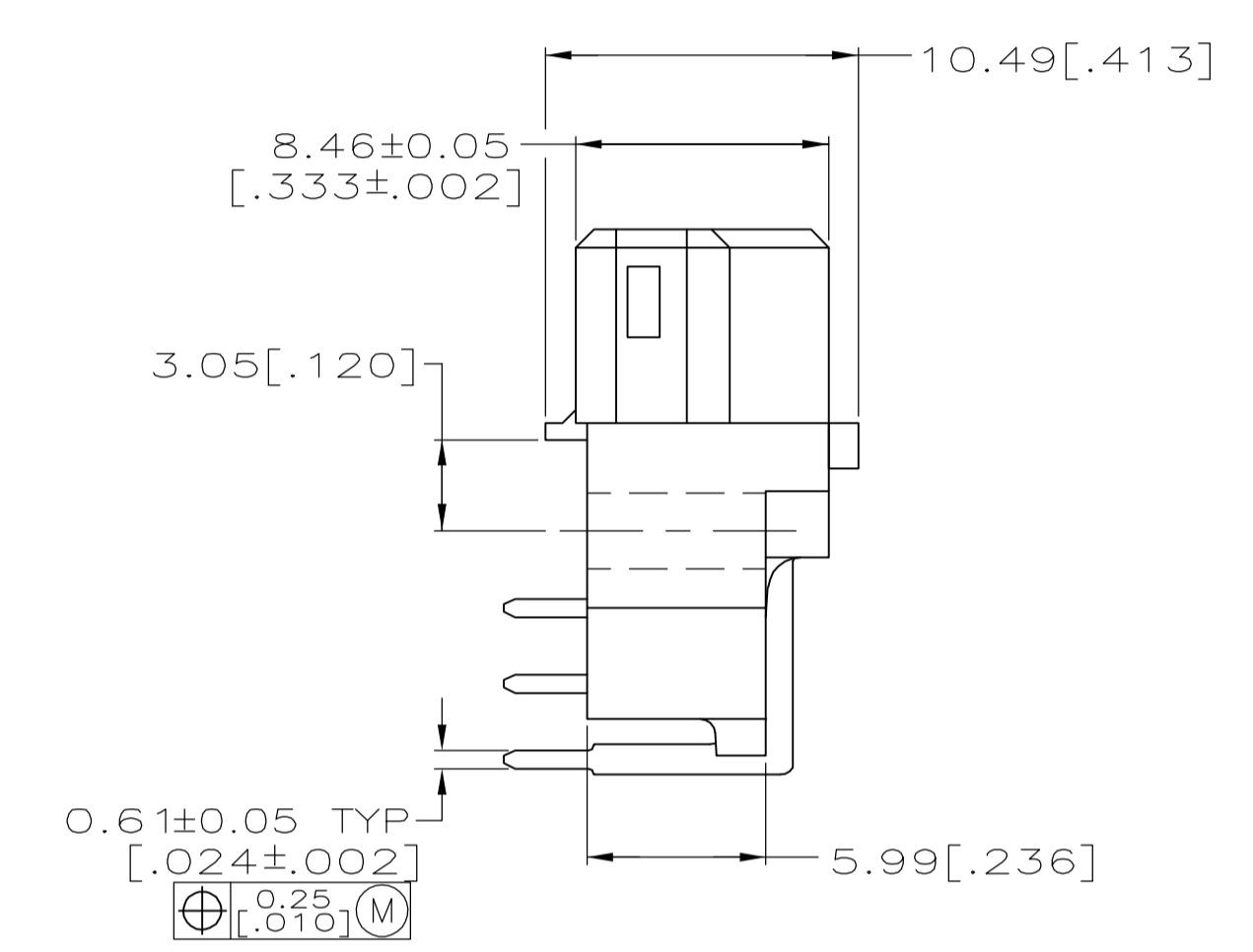
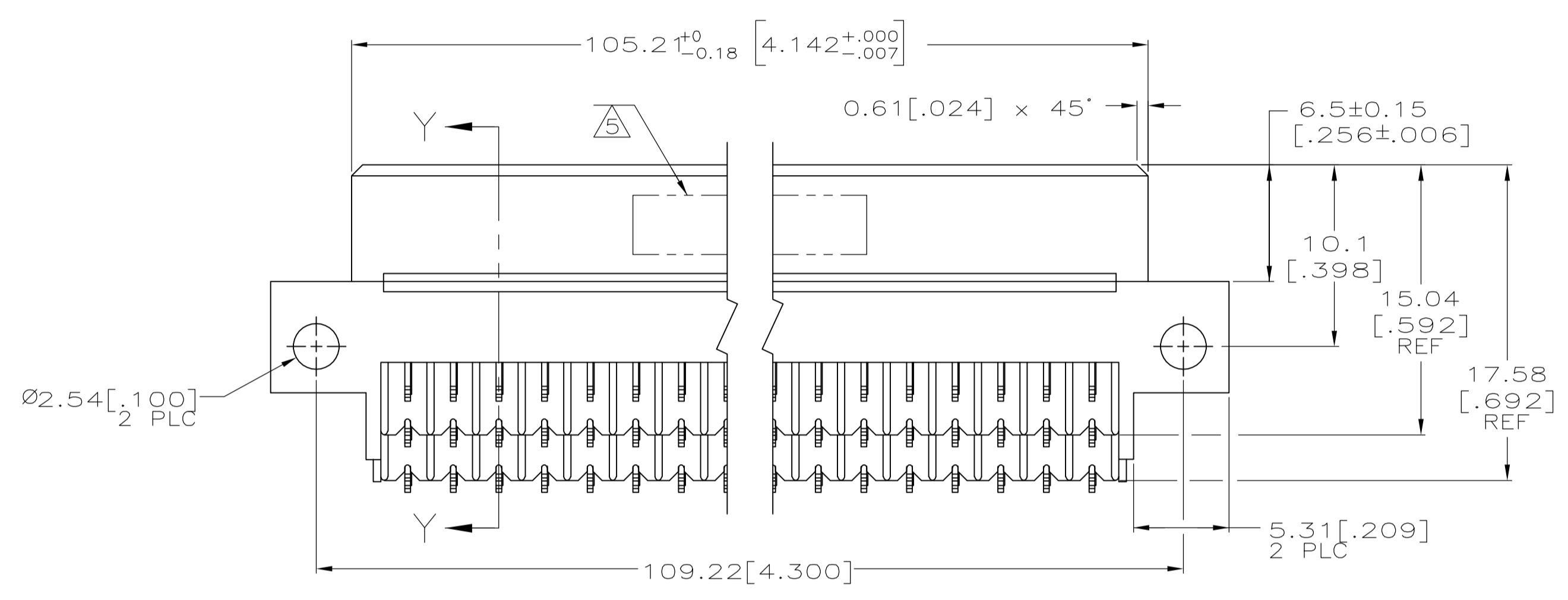
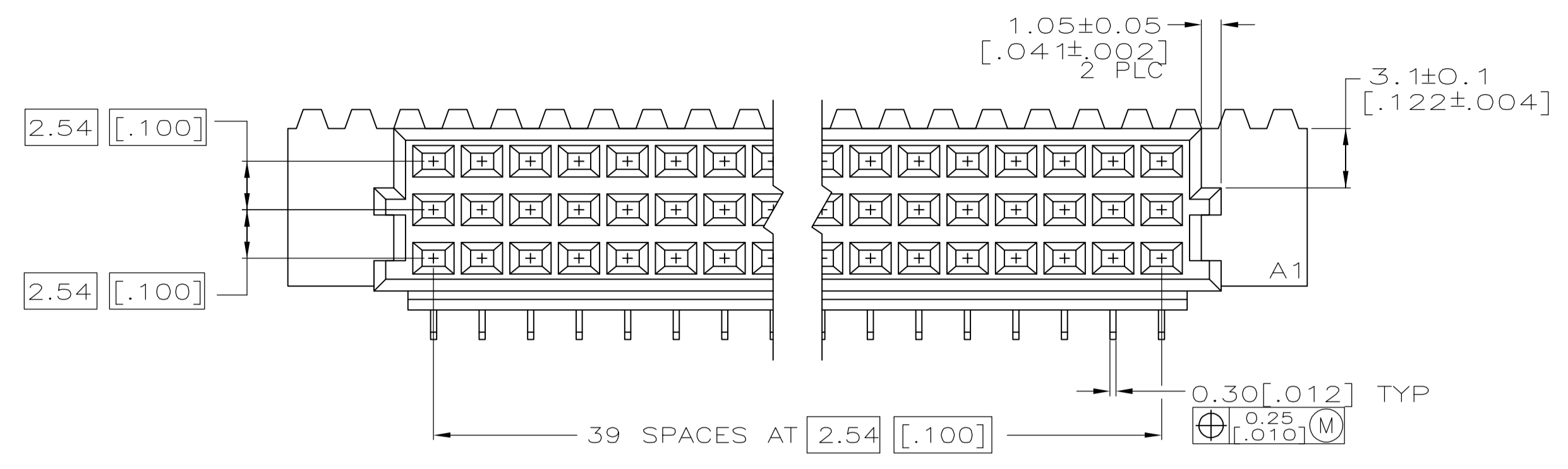


- 1 HOUSING MATERIAL: GLASS-FILLED POLYMER.
- 2 CONTACT MATERIAL: COPPER ALLOY.
- 3 CONTACT FINISH: DIN 41612 CLASS 2 IN CONTACT AREA. TIN PLATE ON POSTS.
- 4 RECOMMENDED HOLE SIZE FOR MANUAL APPLICATION OF CONNECTOR ONTO PC BOARD.
- 5 PART NUMBER, DATE CODE IDENTIFICATION, CSA LOGO, THIS APPROXIMATE AREA.
- 6 CONTACT POINT.
- 7 MARKING ON THIS SIDE.



1 THRU 40	X	X	X	120	5650874-5
1 THRU 40	X	X	X	120	5650874-4
FINISH	POSITIONS LOADED	C	B	A	NO. OF LOADED POSITION
		ROWS LOADED			ASSY PART NUMBER

THIS DRAWING IS A CONTROLLED DOCUMENT.		DIN J. POLIGNONE 03JUN05	Tyco Electronics Corporation Harrisburg, PA 17105-3608	
DIMENSIONS: mm [INCHES]		CHK A. SHARPE 03JUN05	APVD A. SHARPE 03JUN05	
TOLERANCES UNLESS OTHERWISE SPECIFIED:		NAME ASSEMBLY, RECEPTACLE, EUROCARD, TYPE R, 120 POSITION, 2.79[.110] SOLDER POSTS		
0 PLC ± -	1 PLC ± -	APPLICATION SPEC		
2 PLC ± 0.13[0.005]	3 PLC ± -	SIZE A1	CAGE CODE 00779	DRAWING NO. 5650874
4 PLC ± -	ANGLES ± -	WEIGHT -	SCALE 4:1	SHEET 1 OF 1
MATERIAL 1 2	FINISH 3	CUSTOMER DRAWING	REV O	