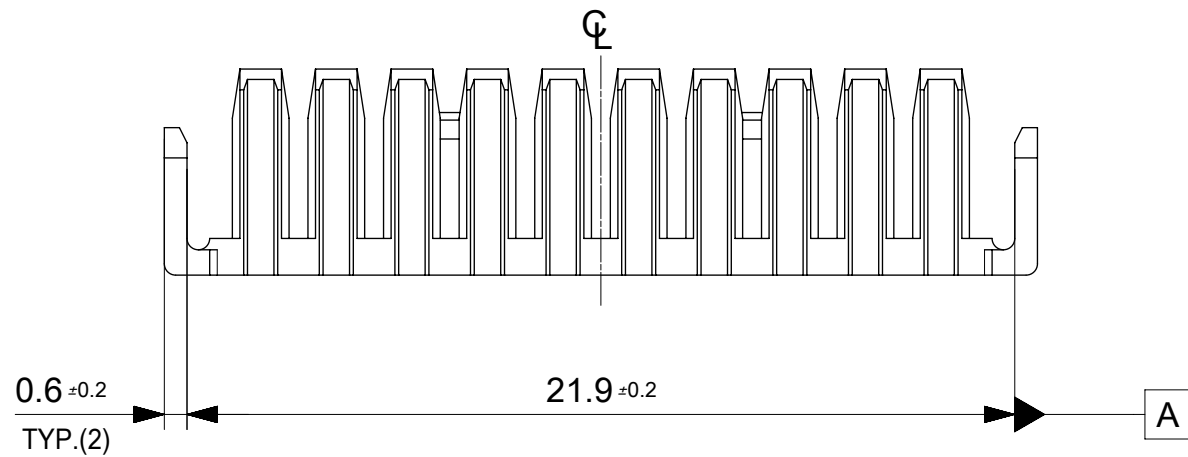
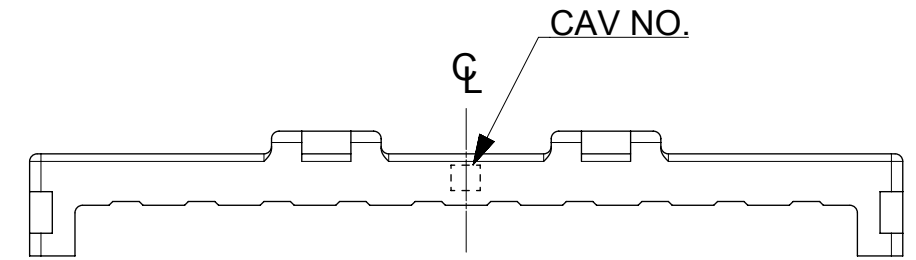
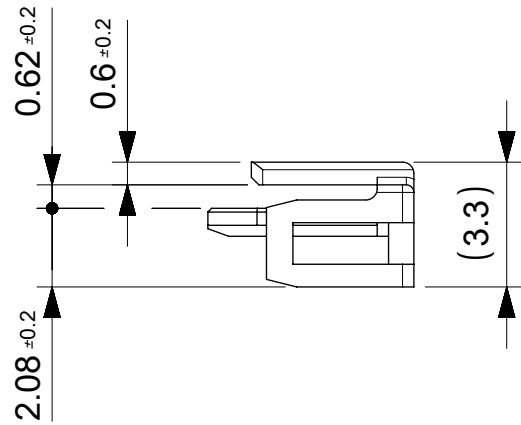
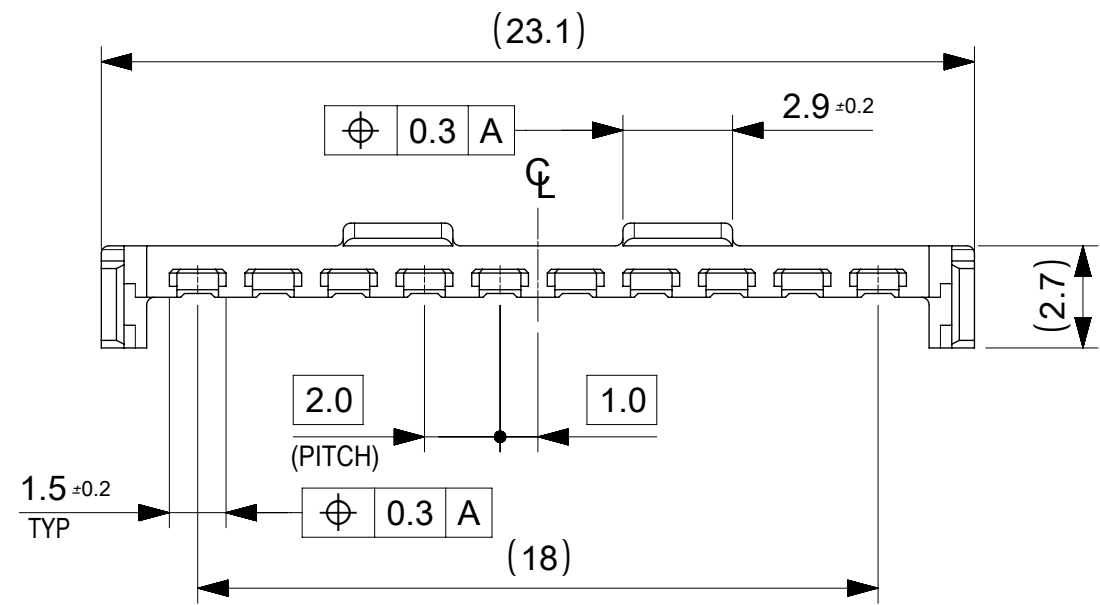
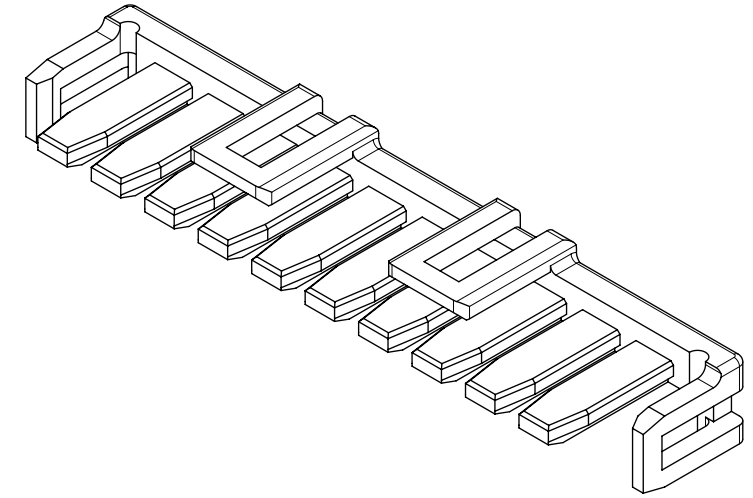


NOTE

- 1.適合ハウジング : 2014932100, 2014942100
APPLICABLE HSG:2014932100, 2014942100
- 2.ELV及びRoHS適合品
ELV AND RoHS COMPLIANT
- 3.材料/MATERIALS
ポリエステル (PBT) ,UL94V-0,黒
POLYESTER(PBT),UL94V-0,BLACK
- 4.製品仕様書 : 2014932100PS000
PRODUCT SPECIFICATION:2014932100PS000



2014952100
ORDER NO.

THIS DRAWING CONTAINS INFORMATION THAT IS PROPRIETARY TO MOLEX ELECTRONIC TECHNOLOGIES, LLC AND SHOULD NOT BE USED WITHOUT WRITTEN PERMISSION

EC NO: 107295 DRWN: TNAKATA CHK'D: THANYU APPR: YNOGAWA	2016/04/08	GENERAL TOLERANCES (UNLESS SPECIFIED)		DIMENSION UNITS	SCALE					
	2016/08/08	ANGULAR TOL ± 3.0 °		MM	5:1					
	2016/08/09	4 PLACES ± 0.03	3 PLACES ± 0.03	DRWN BY	DATE					
	2 PLACES ± 0.05	1 PLACE ± 0.1	TNAKATA	2016/04/08						
		0 PLACES ± 0.2		CHK'D BY	DATE	2.0MM PITCH WIRE TO WIRE CONNECTOR RETAINER LOW-HALOGEN				
				THANYU	2016/08/08					
				APPR BY	DATE	PRODUCT CUSTOMER DRAWING				
				YNOGAWA	2016/08/09	SERIES	MATERIAL NUMBER	CUSTOMER		
						201495	2014952100	GENERAL		
				DRAFT WHERE APPLICABLE MUST REMAIN WITHIN DIMENSIONS	DRAWING SIZE	THIRD ANGLE PROJECTION	DOCUMENT NUMBER	DOC TYPE	DOC PART	SHEET NUMBER
					A3		2014952100	PSD	000	1 OF 1