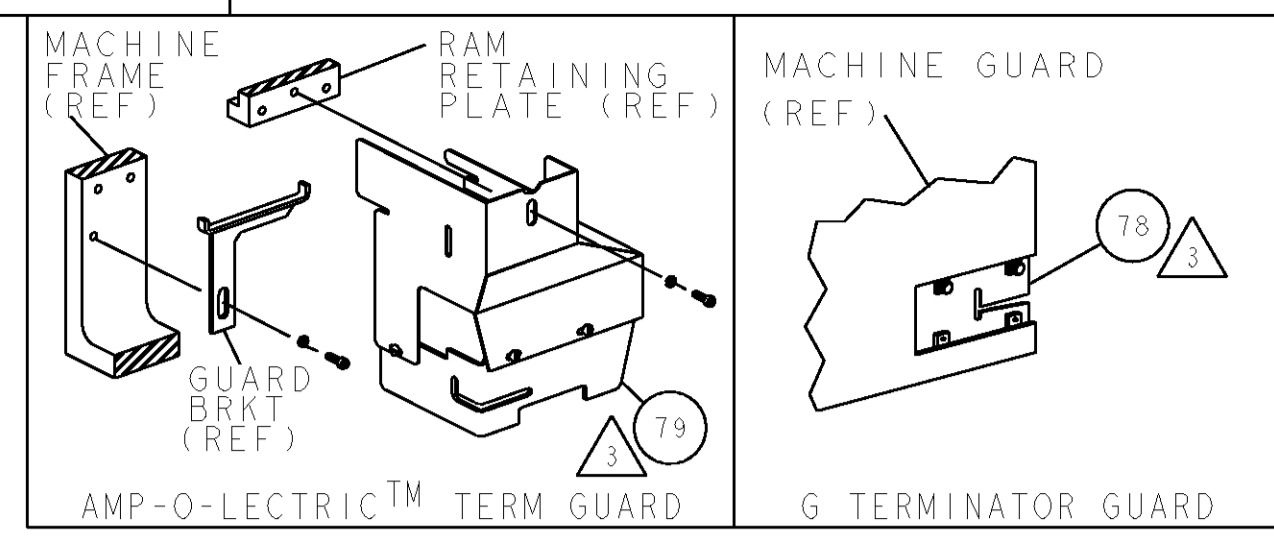
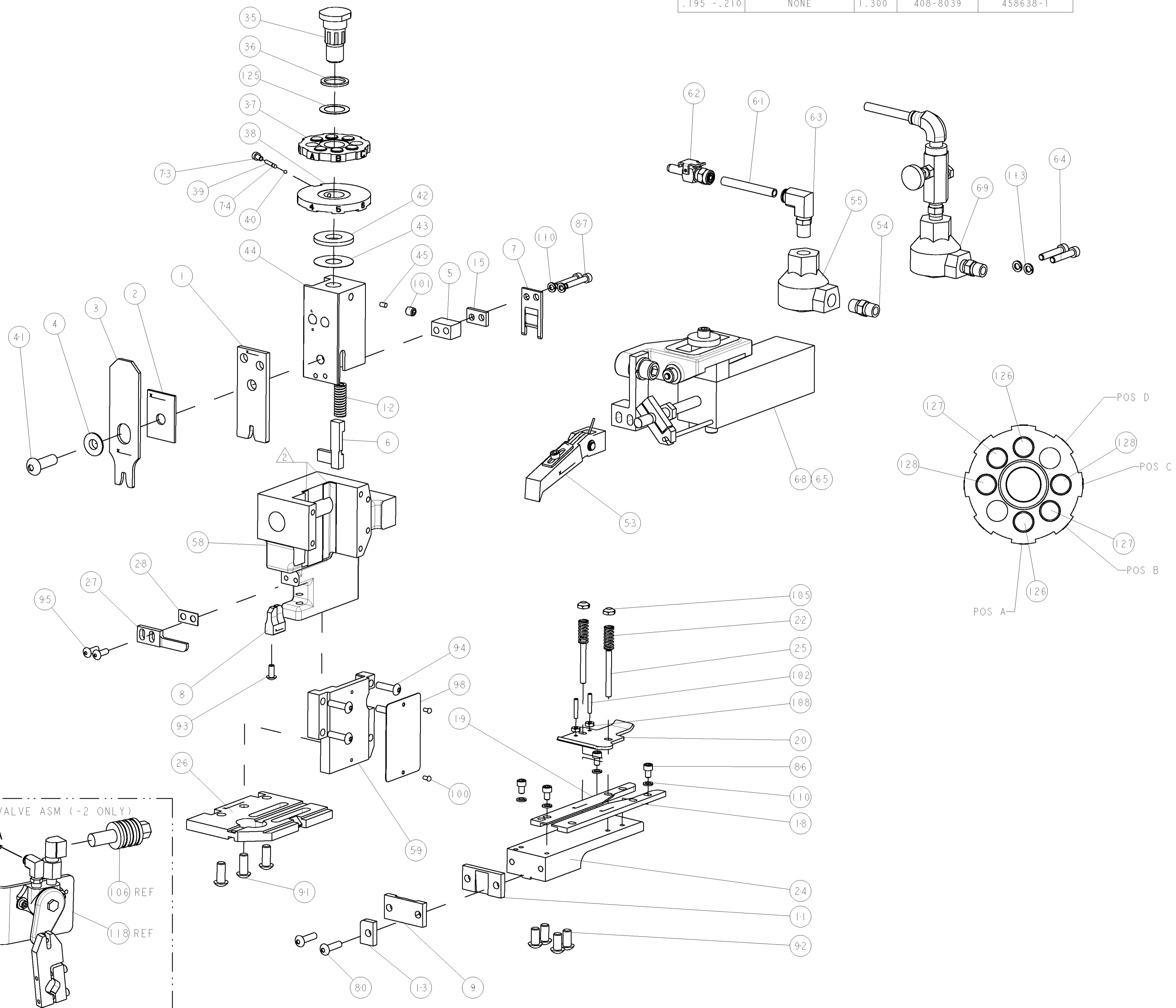


PART NUMBER	REV	FIRST USED	POWER UNIT	FEED TYPE
1852202-1	A	122500-1	LEADMAKER & BENCH MODEL G	AIR FEED
1852202-2	A	565435-5	BENCH MODEL K	AIR FEED
7-1852202-7	A	-	SPARE PARTS	-



TE P/N		FCI P/N		FCI TERMINAL - TE CRIMP SPECS	
1572959		AFF-1434-37			
		PAD LTR		CRIMP HEIGHT	WIRE SIZE
-	-	A		.105±.002 [2.67±0.05mm]	14AWG
-	-	B		.097±.002 [2.46±0.05mm]	16AWG
-	-	C		.092±.002 [2.34±0.05mm]	18AWG
-	-	D		-	-
		CRIMP	SIZE	TYPE	RANGE
-	-	WIRE	.120 [3.05mm]	F	18-14 AWG
-	-	INSUL	.160 [4.06mm]	F	∅.108 MAX
WIRE STRIP LENGTH	TERM APPL SPEC	FEED	APPL INSTRUCTIONS	SET UP GAGE	
.195 - .210	NONE	1.300	408-8039	458638-1	

- △ RECOMMENDED SPARE PARTS
- △ GREASE LIGHTLY
- △ GUARD MUST BE IN PLACE WHEN OPERATING APPLICATOR IN A BENCH MACHINE



LOC		DIST		REVISIONS				
A		66		DESCRIPTION		DATE	DWN	APVD
				RELEASED		21APR2009	RK	GB
-	2	2	-	5-354778-7	PIN, WIRE DISC, .2780			128
-	2	2	-	4-354778-7	PIN, WIRE DISC, .2730			127
-	2	2	-	3-354778-3	PIN, WIRE DISC, .2660			126
-	1	1	-	986950-1	WASHER, FLAT PRECISION			125
-	1	1	-	692655-6	AIR FEED VALVE ASSEMBLY			118
-	2	2	-	21024-5	WASHER, SPRG LOCK, REG NO 10			113
-	6	6	-	21024-4	WASHER, SPRG LOCK, REG NO 8			110
-	2	2	-	21018-4	NUT, HEX, REG 4-40			108
-	1	1	-	24042-2	VALVE, SHUT-OFF			106
-	2	2	-	21022-2	NUT, LOCK, HEX, TORQUE, 8-32			105
-	2	2	-	2-21006-6	SCR, SET, CUP POINT 4-40 X .625			102
-	1	1	-	21009-2	SCR, SET, SELF LOCKING 1/4-20 X .250			101
-	2	2	-	21017-2	SCREW, DRIVE			100
-	1	1	-	461264-1	PLATE, IDENTIFICATION			98
-	2	2	-	2-21002-2	SCR, BTN SKT HD CAP 8-32 X .500			95
-	4	4	-	2-21002-9	SCR, BTN SKT HD CAP 10-32 X .750			94
-	1	1	-	22733-8	SCR, BHSC, SELF-LOCKING, 8-32 X .375			93
-	4	4	-	3-21002-3	SCR, BTN SKT HD CAP 1/4-20 X .500			92
-	3	3	-	2-22733-8	SCR, BHSC, SELF-LOCKING, 1/4-20 X .625			91
-	2	2	-	3-21000-1	SCR, SKT HD CAP 8-32 X 1.000			87
-	4	4	-	2-21000-5	SCR, SKT HD CAP 8-32 X .250			86
-	2	2	-	2-21002-9	SCR, BTN SKT HD CAP 10-32 X .750			80
△	REF	REF	-	455745-1	GUARD WINDOW			79
△	REF	REF	-	679532-1	INSERT, GUARD			78
-	1	1	-	690603-1	SPRING ASSIST AMP-O-MATOR APPLICATOR			74
-	1	1	-	23030-1	SCR, SKT HD CAP 6-32 X .25			73
-	1	1	-	217238-1	GENERAL INSTRUCTION PKG			72
-	1	1	-	4088039	EF APPL INST 408-8039			71
-	1	1	-	692655-5	AIR FEED VALVE ASSEMBLY			69
-	1	1	-	1-460277-9	AIR FEED ASSY			68
-	1	1	-	1-460277-5	AIR FEED ASSY			65
-	2	2	-	3-21000-9	SCR, SKT HD CAP 10-32 X 1.000			64
-	1	1	-	980285-2	CONNECTOR, ELBOW, 90°, MINI			63
-	1	1	-	23238-1	INSERT, COUPLING			62
-	12	12	IN	27319-4	TUBING, POLY-FLO, NATURAL			61
-	1	1	-	454220-1	CAP, RAM			59
-	1	1	-	453736-1	HOUSING, APPLICATOR			58
-	1	1	-	22374-7	VALVE, QUICK EXHAUST			55
-	1	1	-	22304-1	NIPPLE, HEX, PIPE FITTING			54
-	1	1	-	460680-1	FEED FINGER ASSEMBLY			53
-	1	1	-	690191-1	PLUG, NYLON			45
-	1	1	-	455674-1	RAM			44
-	1	1	-	690125-1	SHIM SUB-ASSY			43
-	1	1	-	690124-1	WASHER, RAM (.115)			42
-	1	1	-	7-21002-9	SCR, BTN SKT HD CAP 5/16-24 X 1.00			41
-	1	1	-	23241-6	BALL, STEEL			40
-	1	1	-	690170-1	SPRING, COMPRESSION			39
-	1	1	-	690142-1	DISC, INSULATION			38
-	1	1	-	354777-1	WIRE DISC, ASSEMBLY			37
-	1	1	-	22480-5	SPRING, COMPRESSION			36
-	1	1	-	690212-1	POST, RAM			35
-	1	1	-	1-690451-7	SPACER, STRIPPER			28
-	1	1	-	240639-1	STRIPPER (MACHINING)			27
-	1	1	-	455676-1	PLATE, BASE			26
-	2	2	-	22354-8	STUD, THREADED			25
-	1	1	-	455678-1	PLATE, STRIP GUIDE			24
-	2	2	-	4-22281-1	SPRING, DRAG			22
-	1	1	-	454177-1	DRAG			20
-	1	1	-	2-458030-8	STRIP GUIDE, REAR			19
-	1	1	-	2-458031-8	STRIP GUIDE, FRONT			18
-	1	1	-	5-240641-2	SPACER			15
-	1	1	-	690481-2	SPACER, HOLD DOWN			13
-	1	1	-	23846-1	SPRING, DIE			12
△	1	1	-	240644-1	PLATE, REAR SHEAR			11
-	1	1	-	-	-			10
△	1	1	-	690482-3	PLATE, FRONT SHEAR			9
△	1	1	-	1633248-6	ANVIL, COMBINATION			8
△	1	1	-	690474-3	BLADE, SLUG			7
-	1	1	-	3-455892-4	HOLD DOWN, TERMINAL			6
-	1	1	-	2-240641-6	SPACER			5
-	1	1	-	238009-4	BLOCK, FL CRIMPER SPACER			4
△	1	1	-	683453-1	CRIMPER, INSULATION PREMIUM			3
△	1	1	-	1-455888-6	SPACER, CRIMPER			2
△	1	1	-	456423-2	CRIMPER, WIRE PREMIUM			1
-77	-2	-1	U/M	PART NO	DESCRIPTION	ITEM NO		

DIMENSIONS:		TOLERANCES UNLESS OTHERWISE SPECIFIED:		DWN		APVD		NAME	
INCHES		0 PLC ±.01		R. KNEPPER		21APR2009		Tyco Electronics	
1 PLC ±.01		1 PLC ±.01		G. BAILEY		21APR2009		Tyco Electronics	
2 PLC ±.001		3 PLC ±.001		N. DEMING		21APR2009		Harrisburg, PA 17105-3608	
4 PLC ±.0001		ANGLES ±.0001		PRODUCT SPEC		END FEED HDM APPLICATOR		RESTRICTED TO	
MATERIAL		FINISH		WEIGHT		SIZE		SCALE	
						A1		3:5	
CUSTOMER DRAWING				CAGE CODE		DRAWING NO		SHEET	
				00779		1852202		1 OF 1	
								REV A	

CUSTOMER VIEWABLE ASSEMBLY