



FOD050L, FOD250L: Single Channel FOD053L: Dual Channel LVTTTL/LVCMOS 3.3V High Speed Transistor Optocouplers

Features

- Low power consumption
- High speed
- Available in single channel 8-pin DIP (FOD250L), 8-pin SOIC (FOD050L) or dual channel 8-pin SOIC (FOD053L)
- Superior CMR – $CM_H = 50kV/\mu s$ (typical) and $CM_L = 35kV/\mu s$ (typical)
- Guaranteed performance over temperature: 0°C to 70°C
- U.L. recognized (File # E90700)
- VDE pending

Applications

- Line receivers
- Pulse transformer replacement
- High speed logic ground isolation: LVTTTL/LVCMOS
- Wide bandwidth analog coupling

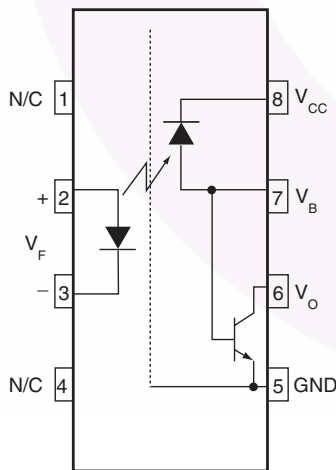
Description

The FOD250L, FOD050L and FOD053L optocouplers consist of an AlGaAs LED optically coupled to a high speed photodetector transistor. These devices are specified for operation at a 3.3V supply voltage.

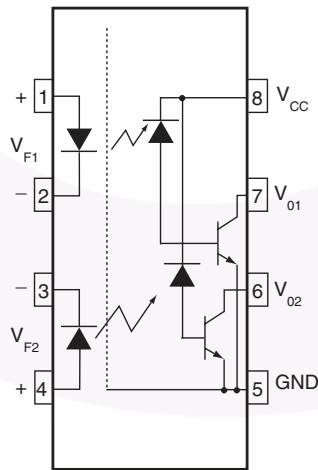
A separate connection for the bias of the photodiode improves the speed by several orders of magnitude over conventional phototransistor optocouplers by reducing the base-collector capacitance of the input transistor.

An internal noise shield provides superior common mode rejection of $CM_H = 50kV/ms$ (typical) and $CM_L = 35kV/ms$ (typical).

Schematics

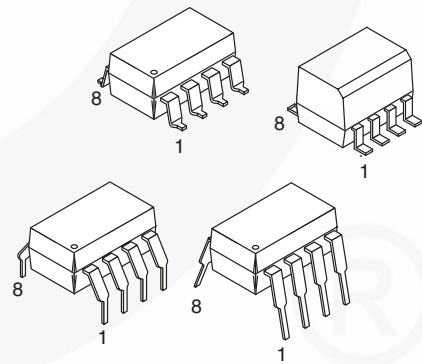


FOD050L, FOD250L



FOD053L

Package Outlines



Truth Table

LED	V_O
On	LOW
Off	HIGH

Absolute Maximum Ratings ($T_A = 25^\circ\text{C}$ unless otherwise specified.)

Stresses exceeding the absolute maximum ratings may damage the device. The device may not function or be operable above the recommended operating conditions and stressing the parts to these levels is not recommended. In addition, extended exposure to stresses above the recommended operating conditions may affect device reliability. The absolute maximum ratings are stress ratings only.

Symbol	Parameter		Value	Units
T_{STG}	Storage Temperature		-40 to +125	$^\circ\text{C}$
T_{OPR}	Operating Temperature		-40 to +85	$^\circ\text{C}$
T_{SOL}	Lead Solder Temperature (Wave solder only)		260 for 10 sec	$^\circ\text{C}$
EMITTER				
I_F (avg)	DC/Average Forward Input Current	Each Channel	25	mA
I_F (pk)	Peak Forward Input Current (50% duty cycle, 1ms P.W.)	Each Channel	50	mA
I_F (trans)	Peak Transient Input Current ($\leq 1 \mu\text{s}$ P.W., 300pps)	Each Channel	1.0	A
V_R	Reverse Input Voltage	Each Channel	5	V
P_D	Input Power Dissipation (No derating required up to 85°C)	Each Channel	45	mW
DETECTOR				
I_O (avg)	Average Output Current	Each Channel	8	mA
I_O (pk)	Peak Output Current	Each Channel	16	mA
V_{EBR}	Emitter-Base Reverse Voltage	FOD050L, FOD250L only	5	V
V_{CC}	Supply Voltage		-0.5 to 7	V
V_O	Output Voltage		-0.5 to 7	V
I_B	Base Current	FOD050L, FOD250L only	5	mA
P_D	Output Power Dissipation (No derating required up to 85°C)	Each Channel	100	mW

Electrical Characteristics (T_A = 0 to 70°C unless otherwise specified.)

Individual Component Characteristics

Symbol	Parameter	Test Conditions	Device	Min.	Typ.*	Max.	Unit
EMITTER							
V _F	Input Forward Voltage	I _F = 16mA, T _A = 25°C	All		1.45	1.7	V
		I _F = 16mA				1.8	
B _{VR}	Input Reverse Breakdown Voltage	I _R = 10μA	All	5.0			V
DETECTOR							
I _{OH}	Logic High Output Current	I _F = 0mA, V _O = V _{CC} = 3.3V, T _A = 25°C	All		0.001	1	μA
I _{CCL}	Logic Low Supply Current	I _F = 16mA, V _O = Open, V _{CC} = 3.3V	FOD050L FOD250L			200	μA
		I _{F1} = I _{F2} = 16mA, V _O = Open, V _{CC} = 3.3V	FOD053L			400	
I _{CCH}	Logic High Supply Current	I _F = 0mA, V _O = Open, V _{CC} = 3.3V, T _A = 25°C	FOD050L FOD250L			0.3	μA
		I _F = 0mA, V _O = Open, V _{CC} = 3.3V	FOD053L			10	

**All Typicals at T_A = 25°C

Transfer Characteristics

Symbol	Parameter	Test Conditions	Device	Min.	Typ.**	Max.	Unit
COUPLED							
CTR	Current Transfer Ratio ⁽¹⁾	I _F = 16mA, V _O = 0.4 V, V _{CC} = 3.3V, T _A = 25°C	All	15		50	%
V _{OL}	Logic Low Output Voltage Output Voltage	I _F = 16mA, I _O = 3mA, V _{CC} = 3.3V, T _A = 25°C	All			0.3	V

*All Typicals at T_A = 25°C

Note:

1. Current Transfer Ratio is defined as a ratio of output collector current, I_O, to the forward LED input current, I_F, times 100%.

Electrical Characteristics (Continued) ($T_A = 0$ to 70°C unless otherwise specified.)

Switching Characteristics ($V_{CC} = 3.3\text{V}$)

Symbol	Parameter	Test Conditions	Device	Min.	Typ.**	Max.	Unit
T_{PHL}	Propagation Delay Time to Logic LOW	$R_L = 1.9\text{k}\Omega$, $I_F = 16\text{mA}^{(2)}$ (Fig. 10)	25°C	All		1.0	μs
						2.0	
T_{PLH}	Propagation Delay Time to Logic HIGH	$R_L = 1.9\text{k}\Omega$, $I_F = 16\text{mA}^{(2)}$ (Fig. 10)	25°C	All		1.0	μs
						2.0	
ICM_{HI}	Common Mode Transient Immunity at Logic HIGH	$I_F = 0\text{mA}$, $V_{CM} = 1,000\text{V}_{P-P}$, $R_L = 4.1\text{k}\Omega$, $T_A = 25^\circ\text{C}^{(3,4)}$ (Fig. 11)	All	5,000	50,000		$\text{V}/\mu\text{s}$
						$I_F = 0\text{mA}$, $V_{CM} = 1,000\text{V}_{P-P}$, $T_A = 25^\circ\text{C}$, $R_L = 1.9\text{k}\Omega^{(2,4)}$ (Fig. 11)	
ICM_{LI}	Common Mode Transient Immunity at Logic LOW	$I_F = 16\text{mA}$, $V_{CM} = 1,000\text{V}_{P-P}$, $R_L = 4.1\text{k}\Omega$, $T_A = 25^\circ\text{C}^{(3,4)}$ (Fig. 11)	All	5,000	35,000		$\text{V}/\mu\text{s}$
						$I_F = 16\text{mA}$, $V_{CM} = 1,000\text{V}_{P-P}$, $R_L = 1.9\text{k}\Omega^{(2,4)}$ (Fig. 11)	

Isolation Characteristics

Symbol	Characteristics	Test Conditions	Device	Min.	Typ.**	Max.	Unit
I_{I-O}	Input-Output Insulation Leakage Current	Relative humidity = 45%, $T_A = 25^\circ\text{C}$, $t = 5\text{s}$, $V_{I-O} = 3000\text{VDC}^{(5)}$	All			1.0	μA
V_{ISO}	Withstand Insulation Test Voltage	$f = 60\text{Hz}$, $T_A = 25^\circ\text{C}$, $t = 1\text{min.}^{(5)}$	FOD050L FOD053L	2500			V_{RMS}
			FOD250L	5000			
R_{I-O}	Resistance (input to output)	$V_{I-O} = 500\text{VDC}^{(5)}$	All	10^{11}	10^{12}		Ω
C_{I-O}	Capacitance (input to output)	$f = 1\text{MHz}^{(5)}$	All		0.2		pF

*All Typical at $T_A = 25^\circ\text{C}$

Notes:

- The $1.9\text{k}\Omega$ load represents 1 TTL unit load of 1.6mA and $5.6\text{k}\Omega$ pull-up resistor.
- The $4.1\text{k}\Omega$ load represents 1 LSTTL unit load of 0.36mA and $6.1\text{k}\Omega$ pull-up resistor.
- Common mode transient immunity in logic high level is the maximum tolerable (positive) dV_{CM}/dt on the leading edge of the common mode pulse signal V_{CM} ; to assure that the output will remain in a logic high state (i.e., $V_O > 2.0\text{V}$). Common mode transient immunity in logic low level is the maximum tolerable (negative) dV_{CM}/dt on the trailing edge of the common mode pulse signal, V_{CM} , to assure that the output will remain in a logic low state (i.e., $V_O < 0.8\text{V}$).
- Device is considered a two terminal device: Pins 1, 2, 3 and 4 are shorted together and Pins 5, 6, 7 and 8 are shorted together.

Typical Performance Curves

Fig. 1 LED Forward Current vs. Forward Voltage

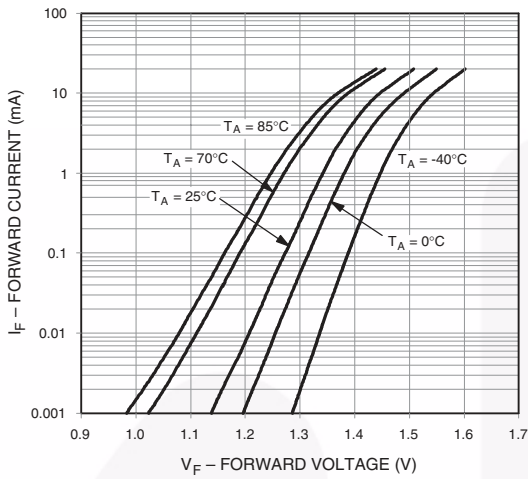


Fig. 2 Current Transfer Ratio vs. Forward Current (FOD050L, FOD053L)

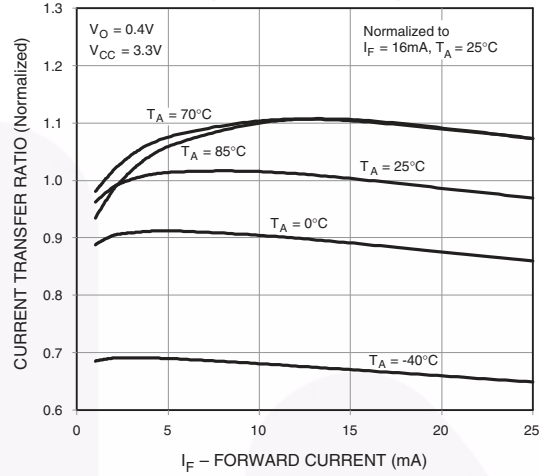


Fig. 3 Current Transfer Ratio vs. Input Forward Current (FOD250L)

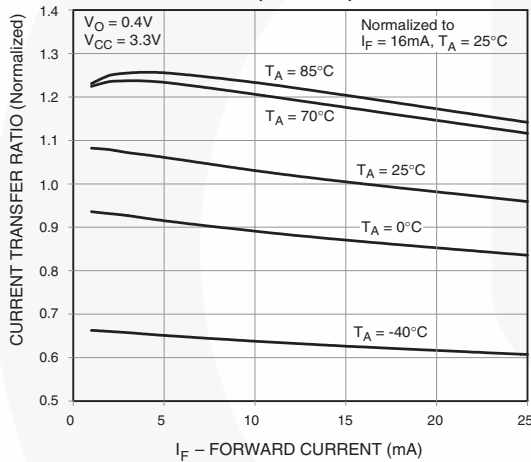


Fig. 4 Current Transfer Ratio vs. Ambient Temperature

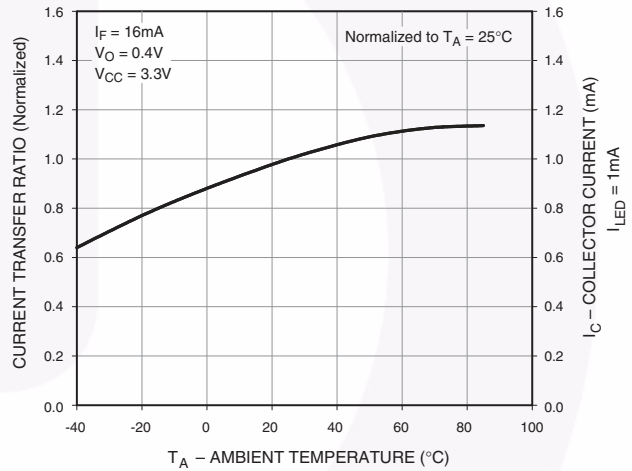


Fig. 5 Output Current vs. Output Voltage

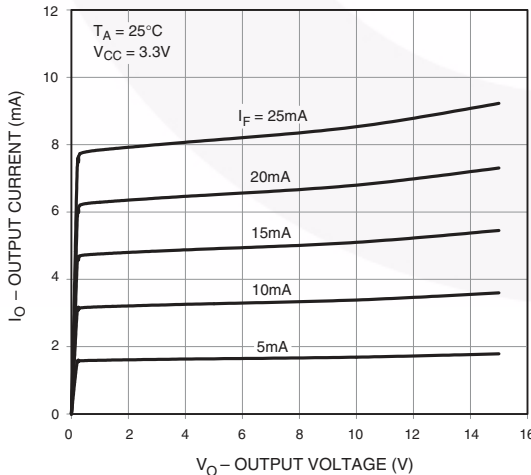
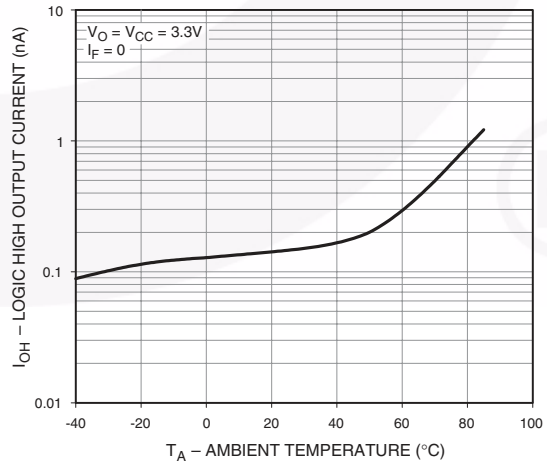


Fig. 6 Logic High Output Current vs. Ambient Temperature



Typical Performance Curves (Continued)

Fig. 7 Supply Current vs. Input Forward Current

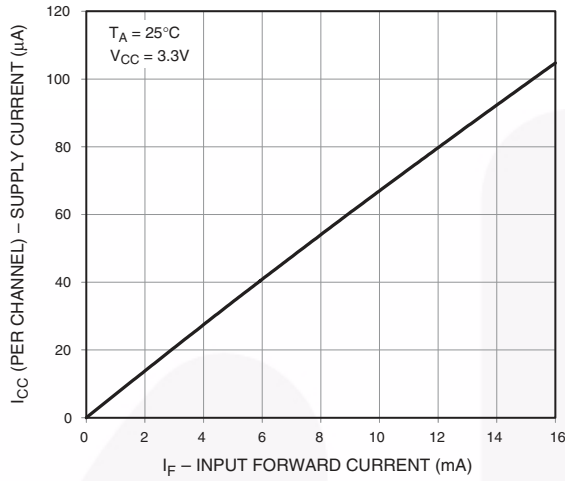


Fig. 8 Propagation Delay vs. Ambient Temperature

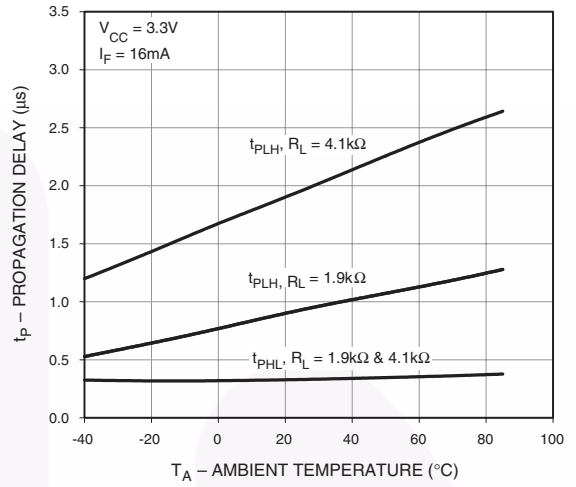
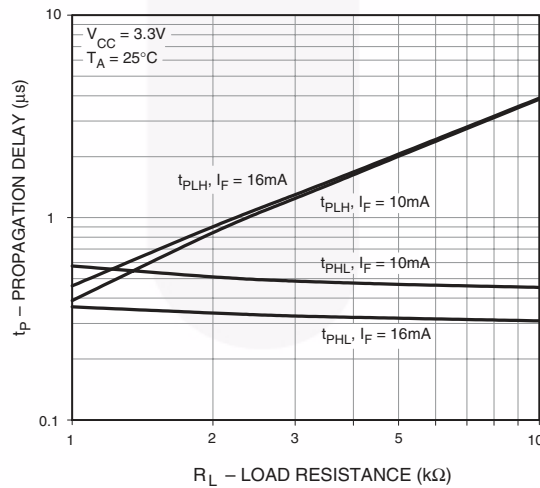


Fig. 9 Propagation Delay vs. Load Resistance



Test Circuits

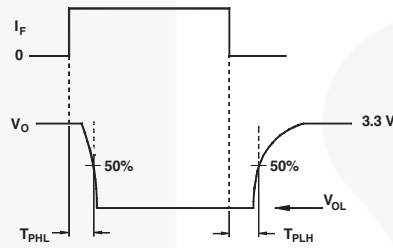
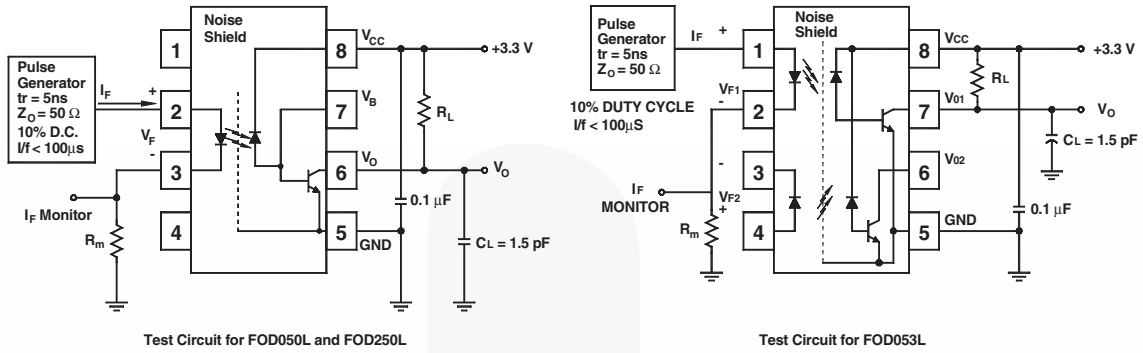


Fig. 10 Switching Time Test Circuit

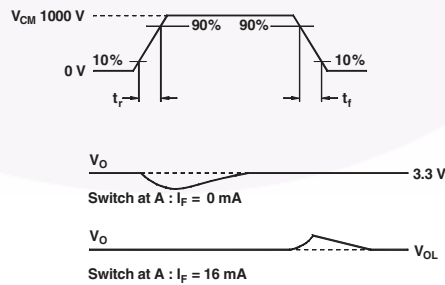
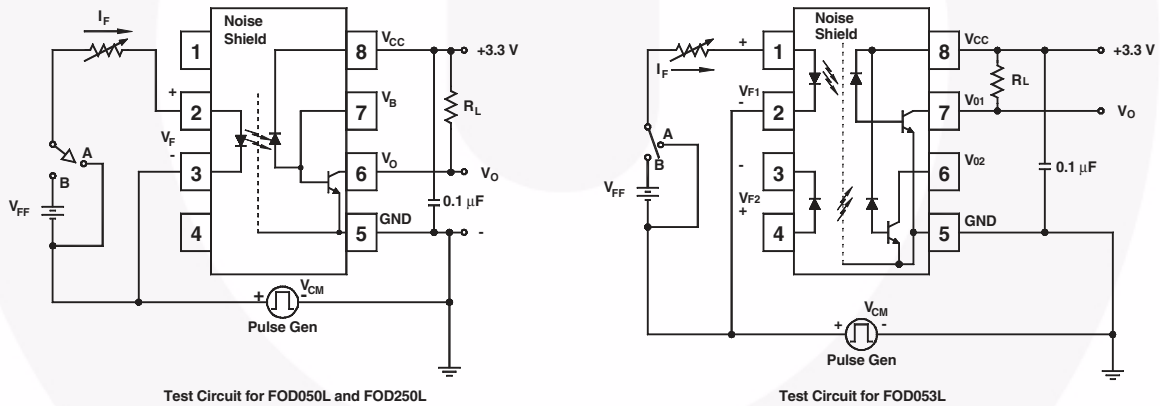
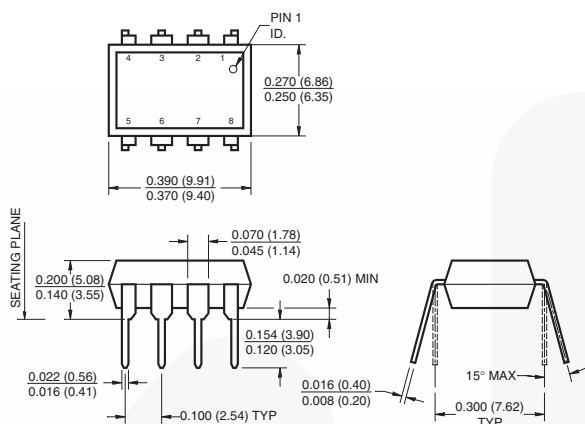


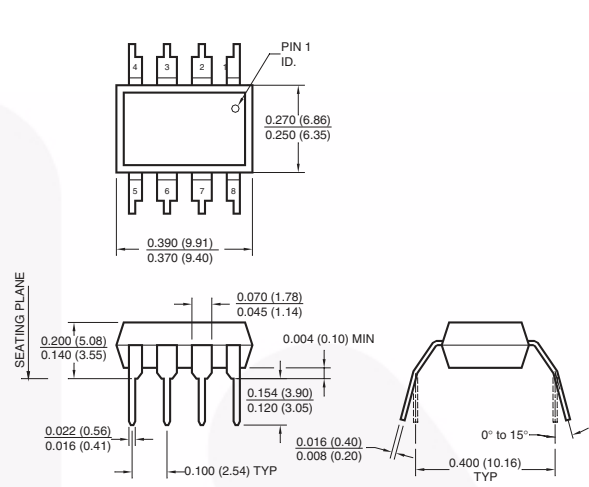
Fig. 11 Common Mode Immunity Test Circuit

Package Dimensions

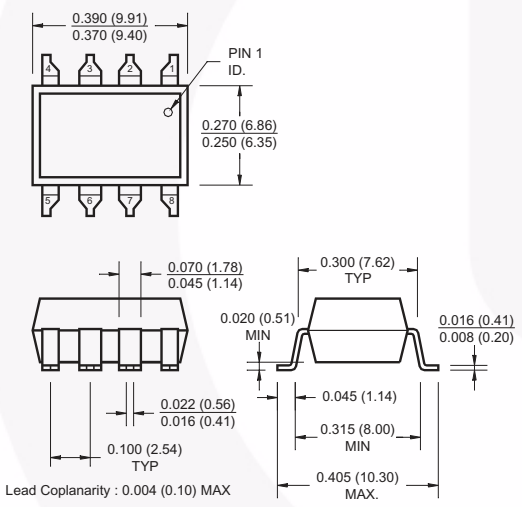
Through Hole



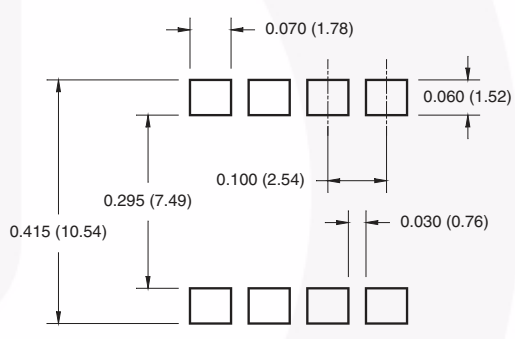
0.4" Lead Spacing



Surface Mount



8-Pin DIP – Land Pattern

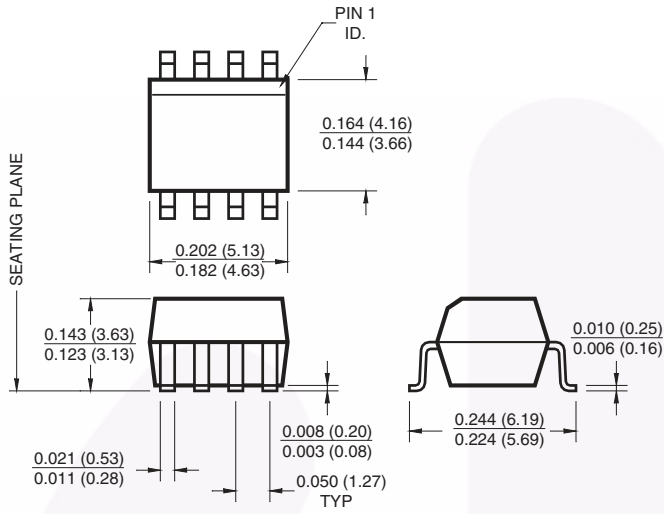


Note:
All dimensions are in inches (millimeters)



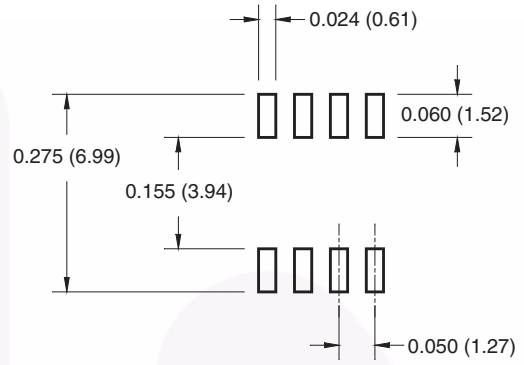
Package Dimensions (Continued) (8-Pin SOIC)

Surface Mount



Lead Coplanarity : 0.004 (0.10) MAX

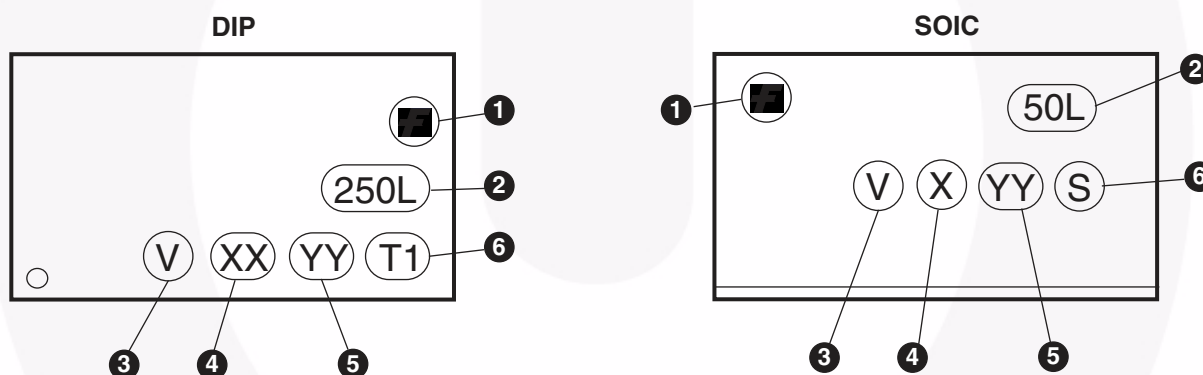
8-Pin Small Outline



Ordering Information

Option	Order Entry Identifier	Description
No Suffix	FOD250L	Through Hole (DIP package only)
	FOD050L	Surface Mount Lead Form (SOIC-8 package only)
S	FOD250LS	Surface Mount Lead Bend (DIP package only)
SD	FOD250LSD	Surface Mount; Tape and reel (DIP package only)
SV	Pending Approval	Surface Mount; VDE0884 (DIP package only)
SDV	Pending Approval	Surface Mount; Tape and reel, VDE0884 (1000 units per reel) (DIP package only)
T	FOD250LT	0.4" Lead Spacing (DIP package only)
TV	Pending Approval	0.4" Lead Spacing, VDE0884 (DIP package only)
R1	FOD050LR1	Tape and Reel (500 units per reel) (SOIC-8 package only)
R1V	Pending Approval	VDE, Tape and Reel (500 units per reel) (SOIC-8 package only)
R2	FOD050LR2	Tape and Reel (2500 units per reel) (SOIC-8 package only)
R2V	Pending Approval	VDE, Tape and Reel (2500 units per reel) (SOIC-8 package only)
V	Pending Approval	VDE (SOIC-8 package only)

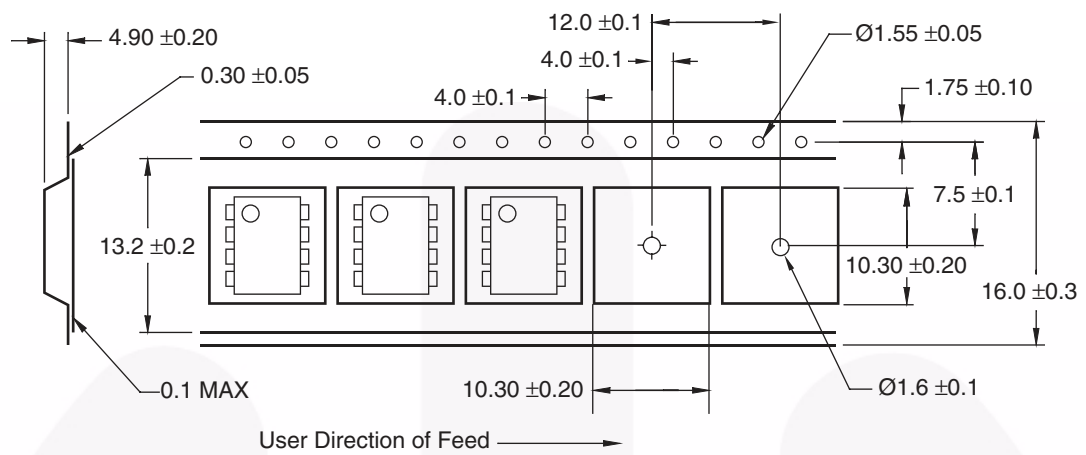
Marking Information



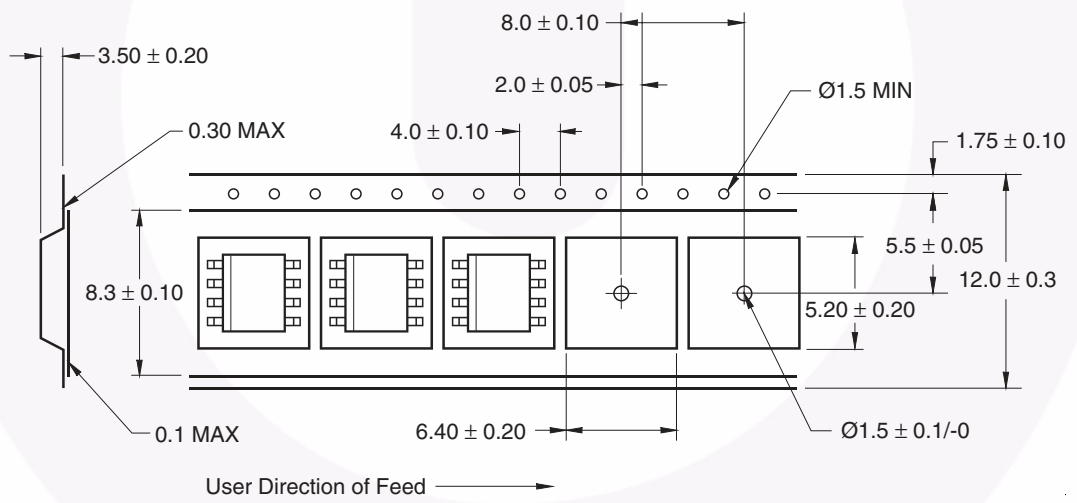
Definitions	
1	Fairchild logo
2	Device number
3	VDE mark (Note: Only appears on parts ordered with VDE option – See order entry table)
4 (DIP)	Two digit year code, e.g., '03'
4 (SOIC)	One digit year code, e.g., '3'
5	Two digit work week ranging from '01' to '53'
6	Assembly package code

Carrier Tape Specification

8-Pin DIP (FOD250L)



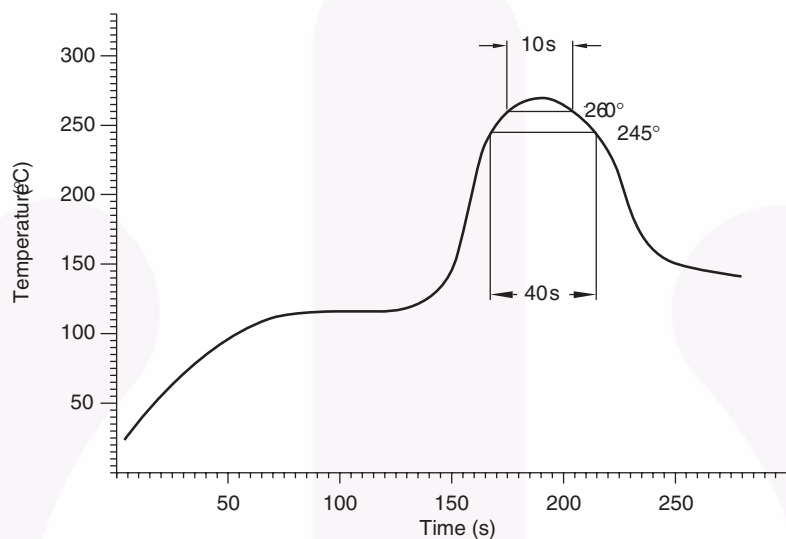
8-Pin SOIC (FOD050L, FOD053L)



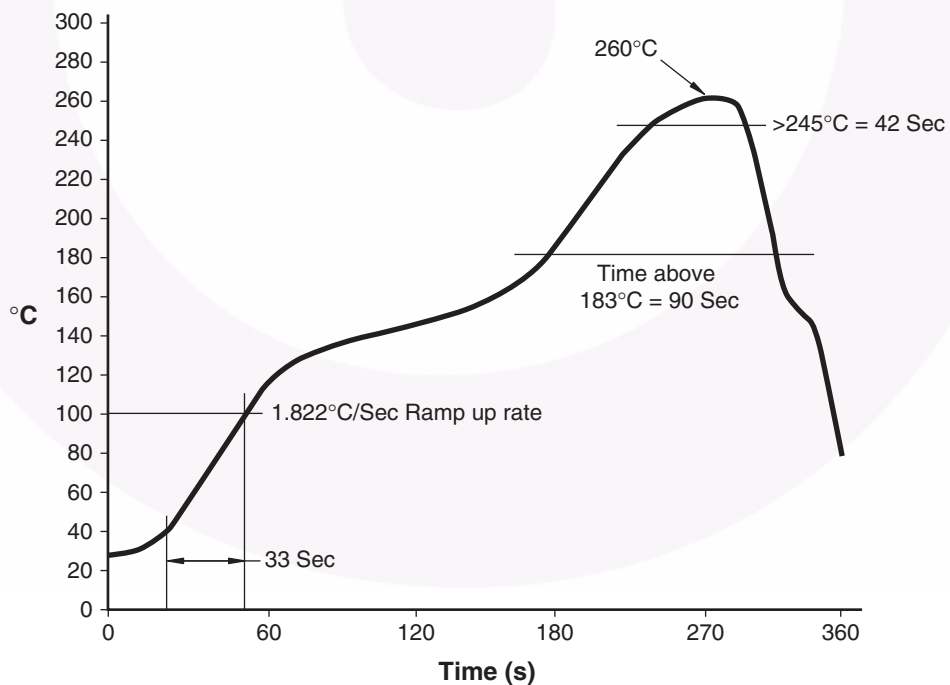
Reflow Profile

8-Pin DIP (FOD250L)

- Peak reflow temperature 260°C (package surface temperature)
- Time of temperature higher than 245°C 40 seconds or less
- Number of reflows Three



8-Pin SOIC (FOD050L, FOD053L)



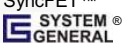



Build it Now™
 CorePLUS™
 CorePOWER™
 CROSSVOLT™
 CTL™
 Current Transfer Logic™
 EcoSPARK®
 EfficientMax™
 EZSWITCH™ *




Fairchild®
 Fairchild Semiconductor®
 FACT Quiet Series™
 FACT®
 FAST®
 FastvCore™
 FlashWriter® *

FPS™
 F-PFS™
 FRFET®
 Global Power ResourceSM
 Green FPS™
 Green FPS™ e-Series™
 GTO™
 IntelliMAX™
 ISOPLANAR™
 MegaBuck™
 MICROCOUPLER™
 MicroFET™
 MicroPak™
 MillerDrive™
 MotionMax™
 Motion-SPM™
 OPTOLOGIC®
 OPTOPLANAR®

PDP SPM™
 Power-SPM™
 PowerTrench®
 Programmable Active Droop™
 QFET®
 QS™
 Quiet Series™
 RapidConfigure™
 Saving our world, 1mW at a time™
 SmartMax™
 SMART START™
 SPM®
 STEALTH™
 SuperFET™
 SuperSOT™3
 SuperSOT™6
 SuperSOT™8
 SupreMOS™
 SyncFET™


The Power Franchise®
 the
power
 franchise
 TinyBoost™
 TinyBuck™
 TinyLogic®
 TINYOPTO™
 TinyPower™
 TinyPWM™
 TinyWire™
 SerDes™

 UHC®
 Ultra FRFET™
 UniFET™
 VCX™
 VisualMax™

* EZSWITCH™ and FlashWriter® are trademarks of System General Corporation, used under license by Fairchild Semiconductor.

DISCLAIMER

FAIRCHILD SEMICONDUCTOR RESERVES THE RIGHT TO MAKE CHANGES WITHOUT FURTHER NOTICE TO ANY PRODUCTS HEREIN TO IMPROVE RELIABILITY, FUNCTION, OR DESIGN. FAIRCHILD DOES NOT ASSUME ANY LIABILITY ARISING OUT OF THE APPLICATION OR USE OF ANY PRODUCT OR CIRCUIT DESCRIBED HEREIN; NEITHER DOES IT CONVEY ANY LICENSE UNDER ITS PATENT RIGHTS, NOR THE RIGHTS OF OTHERS. THESE SPECIFICATIONS DO NOT EXPAND THE TERMS OF FAIRCHILD'S WORLDWIDE TERMS AND CONDITIONS, SPECIFICALLY THE WARRANTY THEREIN, WHICH COVERS THESE PRODUCTS.

LIFE SUPPORT POLICY

FAIRCHILD'S PRODUCTS ARE NOT AUTHORIZED FOR USE AS CRITICAL COMPONENTS IN LIFE SUPPORT DEVICES OR SYSTEMS WITHOUT THE EXPRESS WRITTEN APPROVAL OF FAIRCHILD SEMICONDUCTOR CORPORATION.

As used herein:

1. Life support devices or systems are devices or systems which, (a) are intended for surgical implant into the body or (b) support or sustain life, and (c) whose failure to perform when properly used in accordance with instructions for use provided in the labeling, can be reasonably expected to result in a significant injury of the user.
2. A critical component in any component of a life support, device, or system whose failure to perform can be reasonably expected to cause the failure of the life support device or system, or to affect its safety or effectiveness.

ANTI-COUNTERFEITING POLICY

Fairchild Semiconductor Corporation's Anti-Counterfeiting Policy. Fairchild's Anti-Counterfeiting Policy is also stated on our external website, www.fairchildsemi.com, under Sales Support.

Counterfeiting of semiconductor parts is a growing problem in the industry. All manufacturers of semiconductor products are experiencing counterfeiting of their parts. Customers who inadvertently purchase counterfeit parts experience many problems such as loss of brand reputation, substandard performance, failed applications, and increased cost of production and manufacturing delays. Fairchild is taking strong measures to protect ourselves and our customers from the proliferation of counterfeit parts. Fairchild strongly encourages customers to purchase Fairchild parts either directly from Fairchild or from Authorized Fairchild Distributors who are listed by country on our web page cited above. Products customers buy either from Fairchild directly or from Authorized Fairchild Distributors are genuine parts, have full traceability, meet Fairchild's quality standards for handling and storage and provide access to Fairchild's full range of up-to-date technical and product information. Fairchild and our Authorized Distributors will stand behind all warranties and will appropriately address any warranty issues that may arise. Fairchild will not provide any warranty coverage or other assistance for parts bought from Unauthorized Sources. Fairchild is committed to combat this global problem and encourage our customers to do their part in stopping this practice by buying direct or from authorized distributors.

PRODUCT STATUS DEFINITIONS

Definition of Terms

Datasheet Identification	Product Status	Definition
--------------------------	----------------	------------