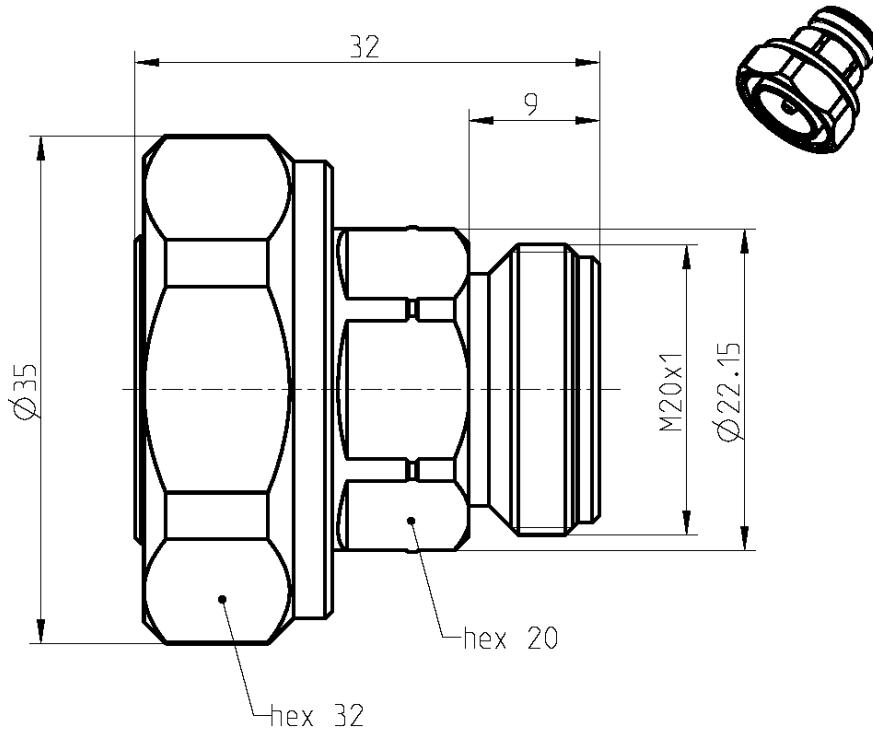


7-16  
4.1-9.5

Adaptor  
7-16 Plug – 4.1-9.5 Jack

**60S165-KIMN1**



All dimensions are in mm; tolerances according to ISO 2768 m-H

**Interface**

|              |               |                                   |
|--------------|---------------|-----------------------------------|
| According to | 4.1-9.5 side: | IEC 60169-11, DIN 47231           |
|              | 7-16 side:    | IEC 61169-4, EN 122190, DIN 47223 |

**Documents**

N/A

**Material and plating**

**Connector parts**

Center contact  
Outer contact  
Dielectric  
Gasket

**Material**

CuBe  
Brass  
PTFE  
Silicone

**Plating**

Silver, 3-6 µm  
Flash white bronze over silver(e.g. Optargen®)

Dieses Dokument ist urheberrechtlich geschützt • This document is protected by copyright • Rosenberger Hochfrequenztechnik GmbH & Co. KG

RFB00035/12.20/6.4

# Technical Data Sheet

# Rosenberger

7-16 Adaptor  
4.1-9.5 7-16 Plug – 4.1-9.5 Jack

## 60S165-KIMN1

### Electrical data

|  |   |
|--|---|
| Impedance                                      | 50 Ω  |
| Frequency                                      | DC to 7.5 GHz   |
| Return loss                                    | ≥ 35 dB @ DC to 1 GHz<br>≥ 32 dB @ 1 GHz to 4 GHz<br>≥ 22 dB @ 4 GHz to 7.5 GHz |
| Insertion loss                                 | ≤ 0.1 x √f [GHz] dB   |
| Insulation resistance                          | ≥ 5 GΩ  |
| Center contact resistance                      | ≤ 1 mΩ  |
| Outer contact resistance                       | ≤ 1.5 mΩ  |
| Working voltage (at sea level)                 | 500 V rms   |
| Power handling (at 20 °C, sea level, VSWR 1.0) | 1000 W @ 2 GHz  |
| RF-leakage                                     | ≥ 128 dB @ DC to 1 GHz  |
| Intermodulation (3 <sup>rd</sup> order)        | ≥ 168 dBc (2 x 43 dBm)  |

### Mechanical data

|                                       |             |
|---------------------------------------|-------------|
| Mating cycles                         | ≥ 500       |
| Center contact captivation: axial     | ≥ 200 N     |
| radial                                | ≥ 2 Ncm     |
| Coupling torque (recommended) 4.1-9.5 | 10 Nm       |
| 7-16                                  | 25 to 30 Nm |
| Proof torque 4.1-9.5                  | 15 Nm       |
| 7-16                                  | ≤ 35 Nm     |

### Environmental data

|                                   |   |
|-----------------------------------|---|
| Temperature range                 | -55 °C to +155 °C                           |
| Rapid change of temperature       | DIN EN 122190, Sub-clause 4.6.7             |
| Corrosion resistance              | DIN EN 122190, Sub-clause 4.6.10            |
| Vibration                         | DIN EN 122190, Sub-clause 4.6.3             |
| Climatic category                 | DIN EN 122190, Sub-clause 4.6.5 (55/155/56) |
| Damp heat                         | DIN EN 122190, Sub-clause 4.6.6             |
| Degree of protection (mated pair) | IEC 60529, IP68 2.5 bar                     |
| RoHS                              | compliant                                   |

### Tooling

N/A

### Suitable cables

N/A

### Weight

Weight 77.74 g/pce

While the information has been carefully compiled to the best of our knowledge, nothing is intended as representation or warranty on our part and no statement herein shall be construed as recommendation to infringe existing patents. In the effort to improve our products, we reserve the right to make changes judged to be necessary.

For the installation of the electrotechnical equipment, particular electrotechnical expertise is required.



| Draft  | Date     | Approved    | Date     | Rev. | Engineering change number | Name   | Date          |
|--|----------|-------------|----------|------|---------------------------|--|---------------|
| M. Wimmer  | 12.10.12 | Chr. Janßen | 02.03.21 | d00  | 20-1927                   | S. Huber-Siegl   | 02.03.21      |
| Rosenberger Hochfrequenztechnik GmbH & Co. KG<br>P.O.Box 1260 D-84526 Tittmoning Germany<br><a href="http://www.rosenberger.com">www.rosenberger.com</a> |          |             |          |      |                           | Tel. : +49 8684 18-0<br>Email : <a href="mailto:info@rosenberger.com">info@rosenberger.com</a> |               |
|  |          |             |          |      |                           |  | Page<br>2 / 2 |