

6

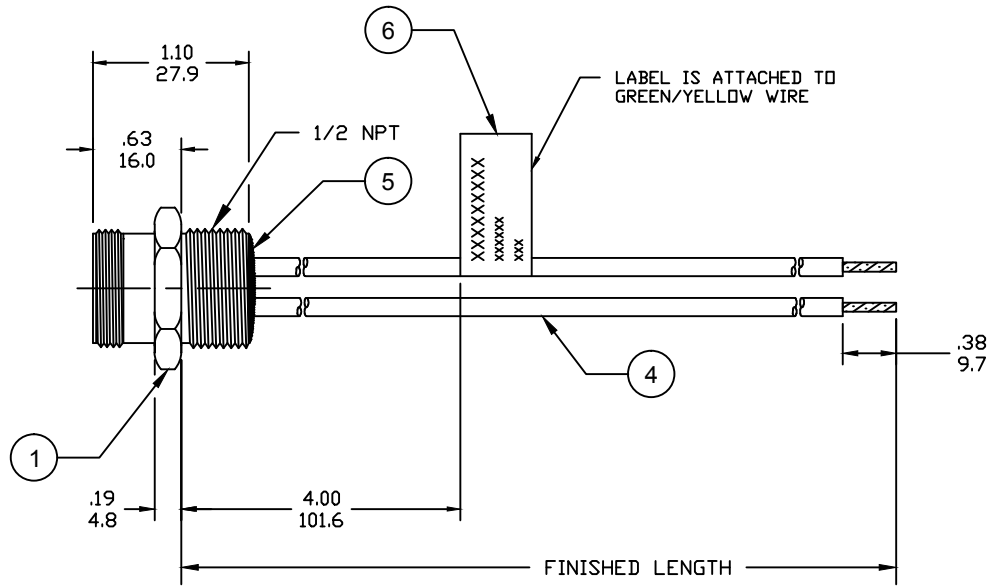
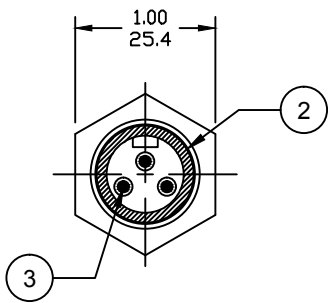
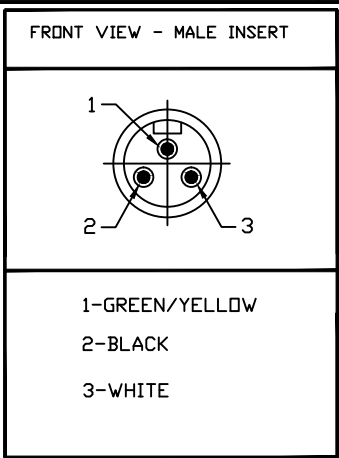
5

4

3

2

1



NOTES:

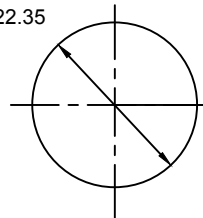
- 1. MATERIAL: AS NOTED
- 2. FINISH: AS NOTED
- 3. ELECTRICAL:  
VOLTAGE: 400V PER IEC60664  
600V PER UL2237  
CURRENT: 15A
- 4. TEMP RATING: -20°TO +90°C
- 5. PROTECTION: IP67 (WHEN MATED)
- 6. COUPLING THREAD: 7/8-16UN
- 7. ALL DIMS ARE FOR REFERENCE UNLESS NOTED OTHERWISE

PART NUMBER LEGEND

1R3006A28M005G

FINISHED LENGTH:  
M005= 0.5 METER  
M010= 1 METER  
M100= 10 METER

Ø.880  
22.35



REF. KNOCKOUT HOLE

A

6	FLAG LABEL	VINYL	BLACK/YELLOW
5	POTTING MATERIAL	EPDXY	
4	WIRE, 14 AWG (THHN)	PVC INSULATION	SEE FACE VIEW
3	CONTACT PIN	COPPER ALLOY	GOLD PLATED
2	MALE INSERT	PVC	BLACK
1	RECEPTACLE SHELL	ZINC DIE-CAST	BLACK
ITEM	DESCRIPTION	MATERIAL	FINISH

RELEASED	EC NO: IPC2017-0655
DRWN: RSTONE	2017/01/11
CHKD: M ZIELIN	2017/01/26
APPR: BWOODMAN	2017/01/26
REV	DESCRIPTION
A	

QUALITY SYMBOLS
▽=0
▽C=0

GENERAL TOLERANCES (UNLESS SPECIFIED)	
	mm INCH
4 PLACES	±--- ±---
3 PLACES	±--- ±---
2 PLACES	±--- ±---
1 PLACE	±--- ±---
ANGULAR ±---°	
DRAFT WHERE APPLICABLE MUST REMAIN WITHIN DIMENSIONS	

DIMENSION STYLE INCH/MM	
DRAWN BY	DATE
RSTONE	2017/01/11
CHECKED BY	DATE
M ZIELIN	2017/01/26
APPROVED BY	DATE
BWOODMAN	2017/01/26
MATERIAL NO.	---
SIZE	A

SCALE ---	DESIGN UNITS INCH	THIRD ANGLE PROJECTION
TITLE		
MINI-CHANGE RECEPTACLE MALE, 3P, 14 AWG 1/2 NPT, AC COLOR		
MOLEX MOLEX INCORPORATED		
DOCUMENT NO.	SHEET NO.	
SD-130066-079	1 OF 1	
THIS DRAWING CONTAINS INFORMATION THAT IS PROPRIETARY TO MOLEX INCORPORATED AND SHOULD NOT BE USED WITHOUT WRITTEN PERMISSION		

6

5

4

3

2

1