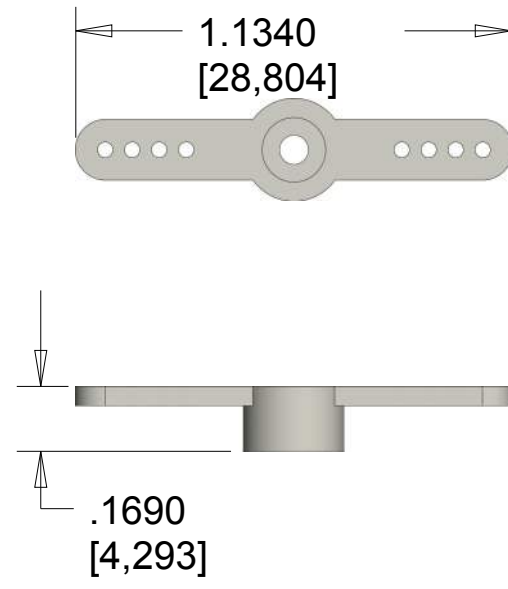
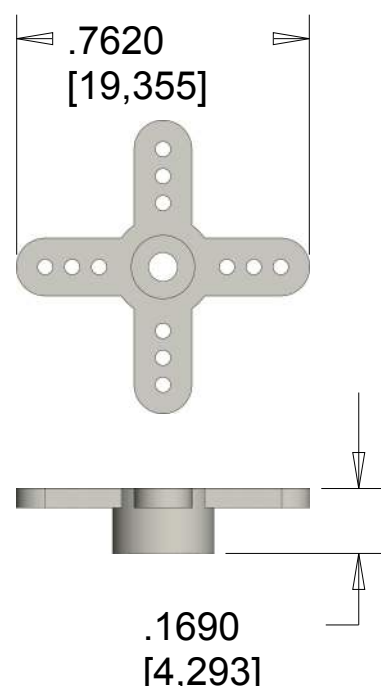
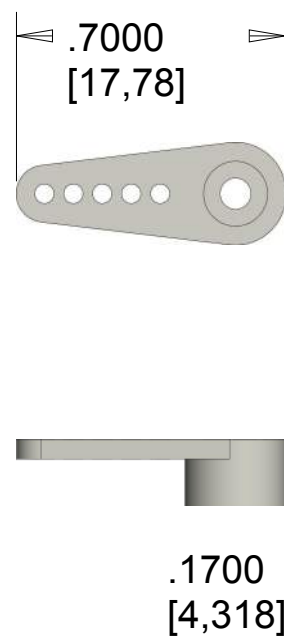
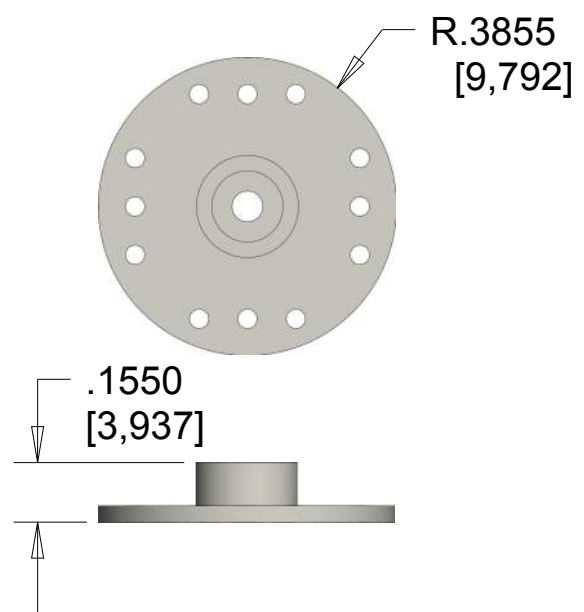


SCALE 2.000

SCALE 4.000



- Features —
- Voltage: 4.8-6.0 Volts
 - Torque: 16.6/20.8 oz-in. (4.8/6.0V)
 - Speed: 0.15/0.10 sec/60° (4.8/6.0V)
 - Rotation: ~160°
 - Single Top Ball Bearing
 - Nylon Gears
 - 3-Pole Ferrite Motor

- Includes —
- 1x Micro Servo
 - 1x Single Arm Micro Horn
 - 1x Double Arm Micro Horn
 - 1x Four Point Micro Horn
 - 1x Circle Micro Horn
 - 2x 2x8mm Phillips Screw

This servo is rated for 180° rotation, but in actuality it only hits ~160° NOTES:	MATERIAL:	Plastic + Metal	MODEL NAME:	Servo - Small
	Here is a simple, low-cost, high quality servo for all your mechatronic needs. This servo is very similar in size and specifications to the Hitec HS-55. This little guy is able to take in 6 volts and deliver 20.8 oz-in. of maximum torque at 0.10 sec/60° This small servo comes with a standard 3 pin power and control cable.		https://www.sparkfun.com/products/9065	
	DESCRIPTION:		ROB-09065	
	DRAWN BY:	Paul Smith	PAGE SIZE C 22 x 17 INCH	
DATE:	16 July 2013	SCALE: variable UNITS: inch [mm]		
CAD APPLICATION: Creo Parametric 2.0		VER:	1.0	SHEET 1 / 1